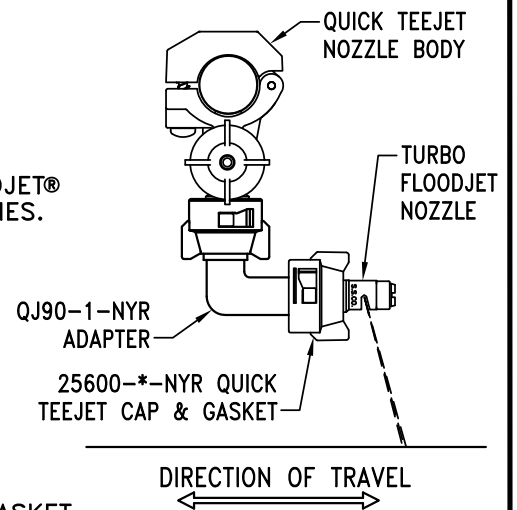


FEATURES:

- FITS STANDARD QUICK TEEJET BODIES FOR EASY USE.
- NYLON BODY CONSTRUCTION FOR STRENGTH AND DURABILITY, WITH EPDM GASKET (VITON® OPTIONAL).
- OUTLET CAN BE FITTED WITH QUICK TEEJET CAPS AND TEEJET SPRAY TIPS.
- ONE-PIECE, 90° ELBOW IS IDEAL FOR INSTALLATION OF TK-VS FLOODJET® AND TF-VS OR TF-VP TURBO FLOODJET® NOZZLES ON SINGLE OR MULTIPLE OUTLET NOZZLE BODIES. PROPER ORIENTATION OF SPRAY TIP ENHANCES SPRAY DISTRIBUTION QUALITY.
- ADAPTER OUTLET ACCEPTS STANDARD TIP STRAINERS.
- MAXIMUM PRESSURE: 300 PSI.

TYPICAL SETUP:



HOW TO ORDER:

QJ90-1-NYR - 90° QUICK TEEJET ADAPTER WITH EPDM GASKET

VITON® IS A TRADEMARK OF DUPONT PERFORMANCE ELASTOMERS

DESCRIPTION:

**QJ90-1-NYR
QUICK TEEJET®
90° SINGLE OUTLET
ADAPTER CAP**



Spraying Systems Co.®

Spray Nozzles and Accessories
P.O. Box 7900 - Wheaton, Il. 60189-7900

Rev. No.

DATA SHEET

Ref.

QJ90-1

SHEET OF