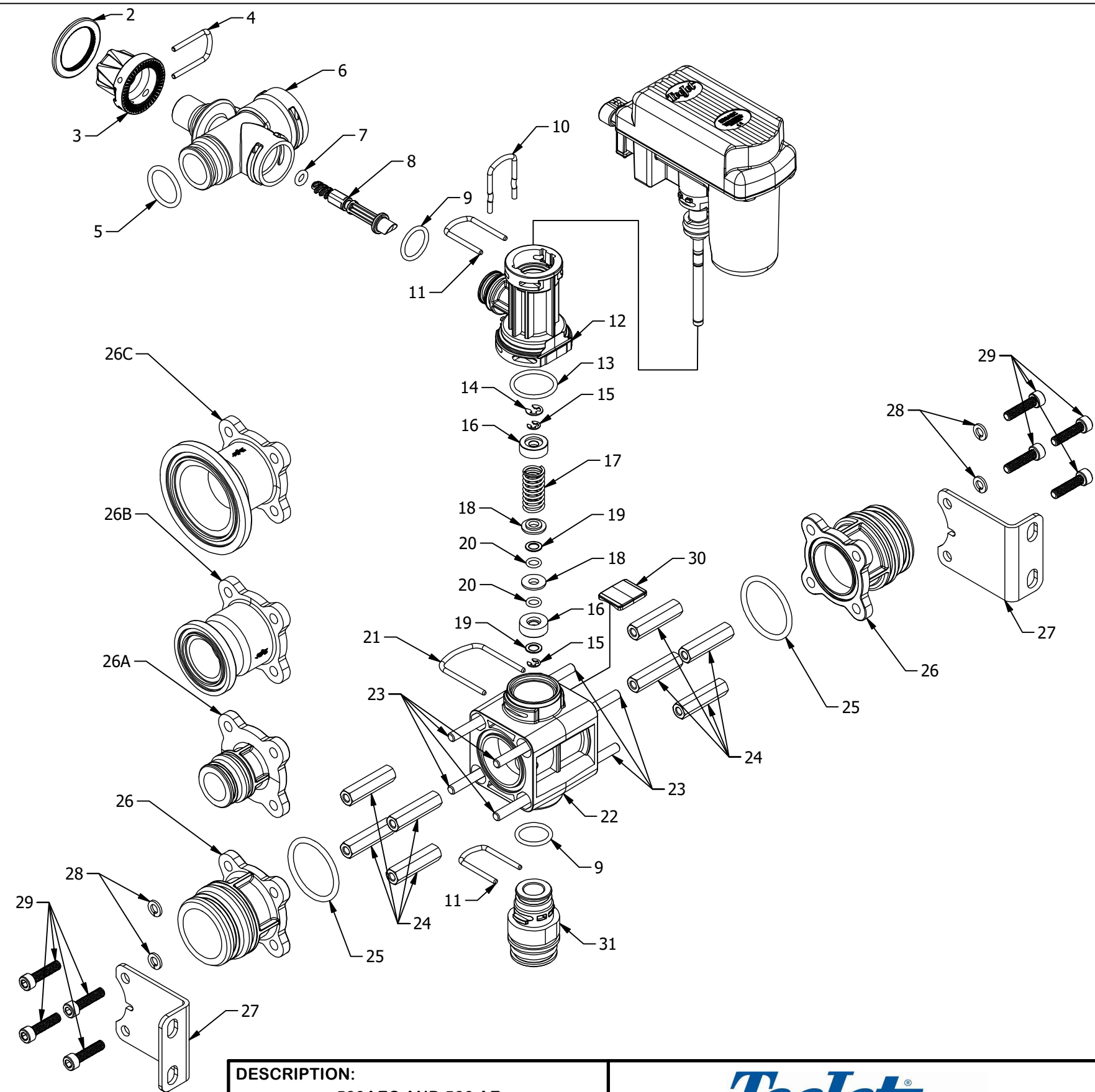


ITEM	PART NUMBER	DESCRIPTION
1	118541-E_-*	ELECTRIC REPLACEMENT VALVE (SPECIFY "E" OR "EC" MOTOR AND CONNECTION TYPE)
2	CP58463-NY	REGULATED BYPASS INDICATOR RING, NYLON (BLACK)
3	CP58462-PP	REGULATED BYPASS DIAL, CELCON (GRAY)
4	CP58464-302SS	REGULATED BYPASS DIAL CLIP, 302 STAINLESS STEEL
5	CP7717-3-912-VI	O-RING, FKM
6	N/A	REGULATED BYPASS BODY, POLYPROPYLENE (BLACK)
7	CP7717-2-107-VI	O-RING, FKM
8	CP58461-PP	REGULATED BYPASS PLUNGER, POLYPROPYLENE (BLACK)
9	CP7717-2/116-VI	O-RING, FKM (2 REQ'D)
10	CP115565-304SS	BYPASS RETAINING CLIP, 304 STAINLESS STEEL
11	CP58457-304SS	MOTOR RETAINING CLIP, 304 STAINLESS STEEL (2 REQ'D)
12	N/A	3-WAY ADAPTER, POLYPROPYLENE (BLACK)
13	CP7717-2/120-VI	O-RING, FKM
14	N/A	RETAINING RING, 15-7 STAINLESS STEEL
15*	SEE REPAIR KIT	RETAINING RING, 15-7 STAINLESS STEEL (2 REQ'D)
16*	SEE REPAIR KIT	STEM SEAT WASHER, VITON (2 REQ'D)
17*	SEE REPAIR KIT	SPRING, 302 STAINLESS STEEL
18*	SEE REPAIR KIT	WASHER, POLYPROPYLENE (2 REQ'D)
19*	SEE REPAIR KIT	WASHER, 303 STAINLESS STEEL (2 REQ'D)
20*	SEE REPAIR KIT	O-RING, FKM (2 REQ'D)
21	CP115569-SS	CLIP, 304 STAINLESS STEEL
22	CP115540-1-PP	VALVE BODY, POLYPROPYLENE (BLACK)
23	SEE HARDWARE KIT	M6x1 THREADED ROD, ZINC PLATED STEEL
24	SEE HARDWARE KIT	M6x1 METRIC HEX STAND OFF, ZINC PLATED STEEL
25	CP7717-2/222-VI	O-RING, FKM (2 REQ'D)
26	CP98497-PP	MALE LQC BOLTED FLANGED ADAPTER, POLYPROPYLENE (BLACK, 2 REQ'D)
26A	CP98542-NYB	MALE QC BOLTED FLANGED ADAPTER, NYLON (BLACK, 2 REQ'D)
26B	CP98491-PP	50 SERIES FLANGED ADAPTER, POLYPROPYLENE (BLACK, 2 REQ'D)
26C	CP98490-NYB	75 SERIES FLANGED ADAPTER, NYLON (BLACK, 2 REQ'D)
27	SEE HARDWARE KIT	MOUNTING BRACKET, 304 STAINLESS STEEL (2 REQ'D)
28	SEE HARDWARE KIT	M6 LOCK WASHER, 302 STAINLESS STEEL (4 REQ'D)
29	SEE HARDWARE KIT	SCREW, 18-8 STAINLESS STEEL (8 REQ'D)
30	CP115547-NYB	ALIGNMENT PIECE, NYLON (BLACK, 1 REQ'D FOR EACH SECTION MORE THAN 1)
31	CP115541-NYB	VALVE BODY OUTLET, NYLON (BLACK)
118549-53*A - HARDWARE KIT: * SPECIFY NUMBER OF SECTIONS (INCLUDES ITEMS 23, 24, 27, 28 & 29)		
AB-C530A-3-KIT - REPAIR KIT (INCLUDES ITEMS MARKED WITH *)		

NOTE: REPLACEMENT VALVE (ITEM 1) INCLUDES MOTOR & ITEMS 2-22, & 31.  
MOTOR UNAVAILABLE FOR PURCHASE SEPARATELY.



**DESCRIPTION:**  
530AEC AND 530 AE  
3-WAY DIRECTOVALVE®  
ELECTRIC SHUT-OFF  
PLUNGER VALVE

**TeeJet**  
TECHNOLOGIES

REVISION NO.	1	Parts List No.	<b>PL530AEC-3</b>
REFERENCE:	6/11/25	SHEET:	1 OF 1
		DWG SIZE:	B