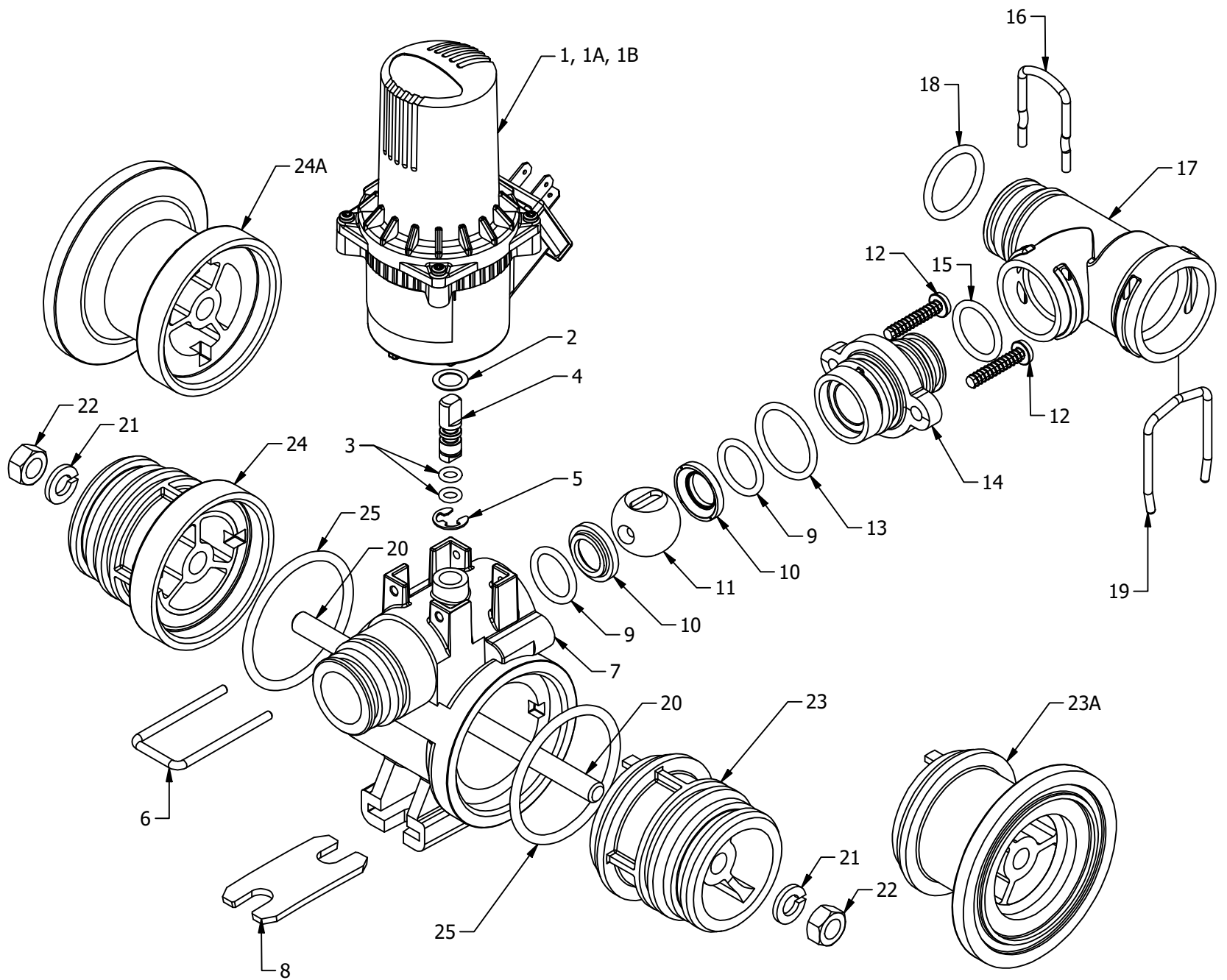



ITEM	PART NO.	DESCRIPTION
1	58445	EC MOTOR, 22-RPM (0.7-SEC), DIN CONNECTION, POSITIVELY SWITCHED
1A	58446	E MOTOR, 22-RPM (0.7-SEC), DIN CONNECTION, POSITIVELY SWITCHED
1B	58447	EC MOTOR, 22-RPM (0.7-SEC), DIN CONNECTION, NEGATIVELY SWITCHED
2	CP58436-302SS	FLAT WASHER, 302 STAINLESS STEEL
3	CP7717-M4.8X1 .8-VI	O-RING, VITON (2 REQ'D)
4	CP58435-SS	STEM, 303 STAINLESS STEEL
5	CP58469-SS	E-CLIP RETAINING RING, 17PH STAINLESS STEEL
6	CP58450-302SS	MOTOR RETAINING CLIP, 302 STAINLESS STEEL
7	CP58431-PP	VALVE BODY, POLYPROPYLENE (BLACK)
8	CP50507-304SS	MOUNTING PLATE, 304 STAINLESS STEEL
9	CP7717-2/115-VI	O-RING, VITON (2 REQ'D)
10	CP58434-TEF	SEAL, TEFLON (2 REQ'D)
11	CP58459-SS	FLOWBACK BALL, 303 STAINLESS STEEL
12	CP58465-302SS	SCREW, 302 STAINLESS STEEL (2 REQ'D)
13	CP7717-2/120-VI	O-RING, VITON
14	CP58455-NYB	BYPASS END CAP, NYLON (BLACK)
15	CP7717-2/116-VI	O-RING, VITON
16	CP115565-304SS	BYPASS RETAINING CLIP, 304 STAINLESS STEEL
17	CP58458-PP	FLOWBACK MAINFOLD BODY, POLYPROPYLENE (BLACK)
18	CP7717-3-912-VI	O-RING, VITON
19	CP37166-1-302SS	FLOW BACK RETAINING CLIP, 302 STAINLESS STEEL
20	CP58468-1-SS	ONE BANK MANIFOLD CONNECTING ROD, 303 STAINLESS STEEL
20A	CP58468-2-SS	TWO BANK MANIFOLD CONNECTING ROD, 303 STAINLESS STEEL
20B	CP58468-3-SS	THREE BANK MANIFOLD CONNECTING ROD, 303 STAINLESS STEEL
20C	CP58468-4-SS	FOUR BANK MANIFOLD CONNECTING ROD, 303 STAINLESS STEEL
20D	CP58468-5-SS	FIVE BANK MANIFOLD CONNECTING ROD, 303 STAINLESS STEEL
20E	CP58468-6-SS	SIX BANK MANIFOLD CONNECTING ROD, 303 STAINLESS STEEL
20F	CP58468-7-SS	SEVEN BANK MANIFOLD CONNECTING ROD, 303 STAINLESS STEEL
20G	CP58468-8-SS	EIGHT BANK MANIFOLD CONNECTING ROD, 303 STAINLESS STEEL
20H	CP58468-9-SS	NINE BANK MANIFOLD CONNECTING ROD, 303 STAINLESS STEEL
21	CP58555-SS	MS SPLIT LOCK WASHER (2 REQ'D)
22	CP46074-302SS	M8X1 .25 HEX NUT, 302 STAINLESS STEEL (2 REQ'D)
23	CP58437-PP	MALE INLET ADAPTER, POLYPROPYLENE (BLACK)
23A	CP98503-NYB	75 FLANGE MALE ADAPTER, NYLON (BLACK)
24	CP58438-PP	FEMALE INLET ADAPTER, POLYPROPYLENE (BLACK)
24A	CP98502-NYB	75 FLANGE FEMALE ADAPTER, NYLON (BLACK)
25	CP7717-2-225-VI	O-RING, VITON (2 REQ'D)
	58471	VALVE BODY SUB-ASS'Y, INCLUDES ITEMS (2-5, 7-18)
AB430-KIT, SPARE PARTS KIT (INCLUDES ITEMS 3 ,9, 10)		
58562, 430 FLOW BACK BALL & STEM KIT (INCLUDES ITEMS 2, 3, 4, 5, 11)		
58563, INLET ADAPTER KIT (INCLUDES ITEMS 23, 24, 25)		
58564-3, THREE VALVE MANIFOLD ASSEMBLY KIT (INCLUDES ITEMS 20-25)		
58564-5, FIVE VALVE MANIFOLD ASSEMBLY KIT (INCLUDES ITEMS 20-25)		
58564-7, SEVEN VALVE MANIFOLD ASSEMBLY KIT (INCLUDES ITEMS 20-25)		
58564-9, NINE VALVE MANIFOLD ASSEMBLY KIT (INCLUDES ITEMS 20-25)		

NOTE: ALL MANIFOLD ASSEMBLY KITS (58564-\*) INCLUDE THE CORRECT ROD (ITEM 20) AND TWO PIECES OF ITEMS 21, 22, & 25.



ASSEMBLY NOTE: WHEN ASSEMBLING THE MANIFOLD, CENTER THE CONNECTING ROD (ITEM 20) BEFORE TIGHTENING HEX NUTS (ITEM 22).

<b>DESCRIPTION:</b> <b>430EC AND 430E          THREE WAY FLOW BACK          DIRECTOVALVE®          ELECTRIC SHUT-OFF          BALL VALVE MANIFOLD</b>		
	REVISION NO. <b>6</b>	Parts List No. <b>PL430EC-3FB</b>
REFERENCE: 1/26/26	SHEET: <b>1 OF 1</b>	DWG SIZE: <b>B</b>