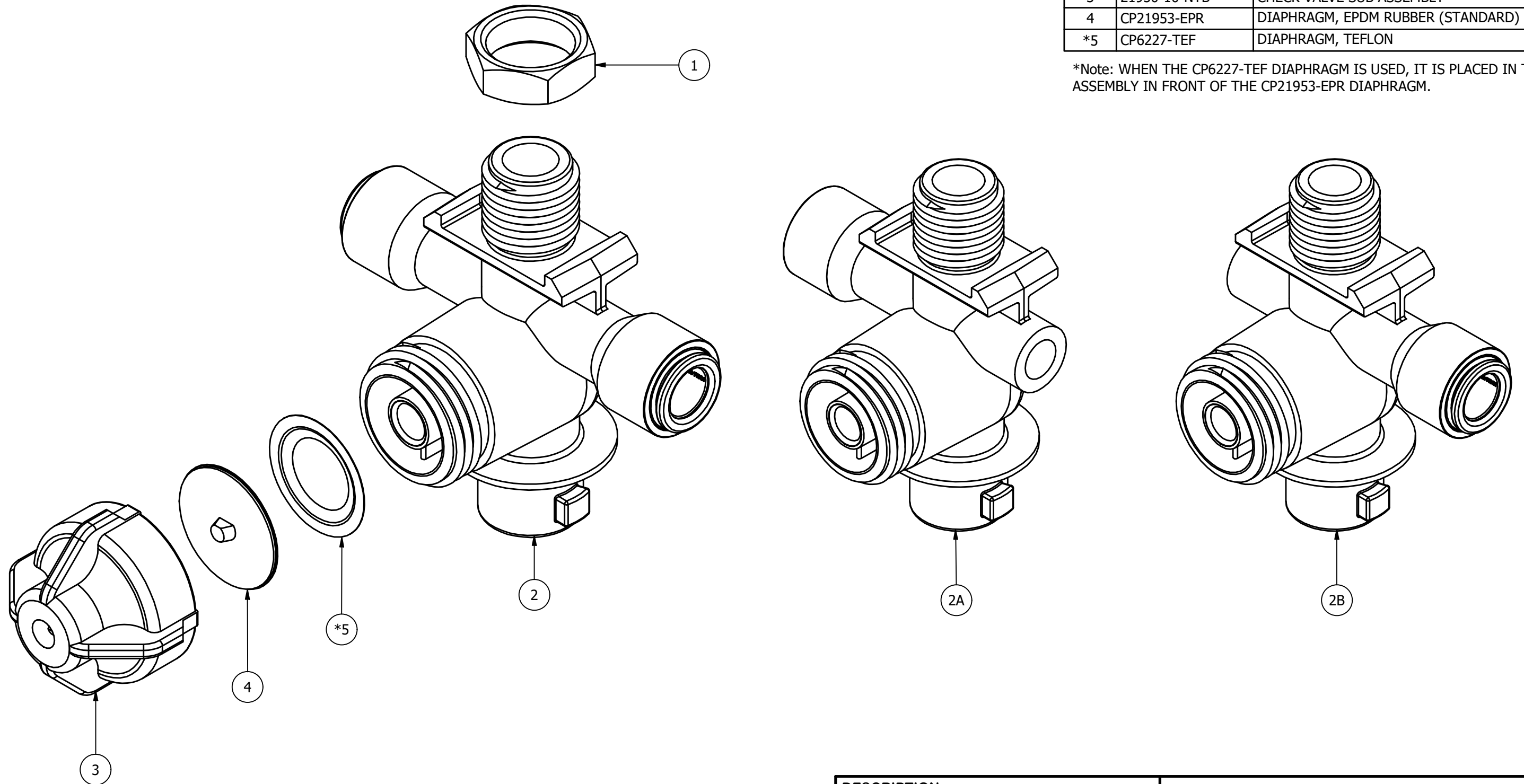


| ITEM | PART NO. | DESCRIPTION |
|------|-------------------|--|
| 1 | CP39689 | 11/16-16 NUT, BRASS |
| 2 | 116914-2-3/8-NYB | DOUBLE PTC BODY, NYLON (BLACK) |
| 2A | 116914-1R-3/8-NYB | SINGLE (RIGHT) PTC BODY, NYLON (BLACK) |
| 2B | 116914-1L-3/8-NYB | SINGLE (LEFT) PTC BODY, NYLON (BLACK) |
| 3 | 21950-10-NYB | CHECK VALVE SUB ASSEMBLY |
| 4 | CP21953-EPR | DIAPHRAGM, EPDM RUBBER (STANDARD) |
| *5 | CP6227-TEF | DIAPHRAGM, TEFLON |

*Note: WHEN THE CP6227-TEF DIAPHRAGM IS USED, IT IS PLACED IN THE ASSEMBLY IN FRONT OF THE CP21953-EPR DIAPHRAGM.



| | | | |
|---|--------|-----------------------|---|
| DESCRIPTION: QJ39685 PTC SERIES DIAPHRAGM CHECK VALVE | | | |
| REVISION NO. | | Parts List No. | |
| REFERENCE: | 8/7/24 | PL QJ39685-PTC | |
| SHEET: | 1 OF 1 | DWG SIZE: | B |