

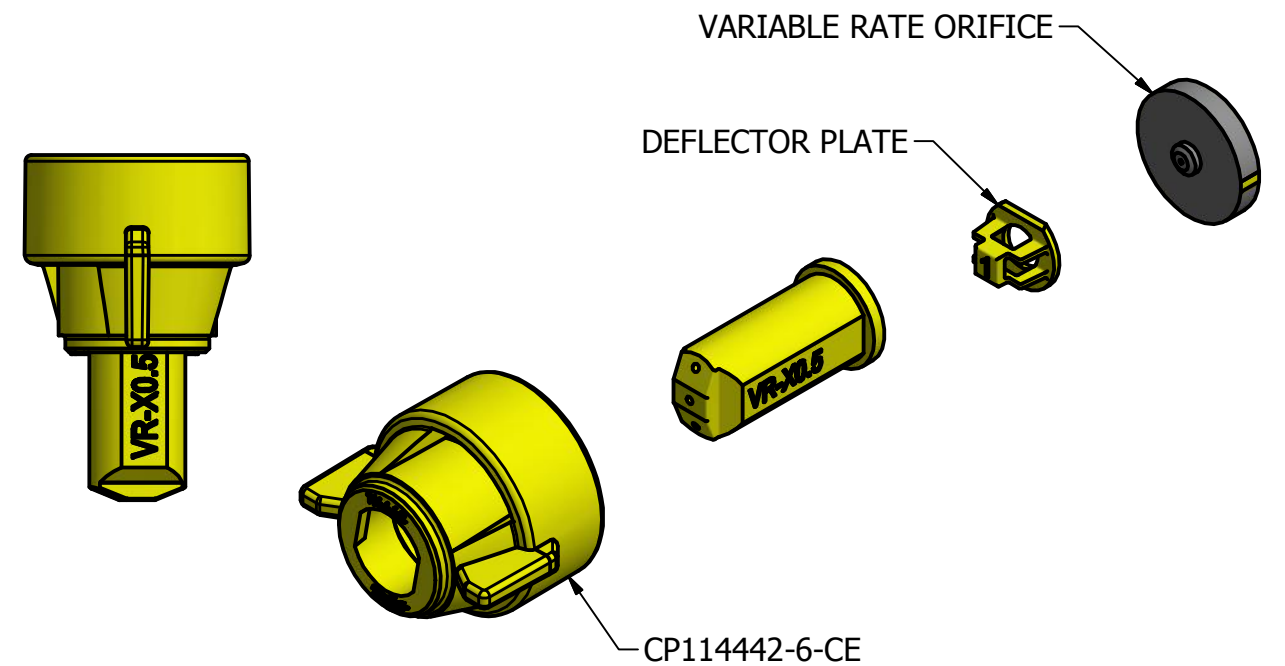
# SJ3-VR-X0.5 VARIABLE RATE STREAMJET

## FEATURES:

- DESIGNED FOR USE IN FLOWMETER-BASED APPLICATION SYSTEMS
- CREATES THREE IDENTICAL FLUID STREAMS OF EQUAL VELOCITY AND CAPACITY
- EXCELLENT SPRAY DISTRIBUTION QUALITY
- REMOVABLE VARIABLE RATE ORIFICE (EPDM) FOR EASY CLEANING
- VARIABLE RATE FOR A WIDE RANGE OF APPLICATION SPEEDS AND RATES
- NYLON, ACETAL & EPDM CONSTRUCTION FOR EXCELLENT CHEMICAL RESISTANCE
- RECOMMENDED OPERATING PRESSURE: 20 - 100 PSI (1.5 - 7.0 BAR) FOR OPTIMUM STREAM PERFORMANCE

## TYPICAL APPLICATIONS:

- EXCELLENT FOR VARIABLE RATE APPLICATION OF LIQUID FERTILIZER
- EXCELLENT FOR MAINTAINING A FIXED RATE OVER A WIDE RANGE OF SPEEDS



SJ3-VR-X0.5 VARIABLE RATE STREAMJET										
TIP NO. (STRAINER MESH SIZE)	LIQUID PRESSURE IN PSI	CAPACITY 1 NOZZLE IN GPM	20" SPACING							
			GALLONS PER ACRE							
			5 MPH	6 MPH	7 MPH	8 MPH	10 MPH	12 MPH	16 MPH	20 MPH
SJ3-VR-X0.5 (50)	20	0.13	7.7	6.4	5.5	4.8	3.9	3.2	2.4	1.9
	30	0.16	9.5	7.9	6.8	5.9	4.8	4.0	3.0	2.4
	40	0.18	10.7	8.9	7.6	6.7	5.3	4.5	3.3	2.7
	50	0.21	12.5	10.4	8.9	7.8	6.2	5.2	3.9	3.1
	60	0.24	14.3	11.9	10.2	8.9	7.1	5.9	4.5	3.6
	70	0.28	16.6	13.9	11.9	10.4	8.3	6.9	5.2	4.2
	80	0.32	19.0	15.8	13.6	11.9	9.5	7.9	5.9	4.8
	90	0.37	22	18.3	15.7	13.7	11.0	9.2	6.9	5.5
	100	0.42	25	21	17.8	15.6	12.5	10.4	7.8	6.2

- \* APPLICATION DATA IS BASED ON SPRAYING WATER AT 70 DEG F (21 DEG C).
- \* DEFLECTOR PLATE REQUIRED TO MAINTAIN PUBLISHED FLOW RATES AND STEADY STREAM.
- \* NOTE: FOR 15 INCH TIP SPACING MULTIPLY CHART VALUES BY 1.33.  
FOR 30 INCH TIP SPACING MULTIPLY CHART VALUES BY 0.67.
- \* SEE DS50050 FOR ADDITIONAL INFORMATION ON SJ3 FIXED RATE STREAMJET.

OPTIMUM SPRAY HEIGHT	
NOZZLE SPACING	SPRAY HEIGHT
20"	20"
30"	30"
40"	40"

- \* FOR BEST SPRAY DISTRIBUTION MAINTAIN A 1:1 RATIO OF TIP HEIGHT TO TIP SPACING.

## FERTILIZER SPECIFIC GRAVITY CONVERSION FACTORS:

WEIGHT OF SOLUTION	SPECIFIC GRAVITY	CONVERSION FACTOR
7.0 LBS./GAL.	0.84	0.92
8.0 LBS./GAL.	0.96	0.98
8.34 LBS./GAL.	1.00-WATER	1.00
9.0 LBS./GAL.	1.08	1.04
10.0 LBS./GAL.	1.20	1.10
10.65 LBS./GAL.	1.28-28% NITROGEN	1.13
11.0 LBS./GAL.	1.32	1.15
12.0 LBS./GAL.	1.44	1.20
14.0 LBS./GAL.	1.68	1.30

NOTE: CONVERSION FACTORS MUST BE USED WHEN SPRAYING SOLUTIONS HEAVIER OR LIGHTER THAN WATER. FIRST, MULTIPLY DESIRED APPLICATION RATE BY THE APPROPRIATE CONVERSION FACTOR ABOVE. THEN USE THE NEW APPLICATION RATE TO SELECT THE MOST APPROPRIATE OPERATING PRESSURE FROM THE APPLICATION CHART ON THIS PAGE.

DESCRIPTION:  APPLICATION RATES FOR SJ3-VR-X0.5 VARIABLE RATE 3-ORIFICE FERTILIZER NOZZLE		
	REVISION NO. 1	DATASHEET <b>DSSJ3-VR-X0.5</b>
	REFERENCE: 9/6/17	SHEET: DWG SIZE: B