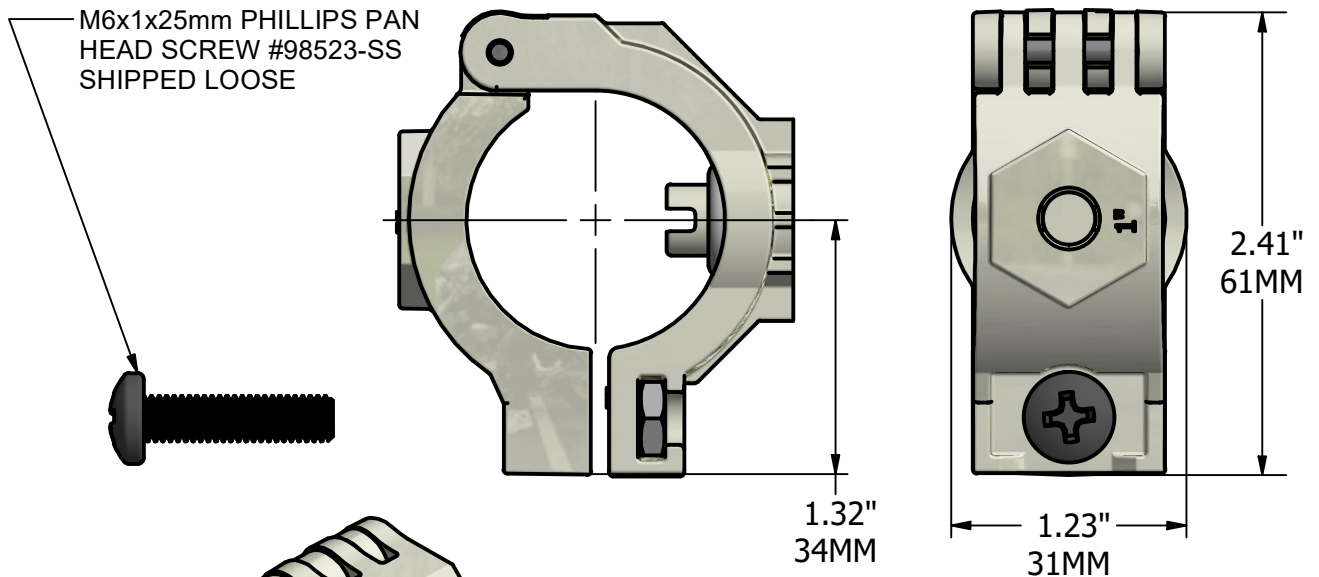
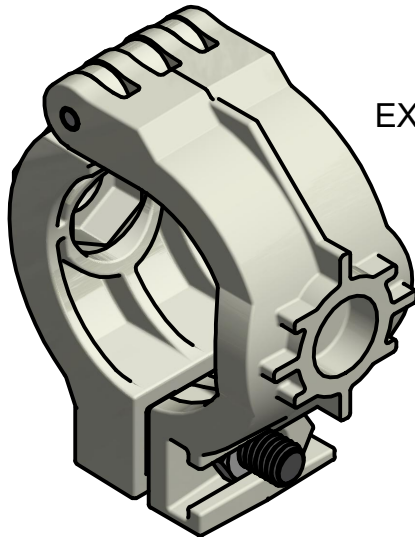


QJS BLANK SPLIT EYELET FOR 1" WET BOOM

- * MADE OF CORROSION RESISTANT MATERIALS.
- * WETTED PARTS ARE NYLON AND VITON® .
- * ATTACHES TO BOOM WITH M6-25mm STAINLESS STEEL PHILLIPS SCREW, AND M6x1mm NUT WHICH IS FIXED INTO LOWER BODY CLAMP
- * STANDARD O-RINGS MADE OF VITON® .
- * MAXIMUM OPERATING PRESSURE 300 PSI (20 BAR).
- * FITS 1" PIPE ONLY.
- * NOTE: FOR "HOW TO ORDER" INSTRUCTIONS PLEASE SEE DATA SHEET DS58585.



EXAMPLE PART #: QJS-P-1



INSTALLATION NOTE:

- PLACE SCREW IN NUT AND BEGIN TURNING BY HAND (1-2 TURNS) TO ENSURE PROPER ENGAGEMENT BEFORE USING A LOW SPEED TORQUE GUN.
- TORQUE TO 20-23 IN-LBS.

VITON® IS A REGISTERED TRADEMARK OF DUPONT PERFORMANCE ELASTOMERS, INC.

DESCRIPTION:

QJS-P BLANK
SPLIT EYELET ASSEMBLY



Spraying Systems Co.®

Spray Nozzles and Accessories
P.O. Box 7900 - Wheaton, IL 60189-7900

REVISION NO.

3

REFERENCE:

10/14/24

DATA SHEET

DSQJS-P

SHEET:

1 OF 1

DWG SIZE:

A