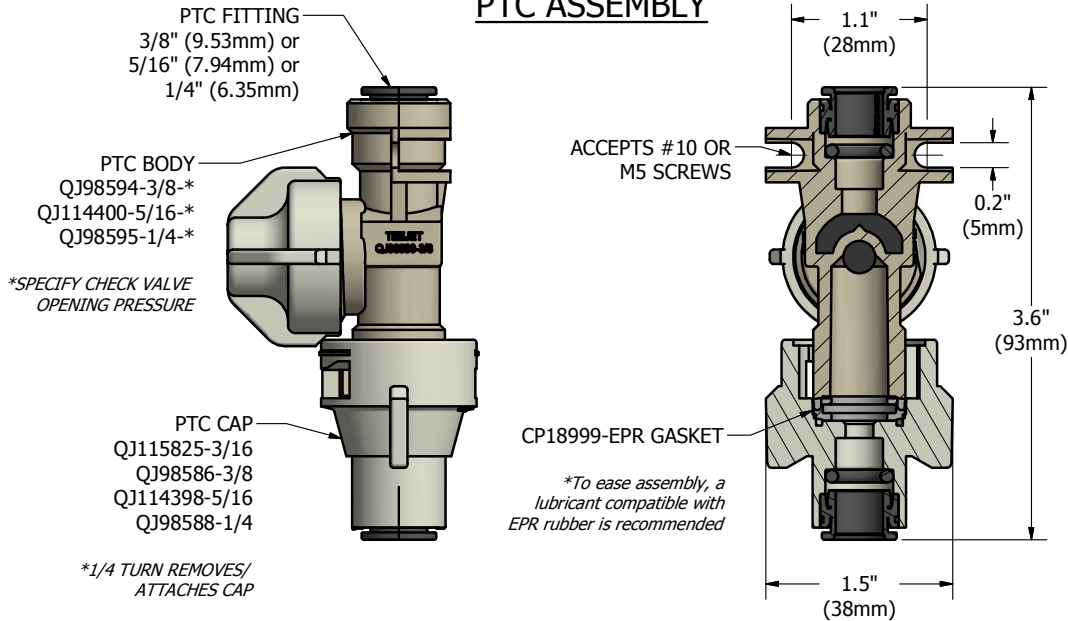
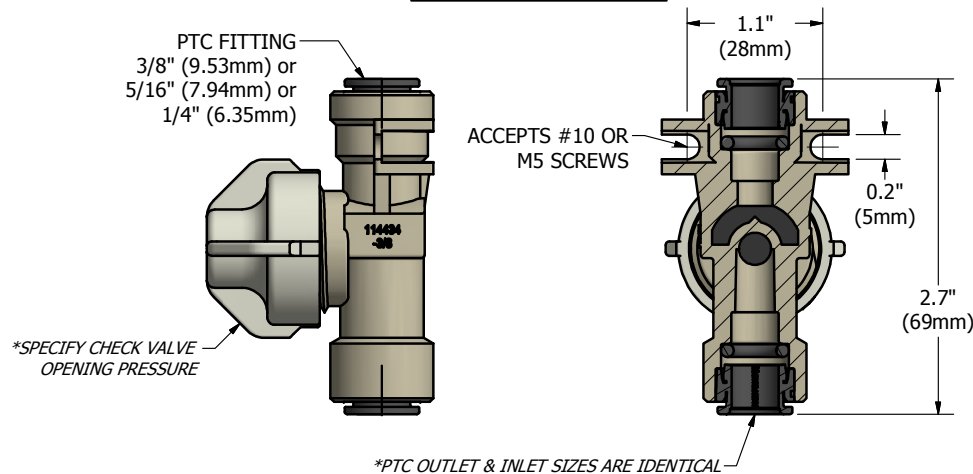


PTC ASSEMBLY



PTC x PTC BODY



HOW TO ORDER

PART NUMBER	DESCRIPTION	OPENING PSI	TUBING OD
QJ98595-1/4-2	PTC ASSEMBLY	2 PSI CHECK	1/4" OD TUBING
QJ98595-1/4-5	PTC ASSEMBLY	5 PSI CHECK	1/4" OD TUBING
QJ98595-1/4-10	PTC ASSEMBLY	10 PSI CHECK	1/4" OD TUBING
QJ114401-5/16-2	PTC ASSEMBLY	2 PSI CHECK	5/16" OD TUBING
QJ114401-5/16-5	PTC ASSEMBLY	5 PSI CHECK	5/16" OD TUBING
QJ114401-5/16-10	PTC ASSEMBLY	10 PSI CHECK	5/16" OD TUBING
QJ98594-3/8-2	PTC ASSEMBLY	2 PSI CHECK	3/8" OD TUBING
QJ98594-3/8-5	PTC ASSEMBLY	5 PSI CHECK	3/8" OD TUBING
QJ98594-3/8-10	PTC ASSEMBLY	10 PSI CHECK	3/8" OD TUBING
QJ98592-1/4-2	PTC BODY	2 PSI CHECK	1/4" OD TUBING
QJ98592-1/4-5	PTC BODY	5 PSI CHECK	1/4" OD TUBING
QJ98592-1/4-10	PTC BODY	10 PSI CHECK	1/4" OD TUBING
QJ114400-5/16-2	PTC BODY	2 PSI CHECK	5/16" OD TUBING
QJ114400-5/16-5	PTC BODY	5 PSI CHECK	5/16" OD TUBING
QJ114400-5/16-10	PTC BODY	10 PSI CHECK	5/16" OD TUBING
QJ98590-3/8-2	PTC BODY	2 PSI CHECK	3/8" OD TUBING
QJ98590-3/8-5	PTC BODY	5 PSI CHECK	3/8" OD TUBING
QJ98590-3/8-10	PTC BODY	10 PSI CHECK	3/8" OD TUBING
QJ115825-3/16	PTC QJ CAP	N/A	3/16" OD TUBING
QJ98588-1/4	PTC QJ CAP	N/A	1/4" OD TUBING
QJ114398-5/16	PTC QJ CAP	N/A	5/16" OD TUBING
QJ98586-3/8	PTC QJ CAP	N/A	3/8" OD TUBING
CP18999-EPR	CAP GASKET	N/A	N/A
CP18999-VI	CAP GASKET (VITON)	N/A	N/A
QJ114430-1/4-2	PTC x PTC BODY	2 PSI CHECK	1/4" OD TUBING
QJ114430-1/4-5	PTC x PTC BODY	5 PSI CHECK	1/4" OD TUBING
QJ114430-1/4-10	PTC x PTC BODY	10 PSI CHECK	1/4" OD TUBING
QJ114432-5/16-2	PTC x PTC BODY	2 PSI CHECK	5/16" OD TUBING
QJ114432-5/16-5	PTC x PTC BODY	5 PSI CHECK	5/16" OD TUBING
QJ114432-5/16-10	PTC x PTC BODY	10 PSI CHECK	5/16" OD TUBING
QJ114434-3/8-2	PTC x PTC BODY	2 PSI CHECK	3/8" OD TUBING
QJ114434-3/8-5	PTC x PTC BODY	5 PSI CHECK	3/8" OD TUBING
QJ114434-3/8-10	PTC x PTC BODY	10 PSI CHECK	3/8" OD TUBING

- 100PSI (7bar) MAX PRESSURE RATING BASED ON USE W/ LINEAR LOW DENSITY POLYETHYLENE TUBING
- PTC ASSEMBLIES INCLUDE: PTC BODY, PTC QJ CAP, & CAP GASKET
- PTC CAPS USE GASKET P/N: CP18999-EPR

TUBING RECOMMENDATIONS

- ENSURE OUTSIDE OF TUBE IS FREE FROM SCORE MARKS AND DEBURRED BEFORE INSERTING INTO FITTING
- PLASTIC TUBE: POLYETHYLENE, NYLON, AND POLYURETHANE
- SOFT METAL TUBE: BRASS, COPPER, MILD STEEL

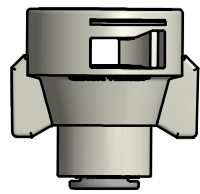
DESCRIPTION:

QUICK TEEJET® PUSH TO CONNECT ASSEMBLIES WITH DIAPHRAGM CHECK VALVE

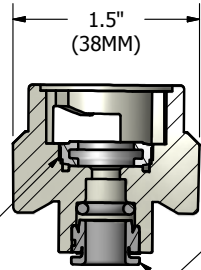


Spraying Systems Co.®
Spray Nozzles and Accessories
P.O. Box 7900 - Wheaton, IL 60189-7900

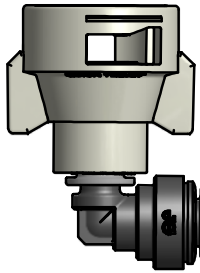
REVISION NO.	2	DATA SHEET	
REFERENCE:	5/15/2017	QJ98595	
SHEET:	1 OF 2	DWG SIZE: B	



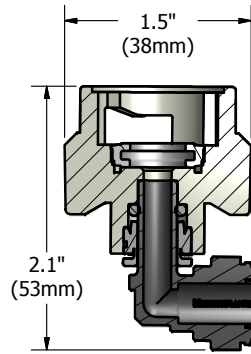
PTC QJ CAP
 - QJ115825-3/16
 - QJ98586-3/8
 - QJ114398-5/16
 - QJ98588-1/4



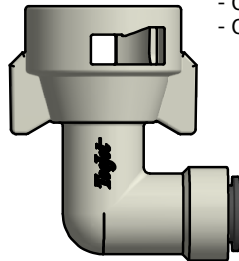
CP18999-EPR GASKET
 *To ease assembly, a lubricant compatible with EPR rubber is recommended
 PTC FITTING
 3/8" (9.53mm) or
 5/16" (7.94mm) or
 1/4" (6.35mm)



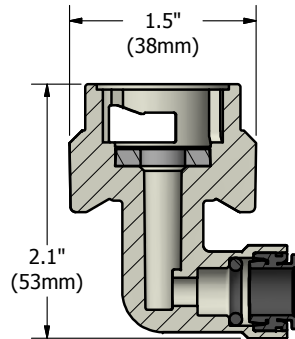
PTC 90° QJ SWIVEL CAP
 - QJ114403-1/4
 - QJ114404-5/16
 - QJ114405-3/8



PTC SWIVEL FITTING
 3/8" (9.53mm) or
 5/16" (7.94mm) or
 1/4" (6.35mm)



PTC 90° QJ CAP
 - QJ98598-90-1/4
 - QJ98599-90-3/8



PTC FITTING
 3/8" (9.53mm) or
 1/4" (6.35mm)

HOW TO ORDER			
PART NUMBER	DESCRIPTION	OPENING PSI	TUBING OD
QJ115825-3/16	PTC QJ CAP	N/A	3/16" OD TUBING
QJ98588-1/4	PTC QJ CAP	N/A	1/4" OD TUBING
QJ114398-5/16	PTC QJ CAP	N/A	5/16" OD TUBING
QJ98586-3/8	PTC QJ CAP	N/A	3/8" OD TUBING
QJ114403-1/4	PTC 90° QJ SWIVEL CAP	N/A	1/4" OD TUBING
QJ114404-5/16	PTC 90° QJ SWIVEL CAP	N/A	5/16" OD TUBING
QJ114405-3/8	PTC 90° QJ SWIVEL CAP	N/A	3/8" OD TUBING
QJ98598-90-1/4	PTC 90° QJ CAP	N/A	1/4" OD TUBING
QJ98599-90-3/8	PTC 90° QJ CAP	N/A	3/8" OD TUBING
CP18999-EPR	CAP GASKET	N/A	N/A
CP18999-VI	CAP GASKET (VITON)	N/A	N/A

- 100PSI (7bar) MAX PRESSURE RATING BASED ON USE W/ LINEAR LOW DENSITY POLYETHYLENE TUBING
- PTC 90° QJ SWIVEL CAPS ARE NOT MEANT FOR CONTINUOUS ROTATION
- PTC CAPS USE GASKET P/N: CP18999-EPR

TUBING RECOMMENDATIONS

- ENSURE OUTSIDE OF TUBE IS FREE FROM SCORE MARKS AND DEBURRED BEFORE INSERTING INTO FITTING
- PLASTIC TUBE: POLYETHYLENE, NYLON, AND POLYURETHANE
- SOFT METAL TUBE: BRASS, COPPER, MILD STEEL

DESCRIPTION:

QUICK TEEJET®
 PUSH-TO-CONNECT
 FITTINGS



Spraying Systems Co.®
 Spray Nozzles and Accessories
 P.O. Box 7900 - Wheaton, IL 60189-7900

REVISION NO. 2
 REFERENCE: 5/15/2017

DATA SHEET
QJ98595
 SHEET: 2 OF 2 DWG SIZE: B