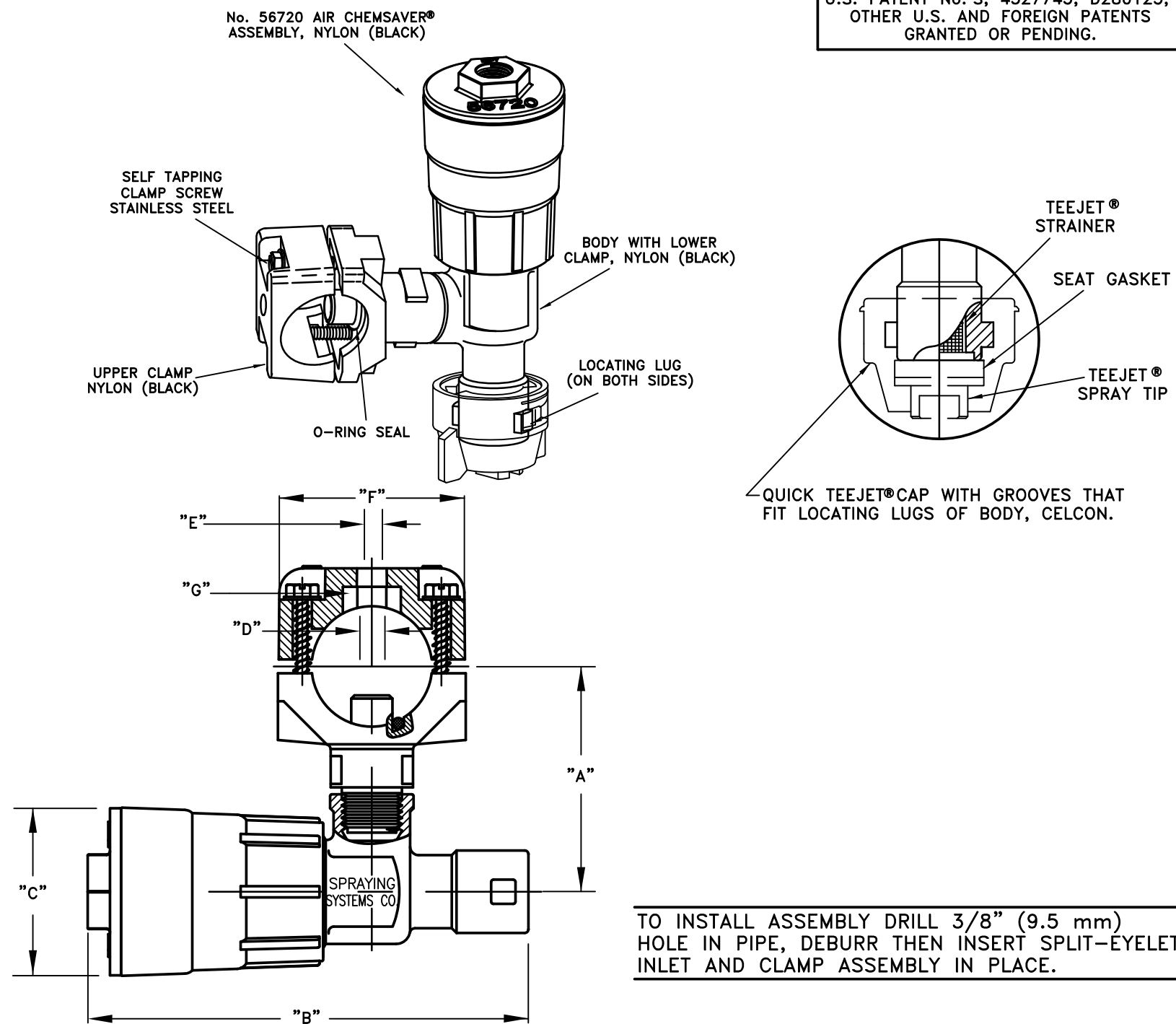


U.S. PATENT No.'S, 4527745, D280125,
OTHER U.S. AND FOREIGN PATENTS
GRANTED OR PENDING.



TO INSTALL ASSEMBLY DRILL 3/8" (9.5 mm) HOLE IN PIPE, DEBURR THEN INSERT SPLIT-EYELET INLET AND CLAMP ASSEMBLY IN PLACE.

FEATURES:

- SPRAY TIP AND CHECK VALVE MOUNTED BEHIND BOOM FOR GREATER PROTECTION FROM DAMAGE.
- FAST AND EASY WAY TO MOUNT SPRAY NOZZLES TO HEADERS.
- AUTOMATIC SELF-ALIGNMENT OF FLAT SPRAY PATTERNS.
- QUICK CHANGE OF INTERCHANGEABLE SPRAY TIPS.
- DRIP FREE POSITIVE SHUT-OFF.
- MADE OF CORROSION RESISTANT MATERIALS.
- STANDARD O-RING MADE OF BUNA-N.
- STANDARD DIAPHRAGM IS POLYURETHANE.
- MINIMUM 55 PSI (3.75 Bar) OPENING PRESSURE
- MAXIMUM 115 PSI (8 Bar) LIQUID PRESSURE
- QUICK TEEJET® CAPS, GASKETS, TIPS AND STRAINERS NOT INCLUDED WITH BODY ASSEMBLY.
- THE 56720 AIR CHEMSAVER® IS DESIGNED AS A PNEUMATIC SHUT-OFF VALVE FOR USE ON QUICK TEEJET® NOZZLE ASSEMBLIES. AIR PRESSURE IS USED TO OPEN THE VALVE AND A SPRING IS USED TO CLOSE THE VALVE.
- 1/2" AND 3/4" VERSIONS ACCEPT 1/8" HEX HEAD BOLT IN UPPER CLAMP FOR EASY MOUNTING. (NOT AVAILABLE ON 1" VERSION)
- SEE DS56720 FOR FURTHER INFORMATION.

HOW TO ORDER:

FOR DIAPHRAGM QUICK TEEJET® BODY ASSEMBLY SPECIFY PART NUMBER:
EXAMPLE: QJ22187-1/2-AC QUICK TEEJET®NOZZLE BODY ASSEMBLY.

BODY ASSEMBLY No.	TO CLAMP ON	"A"	"B"	"C"	"D"	"E"	"F"	"G"
(B)QJ22187-1/2-NYB	1/2" PIPE, 13/16" & 7/8" O.D. TUBINGS	2" (51 mm)				17/64" DIA. (6.7 mm)	1 43/64" (42 mm)	29/64" HEX. (11.5 mm)
(B)QJ22187-3/4-NYB	3/4" PIPE 1" & 1 1/16" O.D. TUBINGS		4" (102 mm)	1 1/2" (39 mm)	.370" DIA. (9.4 mm)			
(B)QJ22187-1-NYB	1" PIPE 1" & 1 1/16" O.D. TUBINGS	2 1/8" (54 mm)				N/A	2 35/64" (65 mm)	N/A

DESCRIPTION:
No. QJ22187-AC
SPLIT-EYELET QUICK TEEJET®
NOZZLE BODY ASSEMBLIES
DIAPHRAM TYPE AIR CHEMSAVER®
SHUT-OFF VALVE
(NPT & BSPT CONNECTIONS)



Spraying Systems Co.®

Spray Nozzles and Accessories
P.O. Box 7900 - Wheaton, Il. 60189-7900

Rev. No.

Ref.

Data Sheet No.
DSQJ22187-AC
SHEET OF