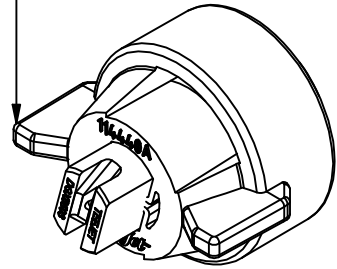


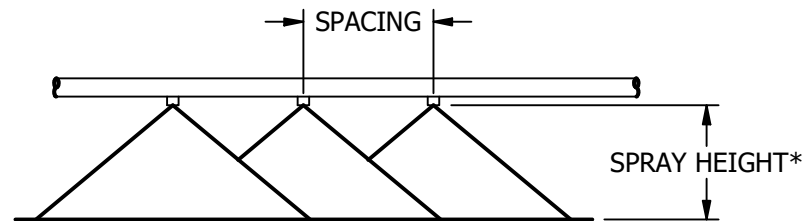
DGX40 TeeJet®

X SERIES TARGET SPRAY
DRIFT GUARD
FLAT SPRAY TIPS

DGX4006SS-CE
 TIP, CAP & GASKET ASSEMBLY

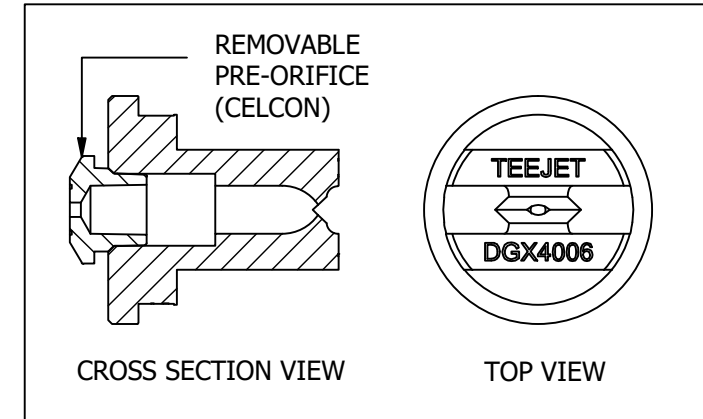


DROPLET SIZE CATEGORIES		
VC	XC	UC
VERY COARSE	EXTREMELY COARSE	ULTRA COARSE

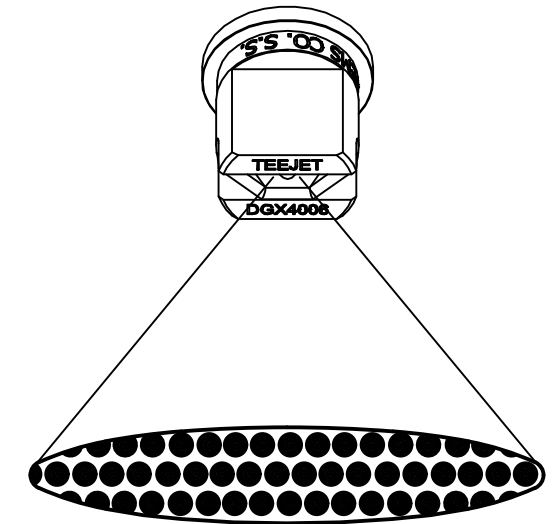


*ADJUST SPRAY HEIGHT IN THE FIELD TO OVERLAP
 MINIMUM 30% OF EACH EDGE PATTERN

SUGGESTED MINIMUM SPRAY HEIGHT	
SPRAY ANGLE	SPRAY HEIGHT
40°	10" SPACING 18" - 35"



DGX40__SS SPRAY TIP



FLAT SPRAY PATTERN

FEATURES:

- DESIGNED FOR PRECISE APPLICATION AND SUPERIOR COVERAGE IN TARGET SPRAYING APPLICATIONS
- OPTIMIZED FOR APPLICATIONS THAT MAY INCLUDE NARROW SPACING, LOW BOOM HEIGHTS, AND OTHER TARGET SPRAY USES WHERE NARROW ANGLES ARE PREFERRED
- NARROW SPRAY ANGLES DELIVER CONCENTRATED COVERAGE ON THE INTENDED TARGET, MINIMIZING OVER SPRAY AND REDUCING WASTE ON NON-TARGET AREAS
- AVAILABLE IN 40° SPRAY ANGLE
- TAPERED EDGE FLAT SPRAY PATTERN FOR UNIFORM COVERAGE WHEN ADJACENT NOZZLE PATTERNS ARE OVERLAPPED IN BROADCAST SPRAYING
- INCREASED DROPLET SIZE COMPARED TO STANDARD DG TIP
- PRE-ORIFICE DESIGN WITH VISIFLO® COLOR CODING PRODUCES LARGE DROPLETS TO REDUCE DRIFT AND MINIMIZE OFF TARGET SPRAY CONTAMINATION
- SUPERIOR WEAR CHARACTERISTICS
- SUGGESTED SPRAY PRESSURE RANGE: 20-70 PSI (1.5-5.0 BAR)
- AUTOMATIC ALIGNMENT WITH 114441A-*-CELR QUICK TEEJET CAP AND GASKET WITH VISIFLO COLOR CODING
- ORDER DGX40__SS-CE FOR TIP, CAP & GASKET COMBO

TYPICAL APPLICATIONS:

- EXCELLENT FOR POST-EMERGENCE HERBICIDES

TIP COLOR	TIP NO. (STRAINER SCREEN SIZE)	LIQUID PRESSURE IN PSI	DROPLET SIZE	CAPACITY 1 NOZZLE IN GPM	CAPACITY 1 NOZZLE IN OZ/MIN	GALLONS PER ACRE - 10" NOZZLE SPACING										
						4 MPH	6 MPH	8 MPH	10 MPH	12 MPH	14 MPH	16 MPH	18 MPH	20 MPH	22 MPH	24 MPH
BLUE	DGX4003SS (50 MESH)	20	UC	0.21	27	31	21	15.6	12.5	10.4	8.9	7.8	6.9	6.2	5.7	5.2
		30	UC	0.26	33	39	26	19.3	15.4	12.9	11.0	9.7	8.6	7.7	7.0	6.4
		40	UC	0.30	38	45	30	22	17.8	14.9	12.7	11.1	9.9	8.9	8.1	7.4
		50	XC	0.34	44	50	34	25	20	16.8	14.4	12.6	11.2	10.1	9.2	8.4
		60	XC	0.37	47	55	37	27	22	18.3	15.7	13.7	12.2	11.0	10.0	9.2
RED	DGX4004SS (50 MESH)	20	UC	0.28	36	42	28	21	16.6	13.9	11.9	10.4	9.2	8.3	7.6	6.9
		30	UC	0.35	45	52	35	26	21	17.3	14.9	13.0	11.6	10.4	9.5	8.7
		40	UC	0.40	51	59	40	30	24	19.8	17.0	14.9	13.2	11.9	10.8	9.9
		50	XC	0.45	58	67	45	33	27	22	19.1	16.7	14.9	13.4	12.2	11.1
		60	XC	0.49	63	73	49	36	29	24	21	18.2	16.2	14.6	13.2	12.1
BROWN	DGX4005SS (50 MESH)	20	UC	0.35	45	52	35	26	21	17.3	14.9	13.0	11.6	10.4	9.5	8.7
		30	UC	0.43	55	64	43	32	26	21	18.2	16.0	14.2	12.8	11.6	10.6
		40	UC	0.50	64	74	50	37	30	25	21	18.6	16.5	14.9	13.5	12.4
		50	XC	0.56	72	83	55	42	33	28	24	21	18.5	16.6	15.1	13.9
		60	XC	0.61	78	91	60	45	36	30	26	23	20	18.1	16.5	15.1
GREY	DGX4006SS (50 MESH)	20	UC	0.42	54	62	42	31	25	21	17.8	15.6	13.9	12.5	11.3	10.4
		30	UC	0.52	67	77	51	39	31	26	22	19.3	17.2	15.4	14.0	12.9
		40	XC	0.60	77	89	59	45	36	30	25	22	19.8	17.8	16.2	14.9
		50	XC	0.67	86	99	66	50	40	33	28	25	22	19.9	18.1	16.6
		60	XC	0.73	93	108	72	54	43	36	31	27	24	22	19.7	18.1
		70	VC	0.79	101	117	78	59	47	39	34	29	26	23	21	19.6

TABULATION BASED ON SPRAYING WATER AT 70° F

DESCRIPTION:

GALLONS PER ACRE
 TABULATION FOR
 DGX40__SS TEEJET®
 DRIFT GUARD
 FLAT SPRAY TIP



REVISION NO.	1	Data Sheet No.	
REFERENCE:	4/15/25	DSDGX40	
SHEET:	1 OF 1	DWG SIZE: B	