
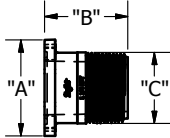

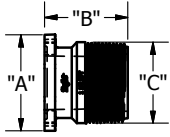

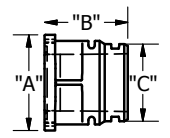

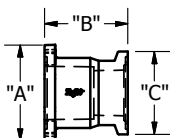

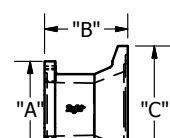
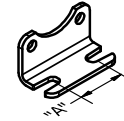
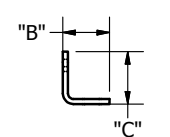
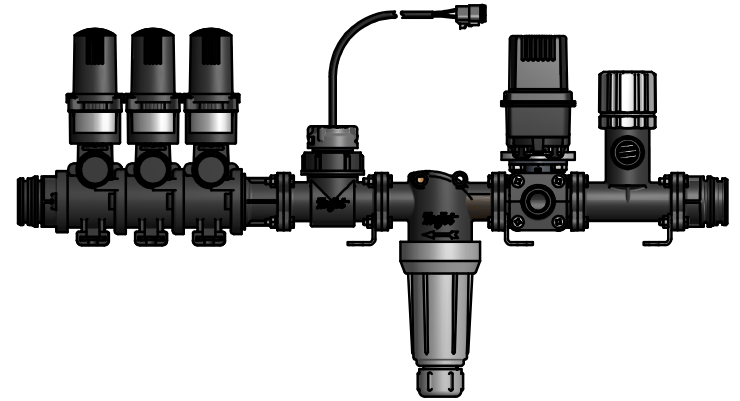


IMAGE	DIMENSIONS	DESCRIPTION	"A"	"B"	"C"	PART NUMBER
		1-1/4" THREADED FITTING POLYPROPYLENE	2.3" (59mm)	2.0" (51mm)	1.7" (44mm)	CP(B)98493-1-1/4-PP
		1-1/2" THREADED FITTING POLYPROPYLENE	2.3" (59mm)	2.0" (51mm)	1.9" (50mm)	CP(B)98492-1-1/2-PP
		LARGE MALE QUICK CONNECT POLYPROPYLENE	2.3" (59mm)	2.0" (51mm)	1.8" (47mm)	CP98497-PP
		#50 SERIES FLANGE POLYPROPYLENE	2.3" (59mm)	2.0" (51mm)	2.0" (51mm)	CP98491-PP
		#75 SERIES FLANGE NYLON	2.3" (59mm)	2.0" (51mm)	3.1" (78mm)	CP98490-NYB
		MOUNTING BRACKET STAINLESS STEEL	1.4" (35mm)	1.1" (28mm)	1.3" (32mm)	CP98498-SS



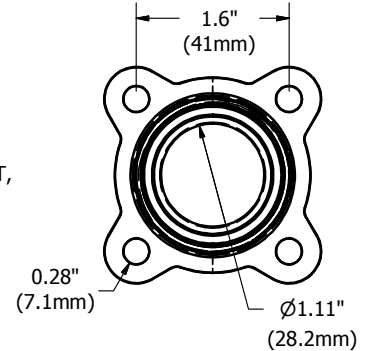
FEATURES INCLUDE:

- MAXIMUM PRESSURE RATING OF 200 PSI (14 bar)
- POLYPROPYLENE OR NYLON CONSTRUCTION
- NPT AND BSPT THREADS
- O-RING (NOT INCLUDED)
- MOUNTING HARDWARE (NOT INCLUDED)

HOW TO ORDER:

- TO ORDER A FITTING SPECIFY THE PART NUMBER.
EXAMPLE: CP98490-NYB
- ACCESSORY MOUNTING BOLT KIT, P/N: AB98499-KIT, MUST BE ORDERED SEPARATELY.
 - o (4) M6X1X25MM METRIC HEX HEAD CAP SCREW, STAINLESS STEEL
 - o (4) M6 LOCK WASHER, STAINLESS STEEL
 - o (4) M6X1MM HEX NUT, STAINLESS STEEL
 - o (1) O-RING, VITON (P/N: CP7717-2/222-VI)
*(FOR BOLTED CONNECTION)
- O-RING FOR #50 & #75 SERIES FLANGE & O-RING FOR LARGE MALE QUICK CONNECT SOLD SEPARATELY

END VIEW



DESCRIPTION:

#430 MANIFOLD ADAPTERS



Spraying Systems Co.
Spray Nozzles and Accessories
P.O. Box 7900 - Wheaton, IL 60189-7900

REVISION NO.

REFERENCE:

DATA SHEET

BOLTED FLANGE

SHEET:

DWG SIZE: **B**

(B)=BSPT