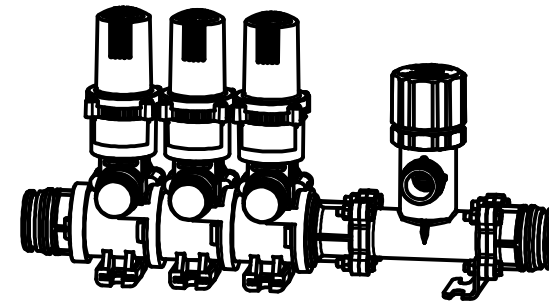


Control unit for TeeJet controllers. Includes:

- Section Valves in 2-Way, Flowback, or 3-Way style
- Pressure Relief Valve (98510-PP)
- Electric Regulating Valve, bypass mode
- Liquid Strainer (AA126ML-M50-80-VI)
- Flowmeter (801A)



Control unit for TeeJet controllers. Includes:

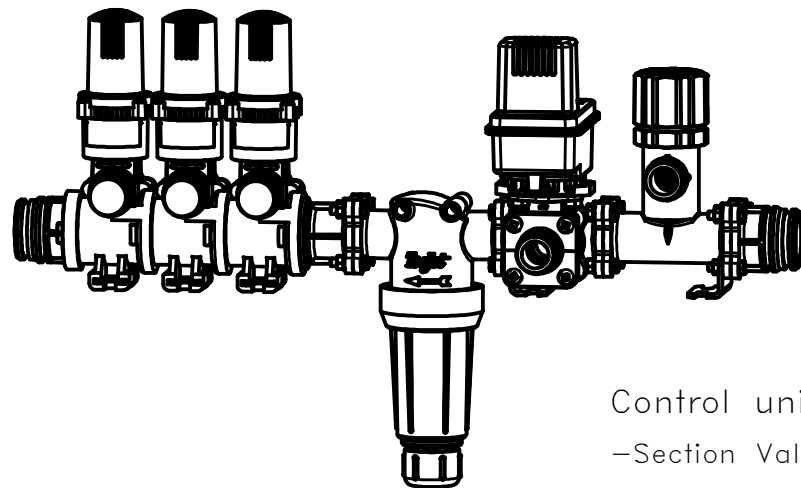
- Section Valves in 2-Way, Flowback, or 3-Way style
- Pressure Relief Valve (98510-PP)

Part No.	Valve Sections	Valve Type	Pressure	Flow per section
98600-C-433E(C)-2	3	2-Way	215psi (15bar)	11.7GPM (5psi pressure drop) / 44 l/min (.34bar pressure drop)
98601-C-435E(C)-3FB	5	Flowback	215psi (15bar)	9.2GPM (5psi pressure drop) / 35 l/min (.34bar pressure drop)
98602-C-434E(C)-3	4	3-Way	215psi (15bar)	11.7GPM (5psi pressure drop) / 44 l/min (.34bar pressure drop)

Notes: Valves can be ordered in 1-9 sections configuration. For inlet and outlet connections refer to page \*\*.

Part No.	Valve Sections	Valve Type	Pressure	Flow per section
98600-A-437E(C)-2	7	2-Way	215psi (15bar)	11.7GPM (5psi pressure drop) / 44 l/min (.34bar pressure drop)
98601-A-435E(C)-3FB	5	Flowback	215psi (15bar)	9.2GPM (5psi pressure drop) / 35 l/min (.34bar pressure drop)
98602-A-433E(C)-3	3	3-Way	215psi (15bar)	11.7GPM (5psi pressure drop) / 44 l/min (.34bar pressure drop)

Notes: Valves can be ordered in 1-9 sections configuration. For inlet and outlet connections refer to page \*\*.



Control unit for TeeJet controllers. Includes:

- Section Valves in 2-Way, Flowback, or 3-Way style
- Pressure Relief Valve (98510-PP)
- Electric Regulating Valve, bypass mode
- Liquid Strainer (AA126ML-M50-80-VI)

#### Additional Literature

- \*Parts break downs - PL98600-A, PL98600-B, PL98600-C
- \*Flowmeter - DS801A
- \*Strainer - DS126ML-M50, PL126ML-M50
- \*Regulation Valve - PL344BR&RL
- \*Pressure Relief Valve - DS98510, DS98510X2, DS98510X2M, PL98510
- \*Valve Inlets - PL58456
- \*Valve Outlets - PL45529
- \*Section Valve Cables - DS58480, DS58480X2
- \*Regulating Valve Cables - DS38082

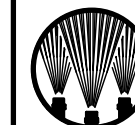
Additional configurations and 430 manifold accessories available. For additional ordering information please contact your local sales representative.

Part No.	Valve Sections	Valve Type	Pressure	Flow per section
98600-B-433E(C)-2	3	2-Way	215psi (15bar)	11.7GPM (5psi pressure drop) / 44 l/min (.34bar pressure drop)
98601-B-434E(C)-3FB	4	Flowback	215psi (15bar)	9.2GPM (5psi pressure drop) / 35 l/min (.34bar pressure drop)
98602-B-435(C)-3	5	3-Way	215psi (15bar)	11.7GPM (5psi pressure drop) / 44 l/min (.34bar pressure drop)

Notes: Valves can be ordered in 1-9 sections configuration. For inlet and outlet connections refer to page \*\*.

#### DESCRIPTION:

98600, 98601, 98602 SERIES  
430 MANIFOLD BALL VALVES  
WITH ACCESSORIES  
FLOWMETER, STRAINER,  
BYPASS REGULATING,  
& PRESSURE RELIEF VALVE



**Spraying Systems Co.**<sup>®</sup>  
Spray Nozzles and Accessories  
P.O. Box 7900 - Wheaton, IL 60187-7901

REVISION NO.

DATA SHEET

REFERENCE:

**DS98600**

SHEET: 1 OF 1

DWG SIZE: B