

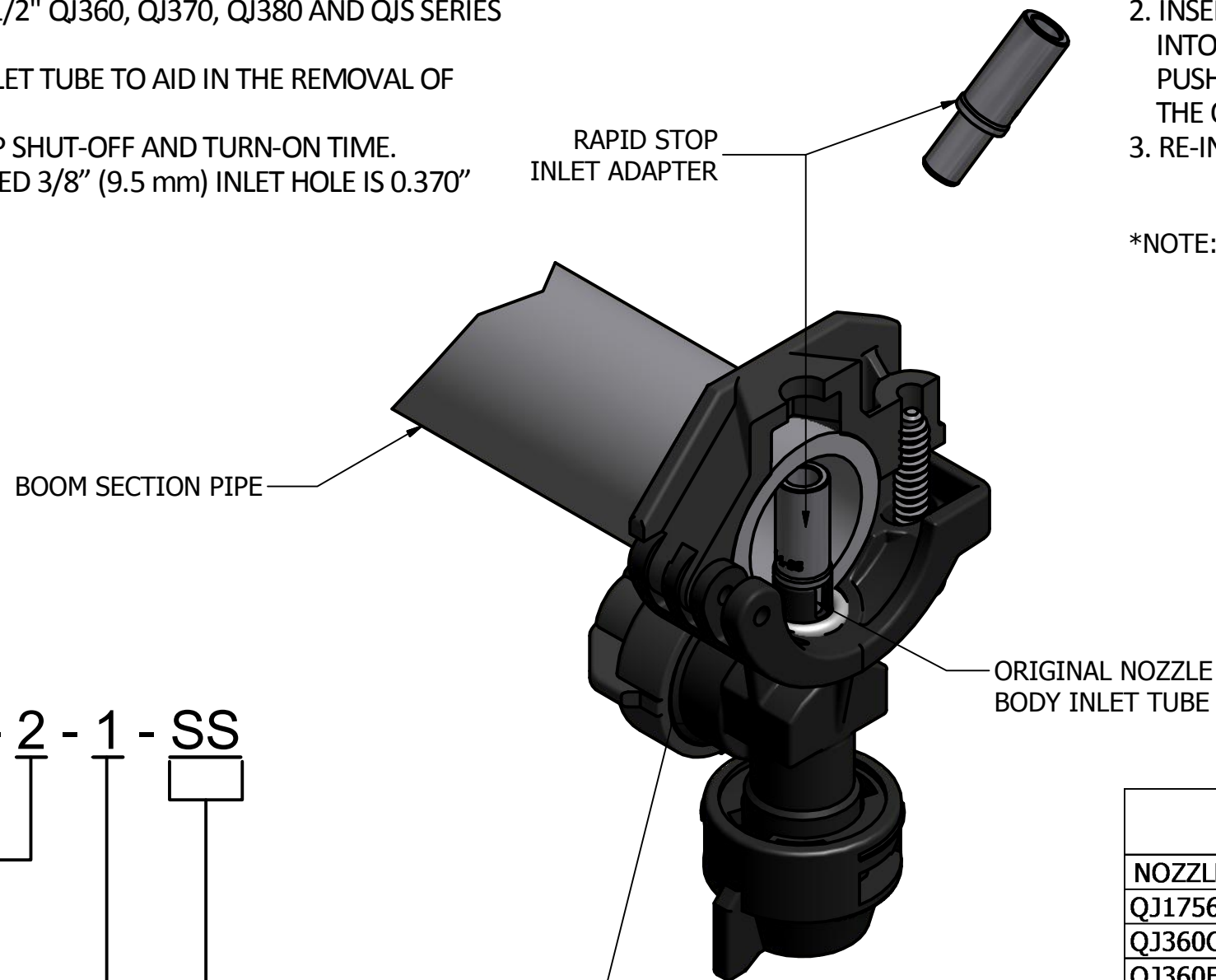
RAPID STOP NOZZLE BODY INLET ADAPTER FOR WET BOOM NOZZLE BODIES

- INLET ADAPTER FOR QJ17560A-1-NYB, QJ17560A-3/4-NYB, 24216A-1-NYB, 24216A-3/4-NYB, AND ALL 1", 3/4" & 1/2" QJ360, QJ370, QJ380 AND QJS SERIES WET BOOM NOZZLE BODIES.
- EXTENDS HEIGHT OF NOZZLE BODY INLET TUBE TO AID IN THE REMOVAL OF AIR TRAPPED IN THE SPRAY BOOM.
- EASILY INSTALLED FOR SHORTENED TIP SHUT-OFF AND TURN-ON TIME.
- MINIMUM DIAMETER ON THE REQUIRED 3/8" (9.5 mm) INLET HOLE IS 0.370" (9.40 mm).
- MATERIAL: STAINLESS STEEL.

INSTALLATION INSTRUCTIONS

1. REMOVE NOZZLE BODY FROM SPRAYER BOOM.
2. INSERT THE BARBED END OF THE RAPID STOP INLET ADAPTER INTO THE NOZZLE BODY LIQUID INLET TUBE, AND GENTLY PUSH UNTIL THE FLANGED END IS FLUSH WITH THE TOP OF THE ORIGINAL NOZZLE BODY INLET TUBE.
3. RE-INSTALL NOZZLE BODY ONTO THE SPRAYER BOOM.

*NOTE: ONCE INSTALLED INTO A NOZZLE BODY, REMOVING RAPID STOP CAN DAMAGE THE INLET TUBE.



HOW TO ORDER:

CP98583 - 2 - 1 - SS

PART CODE	FOR TYPE
1	QJ360C, QJ370, QJ380, QJ380F, QJS SERIES
2	QJ17560A, 24216 SERIES
3	QJ360F SERIES*

PART CODE	PIPE SIZE
1	1 in.
3/4	3/4 in.
1/2	1/2 in.

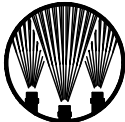
MATERIAL	
PART CODE	DESCRIPTION
SS	STAINLESS STEEL

*QJ17560A-1-NYB NOZZLE BODY
RAPID STOP EXAMPLE PART NO:
CP98583-2-1-SS

NOZZLE BODY	FLOW RATES AT VARIOUS PRESSURE DROPS	
	5 PSI (.34 BAR)	10 PSI (.69 BAR)
QJ17560A	2.25 GPM (8.5 l/min)	3.18 GPM (12.0 l/min)
QJ360C	2.25 GPM (8.5 l/min)	3.18 GPM (12.0 l/min)
QJ360F	3.4 GPM (12.9 l/min)	4.8 GPM (18.2 l/min)
QJ373	2.6 GPM (9.8 l/min)	3.6 GPM (13.6 l/min)
QJ375	2.4 GPM (9.1 l/min)	3.4 GPM (12.9 l/min)
QJ380	3.0 GPM (11.4 l/min)	4.2 GPM (15.9 l/min)
QJ380F	4.5 GPM (17.0 l/min)	6.4 GPM (24.2 l/min)
QJS	2.75 GPM (10.4 l/min)	4.0 GPM (15.1 l/min)
24216A	1.6 GPM (6.1 l/min)	2.26 GPM (8.6 l/min)

*QJ360F SERIES RAPID STOPS ARE ONLY AVAILABLE AS THE 1" VERSION.

DESCRIPTION:
TEEJET® RAPID STOP
NOZZLE BODY INLET ADAPTER FOR
1" AND 3/4" QJ17560A, ALL 1", 3/4" AND
1/2" QJ360, QJ370 & QJ380 SERIES WET
BOOM NOZZLE BODIES



Spraying Systems Co.®
Spray Nozzles and Accessories
P.O. Box 7900 - Wheaton, IL 60189-7900

REVISION NO.	DATA SHEET
REFERENCE: 3/10/14	DS98583
SHEET: 1 OF 1	DWG SIZE: B