

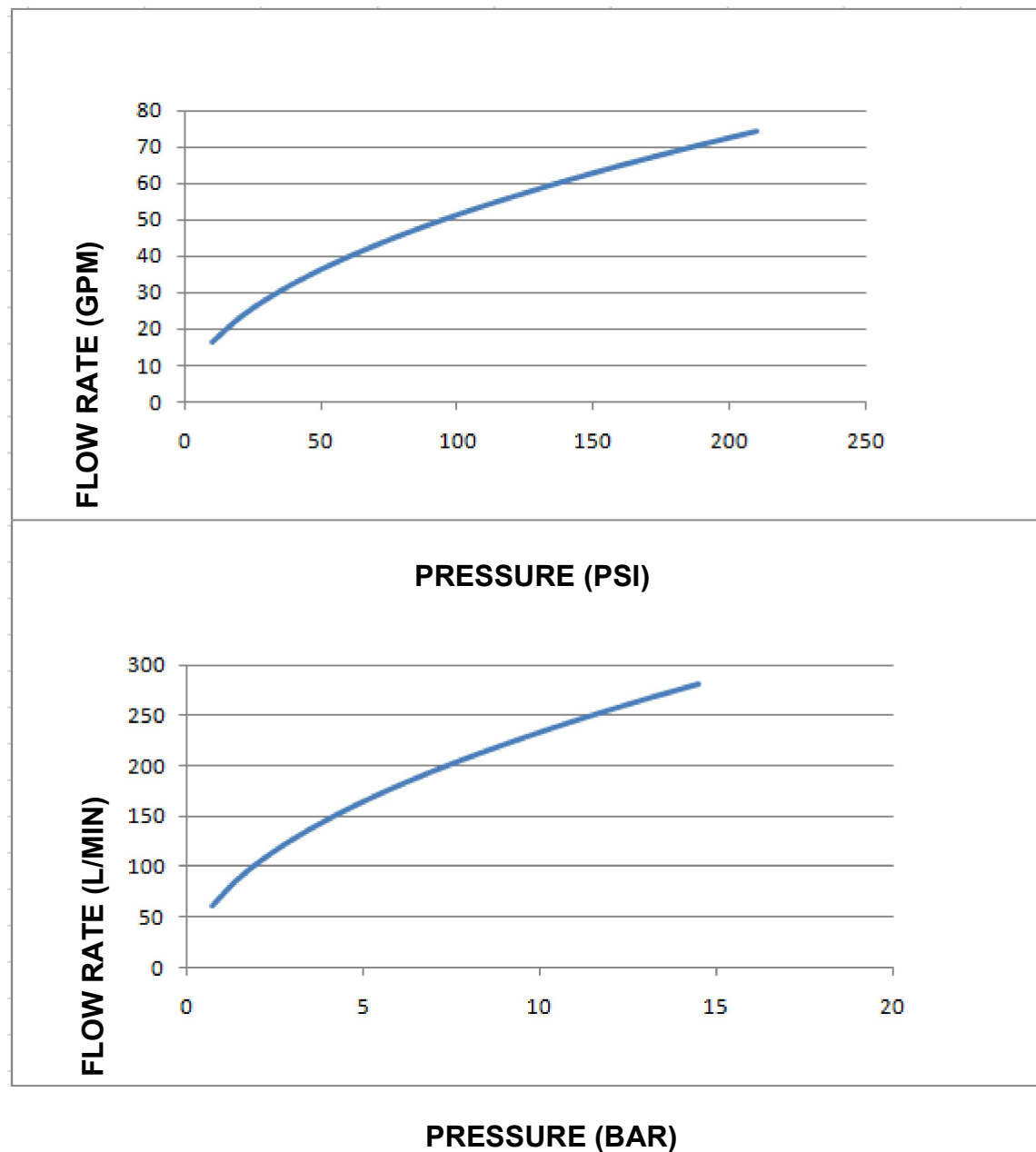
FEATURES:

- °MAXIMUM RECOMMENDED PRESSURE: 300 PSI (20 BAR)
- °PRESSURE SETTING ADJUSTMENTS MADE WITHOUT TOOLS
- °50 SERIES BOLTED FLANGE CONNECTION, DESIGNED FOR USE WITH 430 MANIFOLD ACCESSORIES
- °WETTED MATERIALS: NYLON, STAINLESS STEEL, AND FKM

DIM	STANDARD	METRIC
A	4"	102mm
B*	6.6"	170mm

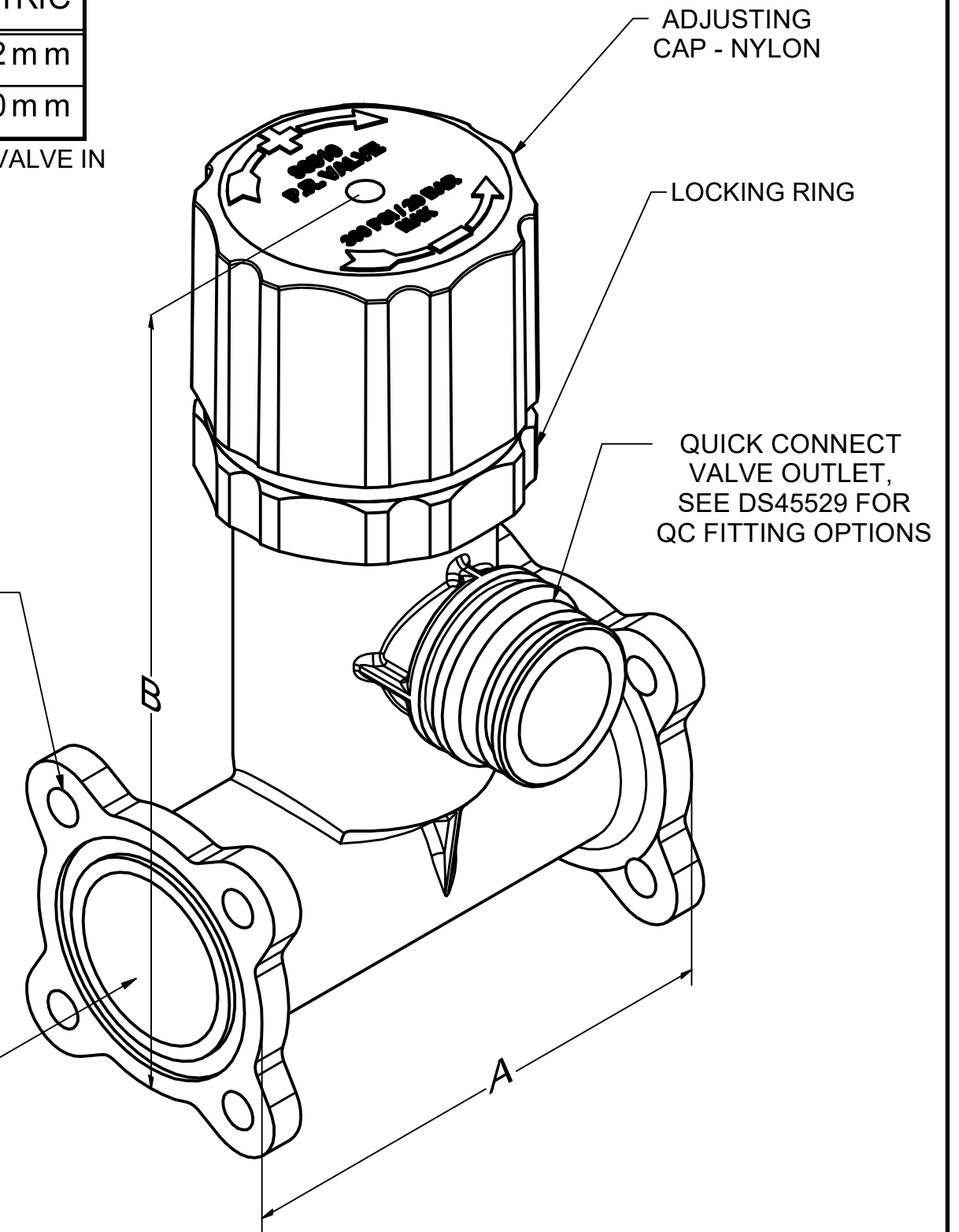
*B DIMENSION REPRESENTS VALVE IN FULLY CLOSED POSITION

MAXIMUM FLOW THROUGH VALVE AT VARIOUS PRESSURES (WITH VALVE FULL OPEN)



MOUNTING HOLES FOR USE WITH 430 ACCESSORIES, ORDER MOUNTING KIT AB98499 SEPARATELY

INLET CONNECTION



DESCRIPTION:

98510-NYB
430 MANIFOLD ACCESSORY
PRESSURE RELIEF VALVE



REVISION NO.

Data Sheet No.

REFERENCE:

DS98510

7/31/2024

SHEET: 1 OF 1

DWG SIZE: B