

**SPECIFICATIONS:**

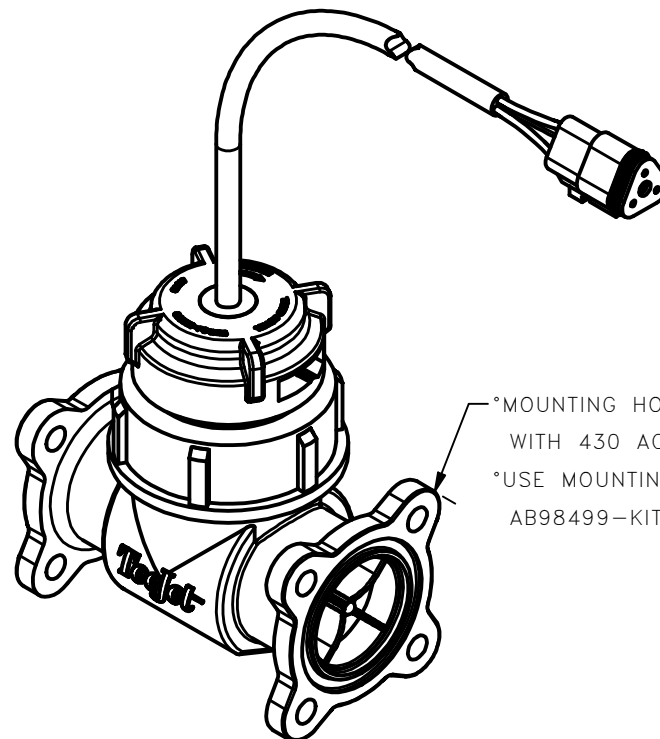
- °MAXIMUM PRESSURE RATING: 215 PSI (15 BAR)
- °FLOW RANGE: 2 – 45 GPM (7.5 – 170 l/min)
- °FLOW RATE: 25.8 GPM (98 l/min) @ 5 PSI (.34 BAR) PRESSURE DROP
- °FLOW RATE: 36.5 GPM (138 l/min) @ 10 PSI (.69 BAR) PRESSURE DROP
- °WETTED MATERIALS: POLYPROPYLENE, STAINLESS STEEL, RUBY, SAPPHIRE, VITON®

**ELECTRICAL SPECIFICATIONS:**

- °OPEN COLLECTOR NPN
- °50% SQUARE WAVE
- °10–300hz OPERATING RANGE
- °APPROXIMATE CALIBRATION: TEEJET TECHNOLOGIES – #82 PULSES/l  
MID-TECH – #310 PULSES/GAL
- °LED INDICATORS: GREEN – POWER  
ORANGE – SIGNAL
- ° RED WIRE = +12V  
WHITE WIRE = SIGNAL  
BLACK WIRE = GROUND

**FEATURES INCLUDE:**

- °FLANGE STYLE BOLT CONNECTION FOR DIRECT CONNECTION TO 430 STYLE BALL VALVE MANIFOLDS
- °EFFICIENT HELICAL TURBINE DESIGN
- °EASY ACCESS TO TURBINE ASSEMBLY FOR CLEANING AND MAINTENANCE
- °THREE PIN DEUTSCH DT MALE CONNECTOR WITH DIRECT COMPATIBILITY WITH TEEJET 800 SERIES WIRING HARNESS (TEEJET "RB")



**ORDERING INFORMATION:**

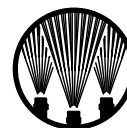
801A: STANDARD REPLACEMENT FLOW METER FOR 430 SERIES MANIFOLD

NOTE: FOR 430 MANIFOLD WITH ACCESSORIES ORDERING PLEASE REFER TO BULLETIN LITJ-129 & PL430M

ASSEMBLY NOTE: WHEN MOUNTING AN 801A FLOW METER WITH A 430 SERIES MANIFOLD ALWAYS ASSEMBLE THE FLOW METER DIRECTLY PROIR TO THE MANIFOLD IN ORDER TO RECEIVE ACCURATE FLOW READINGS.

**DESCRIPTION:**

**801A FLOW METER  
430 SERIES DIRECTOVALVE®  
BALL VALVE MANIFOLD  
FLOW METER**



**Spraying Systems Co.®**  
Spray Nozzles and Accessories  
P.O. Box 7900 - Wheaton, IL 60187-7901

REVISION NO.	DATA SHEET	
REFERENCE:	<b>DS801A</b>	
2/25/2010	SHEET: 1 OF 1	DWG SIZE: A