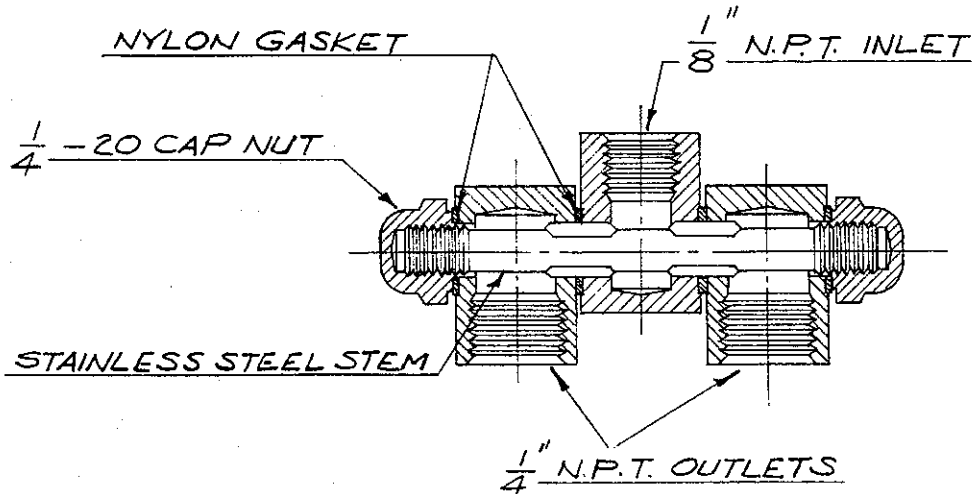
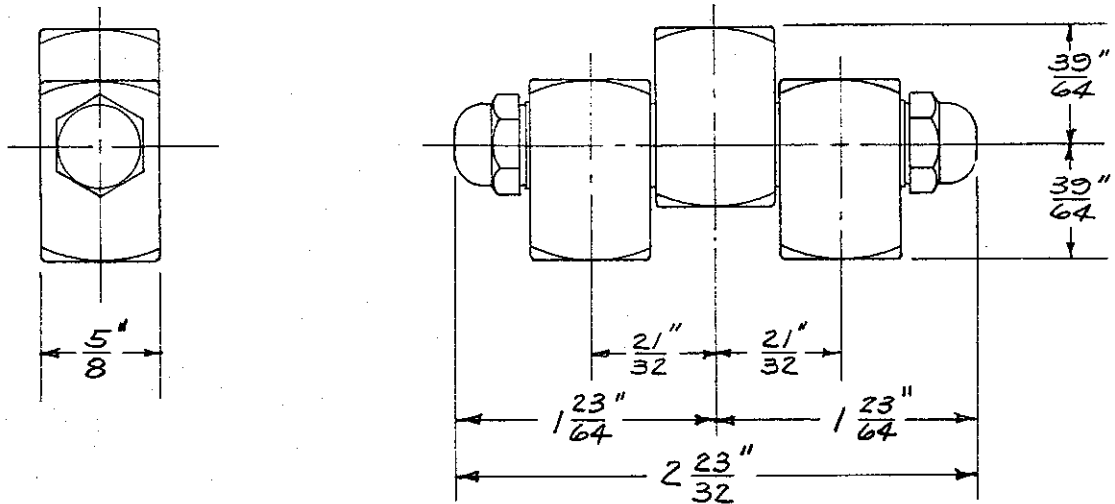


- THIS SWIVEL CONNECTOR IS DESIGNED FOR USE ON THE END OF DROP PIPES FOR ROW CROP SPRAYING.
- EACH OUTLET BODY CAN BE POSITIONED BY HAND TO ANY SETTING ON A 360° ARC - WITHOUT LOOSENING THE CAP NUTS - AND WITHOUT USING A WRENCH.
- THIS SETTING WILL HOLD IN SPITE OF VIBRATIONS AND MODERATE JARS.



AVAILABLE IN BRASS OR ALUMINUM

EACH OUTLET CAN ACCOMMODATE A TEEJET® NOZZLE UP TO 0.8 G.P.M. CAPACITY

DESCRIPTION

NO. 7450 B - $\frac{1}{8}$ x $\frac{1}{4}$
COMPACT DOUBLE SWIVEL
CONNECTOR

SPRAYING SYSTEMS CO.
Engineers and Manufacturers

North Avenue and Schmale Road, Wheaton, Illinois 60187

DR. BY L.R.

DWG. NO.

DATE 3 - 29 - 79

7450B