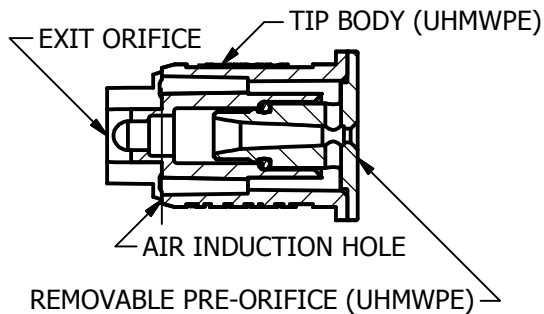


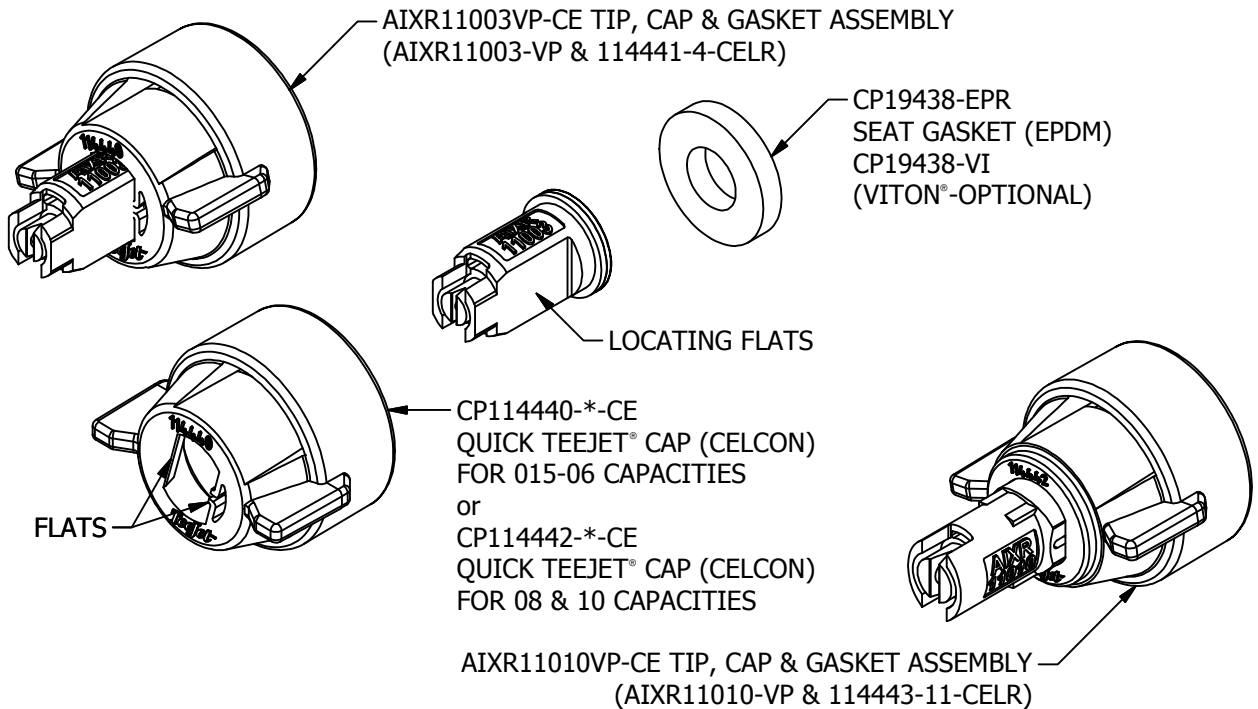
AIXR TeeJet®



AIXR110__VP SPRAY TIP
(CROSS SECTION VIEW)

FEATURES:

- TAPERED EDGE WIDE ANGLE FLAT SPRAY PATTERN FOR UNIFORM COVERAGE IN BROADCAST SPRAYING.
- PRE-ORIFICE FEATURES LARGE, ROUND, FREE PASSAGE TO MINIMIZE CLOGGING.
- LARGER DROPLETS ARE PRODUCED THROUGH THE USE OF A VENTURI AIR ASPIRATOR, RESULTING IN LESS DRIFT.
- SUGGESTED SPRAY PRESSURE RANGE: 1.0-6.0 BAR.
- UHMWPE (ULTRA-HIGH MOLECULAR WEIGHT POLYETHYLENE) CONSTRUCTION PROVIDES EXCELLENT CHEMICAL RESISTANCE, INCLUDING RESISTANCE TO ACIDS, AS WELL AS EXCEPTIONAL WEAR LIFE.
- AUTOMATIC SPRAY ALIGNMENT WITH 114441-*-CELR QUICK TEEJET CAP AND GASKET FOR CAPACITIES 015 THRU 06; 114443-*-CELR FOR CAPACITIES 08 & 10.
ORDER AIXR110__VP-CE FOR TIP, CAP & GASKET COMBO.
*FILL IN COLOR CODE



TIP INSTALLATION:

1. ALIGN LOCATING FLATS WITH CAP FLATS AND PRESS IN TIP UNTIL THE TIP BOTTOMS OUT.

| DROPLET SIZE CATEGORIES | | | | |
|-------------------------|--------|-------------|------------------|--------------|
| M | C | VC | XC | UC |
| MEDIUM | COARSE | VERY COARSE | EXTREMELY COARSE | ULTRA COARSE |

| OPTIMUM SPRAY HEIGHT | |
|----------------------|---------------|
| 50 cm SPACING | 75 cm SPACING |
| 50 cm | 75 cm |

DROPLET SIZE CLASSIFICATIONS ARE BASED ON BCPC SPECIFICATIONS AND IN ACCORDANCE WITH ASABE STANDARD S-572.1 ON THE DATE OF PRINTING. CLASSIFICATIONS ARE SUBJECT TO CHANGE.

VITON® IS A TRADEMARK OF DUPONT DOW ELASTOMERS.

DESCRIPTION:

LITERS PER HECTARE
TABULATION FOR
AIXR110__VP TEEJET®
AIR INDUCTION EXTENDED RANGE
FLAT SPRAY TIP (METRIC)



| | | | |
|--------------|----------|-----------------|---|
| REVISION NO. | 4 | Data Sheet No. | |
| REFERENCE: | 1/9/2017 | DS63540M | |
| SHEET: | 1 OF 3 | DWG SIZE: | A |

| TIP COLOR VISIFLO | TIP No. STRAINER MESH SIZE | LIQUID PRESSURE (bar) | DROPLET SIZE | CAPACITY ONE NOZZLE (l/min) | LITERS PER HECTARE 50 cm NOZZLE SPACING | | | | | | | | | | | | | |
|----------------------|----------------------------------|-----------------------------|-----------------|--------------------------------------|---|-----------|-----------|-----------|-----------|------------|------------|------------|------------|------------|------------|------------|------------|------------|
| | | | | | 4 km/h | 5 km/h | 6 km/h | 7 km/h | 8 km/h | 10 km/h | 12 km/h | 14 km/h | 16 km/h | 18 km/h | 20 km/h | 25 km/h | 30 km/h | 35 km/h |
| GREEN | 110015-VP (100 MESH) | 1.0 | XC | 0.34 | 102 | 81.6 | 68.0 | 58.3 | 51.0 | 40.8 | 34.0 | 29.1 | 25.5 | 22.7 | 20.4 | 16.3 | 13.6 | 11.7 |
| | | 1.5 | VC | 0.42 | 126 | 101 | 84.0 | 72.0 | 63.0 | 50.4 | 42.0 | 36.0 | 31.5 | 28.0 | 25.2 | 20.2 | 16.8 | 14.4 |
| | | 2.0 | C | 0.48 | 144 | 115 | 96.0 | 82.3 | 72.0 | 57.6 | 48.0 | 41.1 | 36.0 | 32.0 | 28.8 | 23.0 | 19.2 | 16.5 |
| | | 2.5 | C | 0.54 | 162 | 130 | 108 | 92.6 | 81.0 | 64.8 | 54.0 | 46.3 | 40.5 | 36.0 | 32.4 | 25.9 | 21.6 | 18.5 |
| | | 3.0 | C | 0.59 | 177 | 142 | 118 | 101 | 88.5 | 70.8 | 59.0 | 50.6 | 44.3 | 39.3 | 35.4 | 28.3 | 23.6 | 20.2 |
| | | 4.0 | M | 0.68 | 204 | 163 | 136 | 117 | 102 | 81.6 | 68.0 | 58.3 | 51.0 | 45.3 | 40.8 | 32.6 | 27.2 | 23.3 |
| | | 5.0 | M | 0.76 | 228 | 182 | 152 | 130 | 114 | 91.2 | 76.0 | 65.1 | 57.0 | 50.7 | 45.6 | 36.5 | 30.4 | 26.1 |
| 6.0 | M | 0.83 | 249 | 199 | 166 | 142 | 125 | 99.6 | 83.0 | 71.1 | 62.3 | 55.3 | 49.8 | 39.8 | 33.2 | 28.5 | | |
| YELLOW | 11002-VP (50 MESH) | 1.0 | XC | 0.46 | 138 | 110 | 92.0 | 78.9 | 69.0 | 55.2 | 46.0 | 39.4 | 34.5 | 30.7 | 27.6 | 22.1 | 18.4 | 15.8 |
| | | 1.5 | VC | 0.56 | 168 | 134 | 112 | 96.0 | 84.0 | 67.2 | 56.0 | 48.0 | 42.0 | 37.3 | 33.6 | 26.9 | 22.4 | 19.2 |
| | | 2.0 | VC | 0.65 | 195 | 156 | 130 | 111 | 97.5 | 78.0 | 65.0 | 55.7 | 48.8 | 43.3 | 39.0 | 31.2 | 26.0 | 22.3 |
| | | 2.5 | C | 0.72 | 216 | 173 | 144 | 123 | 108 | 86.4 | 72.0 | 61.7 | 54.0 | 48.0 | 43.2 | 34.6 | 28.8 | 24.7 |
| | | 3.0 | C | 0.79 | 237 | 190 | 158 | 135 | 119 | 94.8 | 79.0 | 67.7 | 59.3 | 52.7 | 47.4 | 37.9 | 31.6 | 27.1 |
| | | 4.0 | M | 0.91 | 273 | 218 | 182 | 156 | 137 | 109 | 91.0 | 78.0 | 68.3 | 60.7 | 54.6 | 43.7 | 36.4 | 31.2 |
| | | 5.0 | M | 1.02 | 306 | 245 | 204 | 175 | 153 | 122 | 102 | 87.4 | 76.5 | 68.0 | 61.2 | 49.0 | 40.8 | 35.0 |
| 6.0 | M | 1.12 | 336 | 269 | 224 | 192 | 168 | 134 | 112 | 96.0 | 84.0 | 74.7 | 67.2 | 53.8 | 44.8 | 38.4 | | |
| VIOLET | 110025-VP (50 MESH) | 1.0 | XC | 0.57 | 171 | 137 | 114 | 97.7 | 85.5 | 68.4 | 57.0 | 48.9 | 42.8 | 38.0 | 34.2 | 27.4 | 22.8 | 19.5 |
| | | 1.5 | XC | 0.70 | 210 | 168 | 140 | 120 | 105 | 84.0 | 70.0 | 60.0 | 52.5 | 46.7 | 42.0 | 33.6 | 28.0 | 24.0 |
| | | 2.0 | VC | 0.81 | 243 | 194 | 162 | 139 | 122 | 97.2 | 81.0 | 69.4 | 60.8 | 54.0 | 48.6 | 38.9 | 32.4 | 27.8 |
| | | 2.5 | VC | 0.90 | 270 | 216 | 180 | 154 | 135 | 108 | 90.0 | 77.1 | 67.5 | 60.0 | 54.0 | 43.2 | 36.0 | 30.9 |
| | | 3.0 | VC | 0.99 | 297 | 238 | 198 | 170 | 149 | 119 | 99.0 | 84.9 | 74.3 | 66.0 | 59.4 | 47.5 | 39.6 | 33.9 |
| | | 4.0 | C | 1.14 | 342 | 274 | 228 | 195 | 171 | 137 | 114 | 97.7 | 85.5 | 76.0 | 68.4 | 54.7 | 45.6 | 39.1 |
| | | 5.0 | C | 1.28 | 384 | 307 | 256 | 219 | 192 | 154 | 128 | 110 | 96.0 | 85.3 | 76.8 | 61.4 | 51.2 | 43.9 |
| 6.0 | M | 1.40 | 420 | 336 | 280 | 240 | 210 | 168 | 140 | 120 | 105 | 93.3 | 84.0 | 67.2 | 56.0 | 48.0 | | |
| BLUE | 11003-VP (50 MESH) | 1.0 | XC | 0.68 | 204 | 163 | 136 | 117 | 102 | 81.6 | 68.0 | 58.3 | 51.0 | 45.3 | 40.8 | 32.6 | 27.2 | 23.3 |
| | | 1.5 | XC | 0.83 | 249 | 199 | 166 | 142 | 125 | 99.6 | 83.0 | 71.1 | 62.3 | 55.3 | 49.8 | 39.8 | 33.2 | 28.5 |
| | | 2.0 | VC | 0.96 | 288 | 230 | 192 | 165 | 144 | 115 | 96.0 | 82.3 | 72.0 | 64.0 | 57.6 | 46.1 | 38.4 | 32.9 |
| | | 2.5 | VC | 1.08 | 324 | 259 | 216 | 185 | 162 | 130 | 108 | 92.6 | 81.0 | 72.0 | 64.8 | 51.8 | 43.2 | 37.0 |
| | | 3.0 | VC | 1.18 | 354 | 283 | 236 | 202 | 177 | 142 | 118 | 101 | 88.5 | 78.7 | 70.8 | 56.6 | 47.2 | 40.5 |
| | | 4.0 | C | 1.36 | 408 | 326 | 272 | 233 | 204 | 163 | 136 | 117 | 102 | 90.7 | 81.6 | 65.3 | 54.4 | 46.6 |
| | | 5.0 | C | 1.52 | 456 | 365 | 304 | 261 | 228 | 182 | 152 | 130 | 114 | 101 | 91.2 | 73.0 | 60.8 | 52.1 |
| 6.0 | M | 1.67 | 501 | 401 | 334 | 286 | 251 | 200 | 167 | 143 | 125 | 111 | 100 | 80.2 | 66.8 | 57.3 | | |
| RED | 11004-VP (50 MESH) | 1.0 | UC | 0.91 | 273 | 218 | 182 | 156 | 137 | 109 | 91.0 | 78.0 | 68.3 | 60.7 | 54.6 | 43.7 | 36.4 | 31.2 |
| | | 1.5 | XC | 1.12 | 336 | 269 | 224 | 192 | 168 | 134 | 112 | 96.0 | 84.0 | 74.7 | 67.2 | 53.8 | 44.8 | 38.4 |
| | | 2.0 | XC | 1.29 | 387 | 310 | 258 | 221 | 194 | 155 | 129 | 111 | 96.8 | 86.0 | 77.4 | 61.9 | 51.6 | 44.2 |
| | | 2.5 | VC | 1.44 | 432 | 346 | 288 | 247 | 216 | 173 | 144 | 123 | 108 | 96.0 | 86.4 | 69.1 | 57.6 | 49.4 |
| | | 3.0 | VC | 1.58 | 474 | 379 | 316 | 271 | 237 | 190 | 158 | 135 | 119 | 105 | 94.8 | 75.8 | 63.2 | 54.2 |
| | | 4.0 | VC | 1.82 | 546 | 437 | 364 | 312 | 273 | 218 | 182 | 156 | 137 | 121 | 109 | 87.4 | 72.8 | 62.4 |
| | | 5.0 | C | 2.04 | 612 | 490 | 408 | 350 | 306 | 245 | 204 | 175 | 153 | 136 | 122 | 97.9 | 81.6 | 69.9 |
| 6.0 | C | 2.23 | 669 | 535 | 446 | 382 | 335 | 268 | 223 | 191 | 167 | 149 | 134 | 107 | 89.2 | 76.5 | | |
| BROWN | 11005-VP (50 MESH) | 1.0 | UC | 1.14 | 342 | 274 | 228 | 195 | 171 | 137 | 114 | 97.7 | 85.5 | 76.0 | 68.4 | 54.7 | 45.6 | 39.1 |
| | | 1.5 | XC | 1.39 | 417 | 334 | 278 | 238 | 209 | 167 | 139 | 119 | 104 | 92.7 | 83.4 | 66.7 | 55.6 | 47.7 |
| | | 2.0 | XC | 1.61 | 483 | 386 | 322 | 276 | 242 | 193 | 161 | 138 | 121 | 107 | 96.6 | 77.3 | 64.4 | 55.2 |
| | | 2.5 | VC | 1.80 | 540 | 432 | 360 | 309 | 270 | 216 | 180 | 154 | 135 | 120 | 108 | 86.4 | 72.0 | 61.7 |
| | | 3.0 | VC | 1.97 | 591 | 473 | 394 | 338 | 296 | 236 | 197 | 169 | 148 | 131 | 118 | 94.6 | 78.8 | 67.5 |
| | | 4.0 | VC | 2.27 | 681 | 545 | 454 | 389 | 341 | 272 | 227 | 195 | 170 | 151 | 136 | 109 | 90.8 | 77.8 |
| | | 5.0 | C | 2.54 | 762 | 610 | 508 | 435 | 381 | 305 | 254 | 218 | 191 | 169 | 152 | 122 | 102 | 87.1 |
| 6.0 | C | 2.79 | 837 | 670 | 558 | 478 | 419 | 335 | 279 | 239 | 209 | 186 | 167 | 134 | 112 | 95.7 | | |
| GRAY | 11006-VP (50 MESH) | 1.0 | UC | 1.37 | 411 | 329 | 274 | 235 | 206 | 164 | 137 | 117 | 103 | 91.3 | 82.2 | 65.8 | 54.8 | 47.0 |
| | | 1.5 | XC | 1.68 | 504 | 403 | 336 | 288 | 252 | 202 | 168 | 144 | 126 | 112 | 101 | 80.6 | 67.2 | 57.6 |
| | | 2.0 | XC | 1.94 | 582 | 466 | 388 | 333 | 291 | 233 | 194 | 166 | 146 | 129 | 116 | 93.1 | 77.6 | 66.5 |
| | | 2.5 | VC | 2.16 | 648 | 518 | 432 | 370 | 324 | 259 | 216 | 185 | 162 | 144 | 130 | 104 | 86.4 | 74.1 |
| | | 3.0 | VC | 2.37 | 711 | 569 | 474 | 406 | 356 | 284 | 237 | 203 | 178 | 158 | 142 | 114 | 94.8 | 81.3 |
| | | 4.0 | VC | 2.74 | 822 | 658 | 548 | 470 | 411 | 329 | 274 | 235 | 206 | 183 | 164 | 132 | 110 | 93.9 |
| | | 5.0 | C | 3.06 | 918 | 734 | 612 | 525 | 459 | 367 | 306 | 262 | 230 | 204 | 184 | 147 | 122 | 105 |
| 6.0 | C | 3.35 | 1005 | 804 | 670 | 574 | 503 | 402 | 335 | 287 | 251 | 223 | 201 | 161 | 134 | 115 | | |

DESCRIPTION:
LITERS PER HECTARE
TABULATION FOR
AIXR110_VP TEEJET
AIR INDUCTION EXTENDED RANGE
FLAT SPRAY TIP (METRIC)



| | | | |
|--------------|----------|-----------------|---|
| REVISION NO. | 4 | Data Sheet No. | |
| REFERENCE: | 1/9/2017 | DS63540M | |
| SHEET: | 2 OF 3 | DWG SIZE: | A |

| TIP COLOR VISIFLO | TIP No. STRAINER MESH SIZE | LIQUID PRESSURE (bar) | DROPLET SIZE | CAPACITY ONE NOZZLE (l/min) | LITERS PER HECTARE 50 cm NOZZLE SPACING | | | | | | | | | | | | | |
|----------------------|----------------------------------|-----------------------------|-----------------|--------------------------------------|---|-----------|-----------|-----------|-----------|------------|------------|------------|------------|------------|------------|------------|------------|------------|
| | | | | | 4 km/h | 5 km/h | 6 km/h | 7 km/h | 8 km/h | 10 km/h | 12 km/h | 14 km/h | 16 km/h | 18 km/h | 20 km/h | 25 km/h | 30 km/h | 35 km/h |
| WHITE | 11008-VP | 1.0 | UC | 1.82 | 546 | 437 | 364 | 312 | 273 | 218 | 182 | 156 | 137 | 121 | 109 | 87.4 | 72.8 | 62.4 |
| | | 1.5 | UC | 2.23 | 669 | 535 | 446 | 382 | 335 | 268 | 223 | 191 | 167 | 149 | 134 | 107 | 89.2 | 76.5 |
| | | 2.0 | XC | 2.58 | 774 | 619 | 516 | 442 | 387 | 310 | 258 | 221 | 194 | 172 | 155 | 124 | 103 | 88.5 |
| | | 2.5 | XC | 2.88 | 864 | 691 | 576 | 494 | 432 | 346 | 288 | 247 | 216 | 192 | 173 | 138 | 115 | 98.7 |
| | | 3.0 | VC | 3.16 | 948 | 758 | 632 | 542 | 474 | 379 | 316 | 271 | 237 | 211 | 190 | 152 | 126 | 108 |
| | | 4.0 | VC | 3.65 | 1095 | 876 | 730 | 626 | 548 | 438 | 365 | 313 | 274 | 243 | 219 | 175 | 146 | 125 |
| | | 5.0 | VC | 4.08 | 1224 | 979 | 816 | 699 | 612 | 490 | 408 | 350 | 306 | 272 | 245 | 196 | 163 | 140 |
| | | 6.0 | C | 4.47 | 1341 | 1073 | 894 | 766 | 671 | 536 | 447 | 383 | 335 | 298 | 268 | 215 | 179 | 153 |
| LIGHT BLUE | 11010-VP | 1.0 | UC | 2.28 | 684 | 547 | 456 | 391 | 342 | 274 | 228 | 195 | 171 | 152 | 137 | 109 | 91.2 | 78.2 |
| | | 1.5 | UC | 2.79 | 837 | 670 | 558 | 478 | 419 | 335 | 279 | 239 | 209 | 186 | 167 | 134 | 112 | 95.7 |
| | | 2.0 | UC | 3.23 | 969 | 775 | 646 | 554 | 485 | 388 | 323 | 277 | 242 | 215 | 194 | 155 | 129 | 111 |
| | | 2.5 | XC | 3.61 | 1083 | 866 | 722 | 619 | 542 | 433 | 361 | 309 | 271 | 241 | 217 | 173 | 144 | 124 |
| | | 3.0 | XC | 3.95 | 1185 | 948 | 790 | 677 | 593 | 474 | 395 | 339 | 296 | 263 | 237 | 190 | 158 | 135 |
| | | 4.0 | VC | 4.56 | 1368 | 1094 | 912 | 782 | 684 | 547 | 456 | 391 | 342 | 304 | 274 | 219 | 182 | 156 |
| | | 5.0 | VC | 5.10 | 1530 | 1224 | 1020 | 874 | 765 | 612 | 510 | 437 | 383 | 340 | 306 | 245 | 204 | 175 |
| | | 6.0 | VC | 5.59 | 1677 | 1342 | 1118 | 958 | 839 | 671 | 559 | 479 | 419 | 373 | 335 | 268 | 224 | 192 |

DESCRIPTION:
LITERS PER HECTARE
TABULATION FOR
AIXR110_VP TEEJET
AIR INDUCTION EXTENDED RANGE
FLAT SPRAY TIP (METRIC)



REVISION NO. 4

REFERENCE: 1/9/2017

Data Sheet No.
DS63540M

SHEET: 3 OF 3 DWG SIZE: A