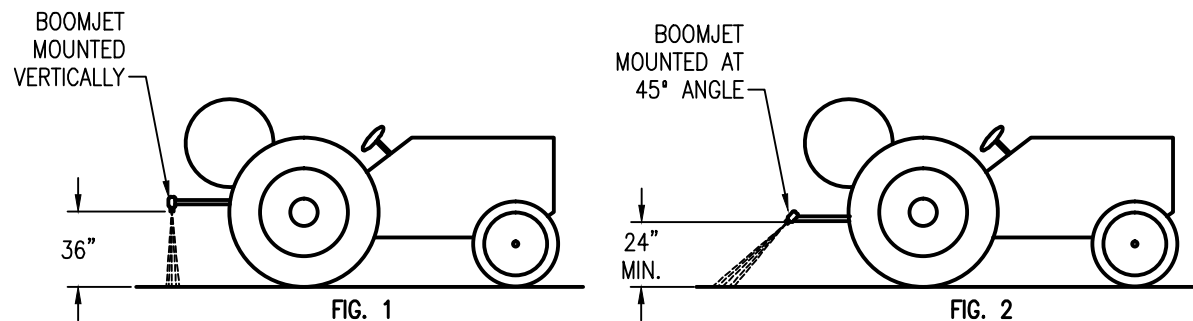
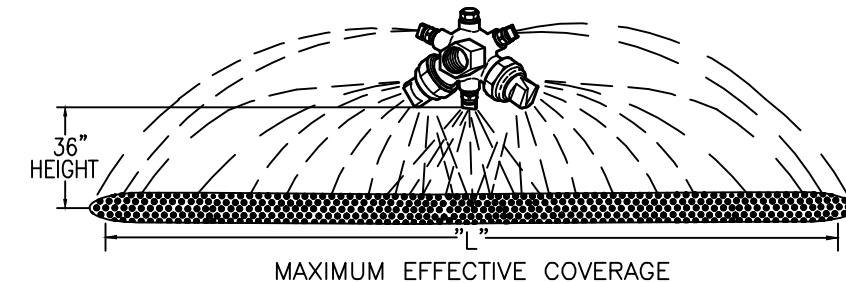
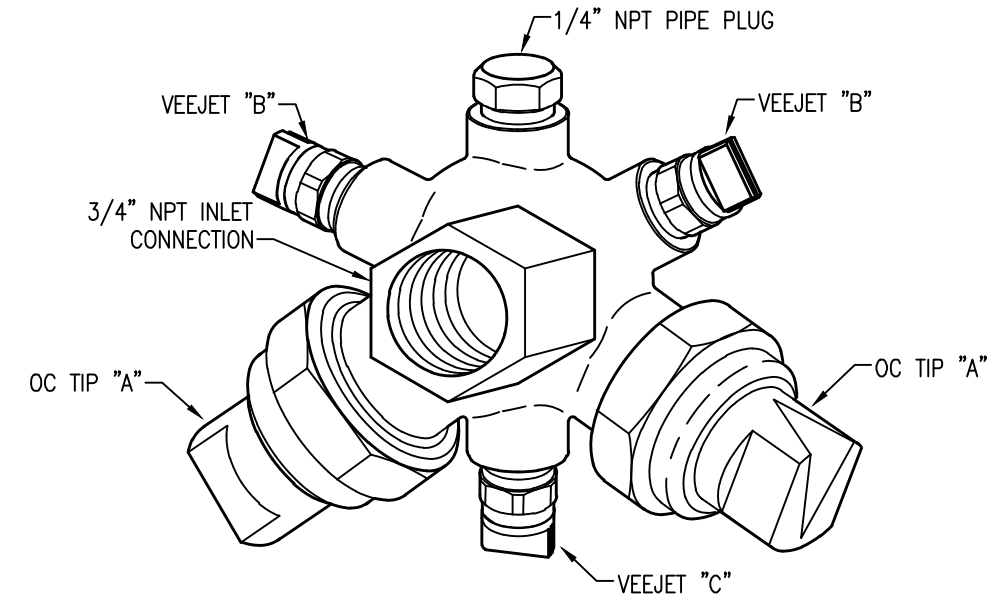



BoomJet[®] BOOMLESS FLAT SPRAY NOZZLE

NOZZLE NO.	OC TIP "A"	VEEJET "B"	VEEJET "C"	LIQUID PRESSURE (PSI)	TOTAL CAPACITY (GPM)	COVERAGE "L" (FEET)	GALLONS PER ACRE						
							3 MPH	4 MPH	5 MPH	6 MPH	8 MPH	10 MPH	15 MPH
5880-3/4-2TOC06	6733-OC06	H1/4W-1506	H1/4W-9502	15	1.59	33.0	8.0	6.0	4.8	4.0	3.0	2.4	1.6
				20	1.84	33.5	9.1	6.8	5.4	4.5	3.4	2.7	1.8
				30	2.25	34.0	10.9	8.2	6.6	5.5	4.1	3.3	2.2
				40	2.60	34.5	12.4	9.3	7.5	6.2	4.7	3.7	2.5
5880-3/4-2TOC10	OC10	H1/4U-0508HE	H1/4W-11004	60	3.18	35.0	15.0	11.2	9.0	7.5	5.6	4.5	3.0
				10	2.00	38.0	8.7	6.5	5.2	4.3	3.3	2.6	1.7
				15	2.45	39.0	10.4	7.8	6.2	5.2	3.9	3.1	2.1
				20	2.83	39.5	11.8	8.9	7.1	5.9	4.4	3.5	2.4
5880-3/4-2TOC20	OC20	H1/4U-0520HE	H1/4W-9506	30	3.46	40.0	14.3	10.7	8.6	7.1	5.4	4.3	2.9
				40	4.00	40.5	16.3	12.2	9.8	8.1	6.1	4.9	3.3
				60	4.90	41.0	19.7	14.8	11.8	9.9	7.4	5.9	3.9
				10	4.30	41.0	17.3	13.0	10.4	8.7	6.5	5.2	3.5
5880-3/4-2TOC20	OC20	H1/4U-0520HE	H1/4W-9506	15	5.27	43.0	20	15.2	12.1	10.1	7.6	6.1	4.0
				20	6.08	47.0	21	16.0	12.8	10.7	8.0	6.4	4.3
				30	7.45	50.0	25	18.4	14.8	12.3	9.2	7.4	4.9
				40	8.60	52.0	27	20	16.4	13.6	10.2	8.2	5.5
5880-3/4-2TOC40	OC40	H1/4U-0540HE	H1/4U-9510	60	10.5	54.0	32	24	19.3	16.0	12.0	9.6	6.4
				10	8.50	48.0	29	22	17.5	14.6	11.0	8.8	5.8
				15	10.4	52.0	33	25	19.8	16.5	12.4	9.9	6.6
				20	12.0	56.0	35	27	21	17.7	13.3	10.6	7.1
5880-3/4-2TOC40	OC40	H1/4U-0540HE	H1/4U-9510	30	14.7	60.0	40	30	24	20	15.2	12.1	8.1
				40	17.0	63.0	45	33	27	22	16.7	13.4	8.9
				60	20.8	66.0	52	39	31	26	19.5	15.6	10.4



THE TABULATION IS BASED ON THE BOOMJET SPRAYING IN A VERTICAL POSITION AT A HEIGHT OF 36" (SEE FIG. 1). THE NOZZLE WILL ALSO OPERATE SATISFACTORILY MOUNTED IN AN INCLINED POSITION AT ANY ANGLE UP TO 45° AND AT ANY HEIGHT FROM 24" TO 36" ABOVE THE SURFACE (SEE FIG. 2). THE ANGLE MOUNTING REDUCES THE HEIGHT OF THE SPRAY AND LESSENS THE EFFECT OF WIND DRIFTAGE. HOWEVER, WHEN THE HEIGHT OF THE NOZZLE IS LOWERED, THERE WILL BE A SLIGHT REDUCTION IN TOTAL COVERAGE AND A RESULTING INCREASE IN THE APPLICATION RATE.

NOTE: UNLESS OTHERWISE SPECIFIED THE #5880 BOOMJET IS FURNISHED WITH A 1/4" PIPE PLUG - AS SHOWN ABOVE. EACH NOZZLE COMES EQUIPPED WITH AN EXTRA PIPE PLUG AND BLANK DISC TO BE USED WHEN SPRAYING TO ONLY ONE SIDE. VEEJET "C" FURNISHED WITH 50 MESH STRAINER - EXCEPT IN #5880 - 3/4 - 2TOC40.

DESCRIPTION: 5880-3/4-2TOC BOOMJET NOZZLE APPLICATION RATES	 Spraying Systems Co.[®] Spray Nozzles and Accessories P.O. Box 7900 - Wheaton, IL 60187-7901	
Ref.		5880
		SHEET OF