

# HOW TO ORDER: QJS TURRET SERIES

# QJS - D - 20mm - CM - 3 - P

SPLIT EYELET STYLE	
CODE	DESCRIPTION
D	STANDARD
I	HIGH STRENGTH INLET

FLOWMETER	
CODE	POSITION
A	SIDE A
B	SIDE B
C	BOTH
BLANK	NONE

CLAMP SIZES	
CODE	DESCRIPTION
20mm	20mm TUBING
25mm	25mm TUBING
28mm	28mm TUBING
1/2	1/2" PIPE
3/4	3/4" PIPE
1	1" PIPE

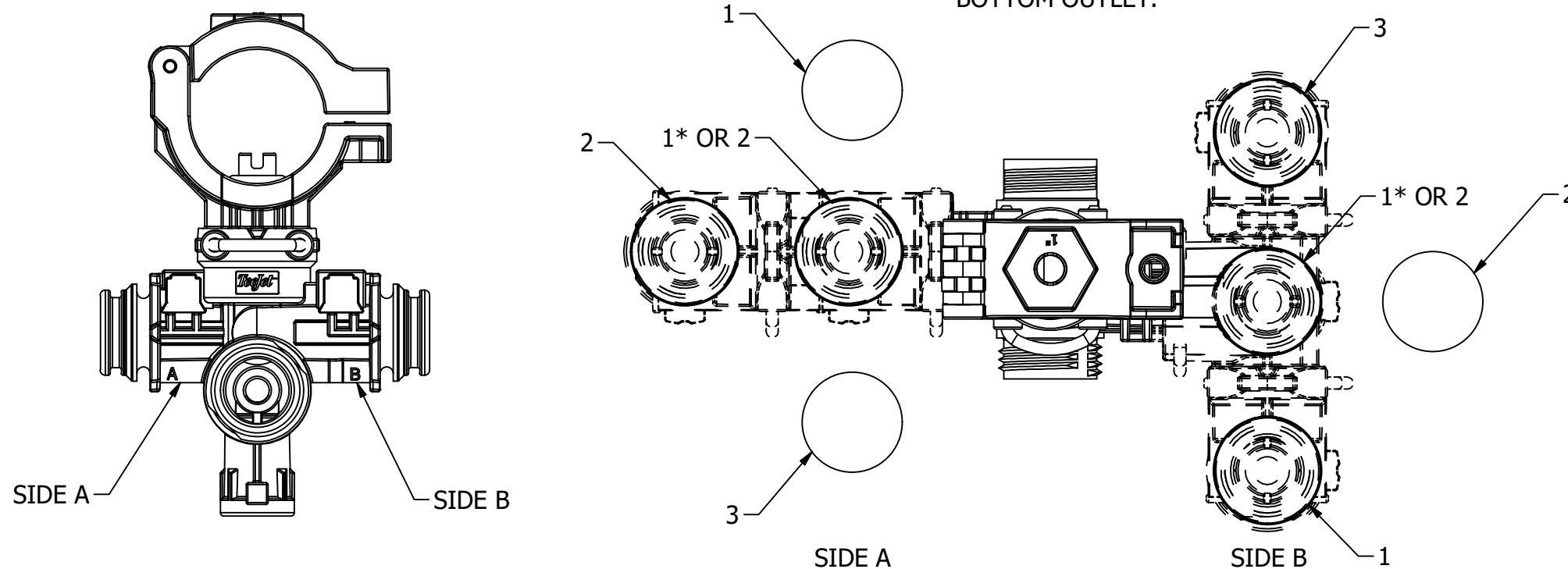
TOP SHUTOFF TYPE	
CODE	DESCRIPTION
C	STANDARD CHEMSAVER
M	MANUAL CHEMSAVER
E	12v e-CHEMSAVER
V	24v e-CHEMSAVER
A	AIR CHEMSAVER
X	NO CHEMSAVER

BOTTOM SHUTOFF TYPE	
CODE	DESCRIPTION
C	STANDARD CHEMSAVER
M	MANUAL CHEMSAVER
E	12v e-CHEMSAVER
V	24v e-CHEMSAVER
A	AIR CHEMSAVER
X	NO CHEMSAVER

TURRET/SHUTOFF TYPE	
CODE	DESCRIPTION
3	3 OUTLET TURRET BODY
5	5 OUTLET TURRET BODY
C	BODY W/ 10 PSI CHECK VALVE
M	BODY W/ MANUAL CHEMSAVER
E	BODY W/ 12v e-CHEMSAVER
V	BODY W/ 24v e-CHEMSAVER
A	BODY W/ AIR CHEMSAVER
X	BODY W/O CHEMSAVER
P	END CAP
BLANK	NONE

\*TOP SHUTOFF CONTROLS SIDE A AND B; BOTTOM SHUTOFF CONTROLS BOTTOM OUTLET.

\*POSITION 1 REPRESENTS OUTLET NEAREST BOOM OR FAR LEFT. CODE 3, 5 OR P CAN ONLY BE SELECTED AT POSITION 1. IF CODE 3, 5 OR P IS SELECTED, POSITION 2 AND 3 MUST BE BLANK.

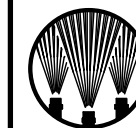


## NOTE:

- ASSEMBLIES ARE ORIENTED WITH THE SPLIT EYELET POINTING FORWARD; IN THIS ORIENTATION SIDE A IS THE CLOSER SIDE.
- POSITION 1\* REPRESENTS THE OUTLET NEAREST THE BOOM (WHEN STACKING PERPENDICULAR TO THE BOOM) OR THE FAR LEFT (STACKING PARALLEL TO THE BOOM).

## DESCRIPTION:

ORDERING INFORMATION FOR QJS TURRET STYLE STACKABLE QUICK TEEJET® NOZZLE BODIES



**Spraying Systems Co.**  
Spray Nozzles and Accessories  
P.O. Box 7900 - Wheaton, IL 60189-7900

REVISION NO.	1	DATA SHEET	
REFERENCE:	07/16/2019	DS58585-1	
SHEET:		DWG SIZE:	B