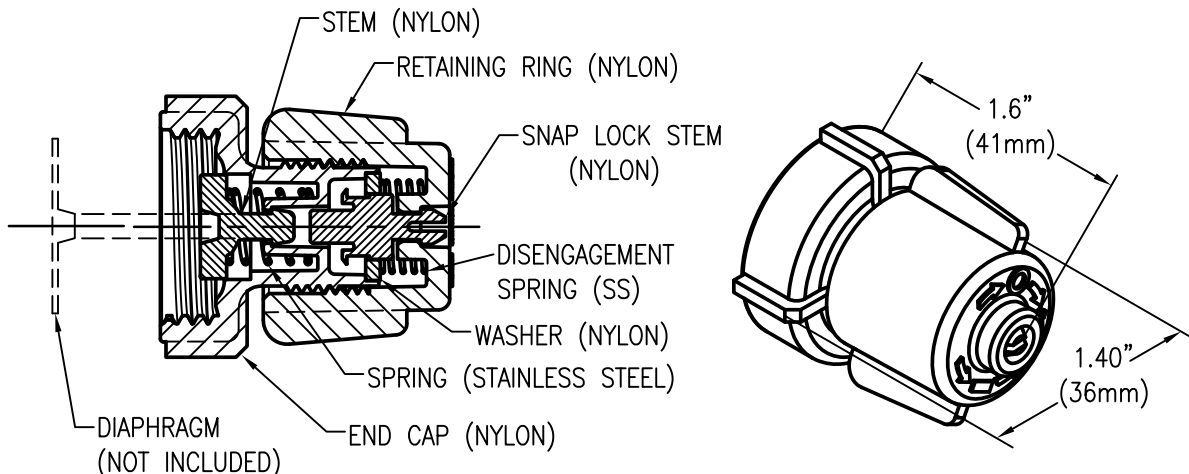
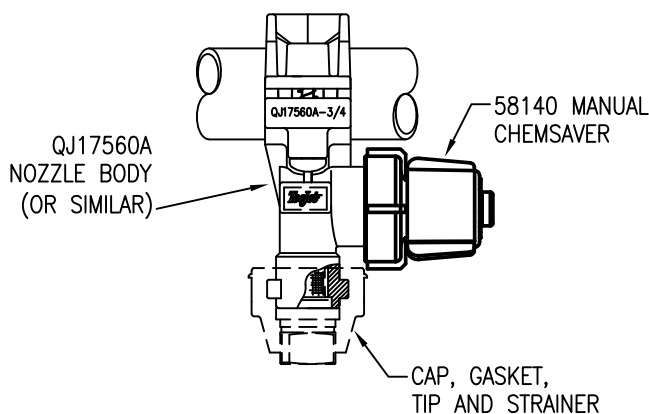


TeeJet® 58140 MANUAL CHEMSAVER® INDIVIDUAL TIP SHUT-OFF



TYPICAL SETUP:



FEATURES:

- CAN BE INSTALLED ON ANY QUICK TEEJET NOZZLE BODY UTILIZING A STANDARD DIAPHRAGM CHECK VALVE.
- ALLOWS FOR MANUAL SHUT OFF OF INDIVIDUAL NOZZLE BODIES.
- DISENGAGEMENT SPRING INSURES MANUAL CHEMSAVER WILL STAY OPEN.
- WITH RETAINING RING IN FULLY OPEN POSITION (TURN COUNTERCLOCKWISE), FUNCTIONS LIKE A STANDARD 10-PSI DIAPHRAGM CHECK VALVE.
- WITH RETAINING RING IN FULLY CLOSED POSITION (TURN CLOCKWISE), ALL FLOW THROUGH NOZZLE BODY IS SHUT OFF.
- FOR PRESSURES UP TO 150 PSI (10 BAR).

HOW TO ORDER:

- 58140-NYB

DESCRIPTION:

**58140-NYB
MANUAL CHEMSAVER®
INDIVIDUAL TIP SHUT-OFF
DIAPHRAGM CHECK VALVE
FOR TEEJET® NOZZLE BODIES**



Spraying Systems Co.®

**Spray Nozzles and Accessories
P.O. Box 7900 - Wheaton, IL 60187-7901**

Rev. No. 2

Ref. 6/11/2011

DATA SHEET

58140

SHEET OF