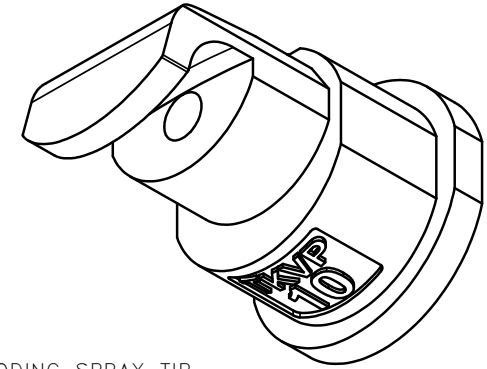


FloodJet®

WIDE ANGLE FLAT SPRAY TIPS - WITH *VisiFlo* COLOR CODING

*WIDE SPRAY ANGLE NOZZLE HEIGHT IS INFLUENCED BY NOZZLE ORIENTATION. THE CRITICAL FACTOR IS TO ACHIEVE A MINIMUM 30% OVERLAP.



TIP COLOR VISIFLO	TIPO	LIQUID PRESSURE (bar)	DROP SIZE	CAPACITY 1 NOZZLE (l/min)	LITERS PER HECTARE 100 SPACING								SPRAY ANGLE AT 3 bar
					4	5	6	8	10	12	15	20	
YELLOW	TK-VP1 (100)	1	M	0.46	69.0	55.2	46.0	34.5	27.6	23.0	18.4	13.8	110°
		1.5	F	0.56	84.0	67.2	56.0	42.0	33.6	28.0	22.4	16.8	
		2	F	0.65	97.5	78.0	65.0	48.8	39.0	32.5	26.0	19.5	
		3	F	0.80	120	96.0	80.0	60.0	48.0	40.0	32.0	24.0	
BLUE	TK-VP1.5 (50)	1	M	0.68	102	81.6	68.0	51.0	40.8	34.0	27.2	20.4	115°
		1.5	F	0.83	125	99.6	83.0	62.3	49.8	41.5	33.2	24.9	
		2	F	0.96	144	115	96.0	72.0	57.6	48.0	38.4	28.8	
		3	F	1.18	177	142	118	88.5	70.8	59.0	47.2	35.4	
RED	TK-VP2 (50)	1	M	0.91	137	109	91.0	68.3	54.6	45.5	36.4	27.3	125°
		1.5	F	1.11	167	133	111	83.3	66.6	55.5	44.4	33.3	
		2	F	1.29	194	155	129	96.8	77.4	64.5	51.6	38.7	
		3	F	1.58	237	190	158	119	94.8	79.0	63.2	47.4	
BROWN	TK-VP2.5 (50)	1	M	1.14	171	137	114	85.5	68.4	57.0	45.6	34.2	125°
		1.5	M	1.40	210	168	140	105	84.0	70.0	56.0	42.0	
		2	F	1.61	242	193	161	121	96.6	80.5	64.4	48.3	
		3	F	1.97	296	236	197	148	118	98.5	78.8	59.1	
GREY	TK-VP3 (50)	1	C	1.37	206	164	137	103	82.2	68.5	54.8	41.1	125°
		1.5	M	1.68	252	202	168	126	101	84.0	67.2	50.4	
		2	F	1.94	291	233	194	146	116	97.0	77.6	58.2	
		3	F	2.37	356	284	237	178	142	119	94.8	71.1	
WHITE	TK-VP4 (50)	1	C	1.82	273	218	182	137	109	91.0	72.8	54.6	135°
		1.5	M	2.23	335	268	223	167	134	112	89.2	66.9	
		2	M	2.57	386	308	257	193	154	129	103	77.1	
		3	F	3.15	473	378	315	236	189	158	126	94.5	
LIGHT BLUE	TK-VP5 (50)	1	C	2.28	342	274	228	171	137	114	91.2	68.4	135°
		1.5	M	2.79	419	335	279	209	167	140	112	83.7	
		2	M	3.22	483	386	322	242	193	161	129	96.6	
		3	F	3.95	593	474	395	296	237	198	158	119	
LIGHT GREEN	TK-VP7.5 (50)	1	VC	3.42	513	410	342	257	205	171	137	103	140°
		1.5	C	4.19	629	503	419	314	251	210	168	126	
		2	C	4.84	726	581	484	363	290	242	194	145	
		3	C	5.92	888	710	592	444	355	296	237	178	
BLACK	TK-VP10 (50)	1	VC	4.56	684	547	456	342	274	228	182	137	145°
		1.5	C	5.58	837	670	558	419	335	279	223	167	
		2	C	6.45	968	774	645	484	387	323	258	194	
		3	C	7.90	1185	948	790	593	474	395	316	237	

TABULATION BASED ON SPRAYING WATER AT 21°C.

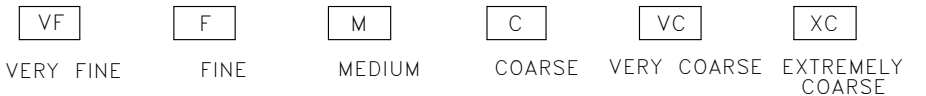
FEATURES

- ° ECONOMICAL PLASTIC FLOODING SPRAY TIP
- ° AUTOMATIC SPRAY TIP ALIGNMENT WHEN USED WITH QUICK TEEJET NOZZLE ASSEMBLIES. FITS CAP #CP25599-*--NY & GASKET CP19438-EPR OR CP19438-VI. CAP AND EPR GASKET CAN BE ORDERED TOGETHER UNDER PART NUMBER 25600-*--NYR.
- ° WIDE SPRAY PATTERN AT LOW PRESSURE PROVIDES LARGER DROPLETS FOR LESS DRIFT
- ° MINIMAL CLOGGING POTENTIAL

TYPICAL USES

- ° IDEAL FOR SMALL PULL BEHIND AND ATV TYPE SPRAYERS

DROPLET SIZE CATEGORIES



DESCRIPTION:
LITERS PER HECTARE TABULATION
FOR TYPE TK-VP
FLOODJET SPRAY TIPS
BASED ON 100 cm SPACING
METRIC



Spraying Systems Co.®
Spray Nozzles and Accessories
P.O. Box 7900 - Wheaton, IL 60187-7901

REVISION NO.

REFERENCE: 10/1/2009

DS55253M

SHEET: 1 OF 1

DWG SIZE: B