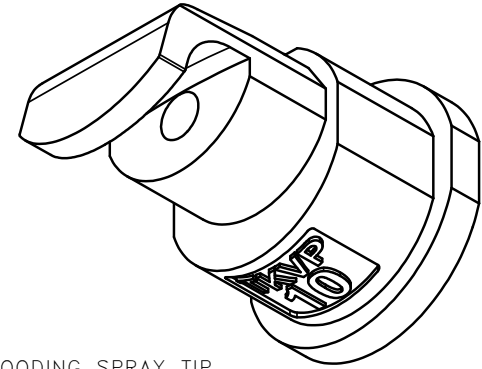


*WIDE SPRAY ANGLE NOZZLE HEIGHT IS INFLUENCED BY NOZZLE ORIENTATION. THE CRITICAL FACTOR IS TO ACHIEVE A MINIMUM 30% OVERLAP.

FloodJet®

WIDE ANGLE FLAT SPRAY TIPS - WITH *VisiFlo* COLOR CODING



TIP COLOR VISIFLO		LIQUID PRESSURE (PSI)	DROP SIZE	CAPACITY 1 NOZZLE (GPM)	CAPACITY 1 NOZZLE (oz/ min)	GALLONS PRE ACRE 40" SPACING										SPRAY ANGLE AT 40 PSI
						4	5	6	8	10	12	15	20			
YELLOW	TK-VP1 (100)	10	C	0.10	13	3.7	3.0	2.5	1.9	1.5	1.2	1.0	0.7	110°		
		20	M	0.14	18	5.2	4.2	3.5	2.6	2.1	1.7	1.4	1.0			
		30	F	0.17	22	6.3	5.0	4.2	3.2	2.5	2.1	1.7	1.3			
		40	F	0.20	26	7.4	5.9	5.0	3.7	3.0	2.5	2.0	1.5			
BLUE	TK-VP1.5 (50)	10	C	0.15	19	5.6	4.5	3.7	2.8	2.2	1.9	1.5	1.1	115°		
		20	M	0.21	27	7.8	6.2	5.2	3.9	3.1	2.6	2.1	1.6			
		30	F	0.26	33	9.7	7.7	6.4	4.8	3.9	3.2	2.6	1.9			
		40	F	0.30	38	11.1	8.9	7.4	5.6	4.5	3.7	3.0	2.2			
RED	TK-VP2 (50)	10	C	0.20	26	7.4	5.9	5.0	3.7	3.0	2.5	2.0	1.5	125°		
		20	M	0.28	36	10.4	8.3	6.9	5.2	4.2	3.5	2.8	2.1			
		30	F	0.35	45	13.0	10.4	8.7	6.5	5.2	4.3	3.5	2.6			
		40	F	0.40	51	14.9	11.9	9.9	7.4	5.9	5.0	4.0	3.0			
BROWN	TK-VP2.5 (50)	10	C	0.25	32	9.3	7.4	6.2	4.6	3.7	3.1	2.5	1.9	125°		
		20	M	0.35	45	13.0	10.4	8.7	6.5	5.2	4.3	3.5	2.6			
		30	F	0.43	55	16.0	12.8	10.6	8.0	6.4	5.3	4.3	3.2			
		40	F	0.50	64	18.6	14.9	12.4	9.3	7.4	6.2	5.0	3.7			
GREY	TK-VP3 (50)	10	C	0.30	38	11.1	8.9	7.4	5.6	4.5	3.7	3.0	2.2	125°		
		20	M	0.42	54	15.6	12.5	10.4	7.8	6.2	5.2	4.2	3.1			
		30	F	0.52	67	19.3	15.4	12.9	9.7	7.7	6.4	5.1	3.9			
		40	F	0.60	77	22	17.8	14.9	11.1	8.9	7.4	5.9	4.5			
WHITE	TK-VP4 (50)	10	C	0.40	51	14.9	11.9	9.9	7.4	5.9	5.0	4.0	3.0	135°		
		20	M	0.57	73	21	16.9	14.1	10.6	8.5	7.1	5.6	4.2			
		30	M	0.69	88	26	20	17.1	12.8	10.2	8.5	6.8	5.1			
		40	F	0.80	102	30	24	19.8	14.9	11.9	9.9	7.9	5.9			
LIGHT BLUE	TK-VP5 (50)	10	C	0.50	64	18.6	14.9	12.4	9.3	7.4	6.2	5.0	3.7	135°		
		20	M	0.71	91	26	21	17.6	13.2	10.5	8.8	7.0	5.3			
		30	M	0.87	111	32	26	22	16.1	12.9	10.8	8.6	6.5			
		40	F	1.0	128	37	30	25	18.6	14.9	12.4	9.9	7.4			
LIGHT GREEN	TK-VP7.5 (50)	10	VC	0.75	96	28	22	18.6	13.9	11.1	9.3	7.4	5.6	140°		
		20	C	1.1	141	41	33	27	20	16.3	13.6	10.9	8.2			
		30	C	1.3	166	48	39	32	24	19.3	16.1	12.9	9.7			
		40	C	1.5	192	56	45	37	28	22	18.6	14.9	11.1			
BLACK	TK-VP10 (50)	10	XC	1.0	128	37	30	25	18.6	14.9	12.4	9.9	7.4	145°		
		20	VC	1.4	179	52	42	35	26	21	17.3	13.9	10.4			
		30	C	1.7	218	63	50	42	32	25	21	16.8	12.6			
		40	C	2.0	256	74	59	50	37	30	25	19.8	14.9			

TABULATION BASED ON SPRAYING WATER AT 70°F.

FEATURES

- * ECONOMICAL PLASTIC FLOODING SPRAY TIP
- * AUTOMATIC SPRAY TIP ALIGNMENT WHEN USED WITH QUICK TEEJET NOZZLE ASSEMBLIES. FITS CAP #CP25599-*--NY & GASKET CP19438-EPR OR CP19438-VI. CAP AND EPR GASKET CAN BE ORDERED TOGETHER UNDER PART NUMBER 25600-*--NYR.
- * WIDE SPRAY PATTERN AT LOW PRESSURE PROVIDES LARGER DROPLETS FOR LESS DRIFT
- * MINIMAL CLOGGING POTENTIAL

TYPICAL USES

- * IDEAL FOR SMALL PULL BEHIND AND ATV TYPE SPRAYERS

DROPLET SIZE CATEGORIES



DESCRIPTION:

GALLONS PRE ACRE TABULATION FOR TYPE TK-VP FLOODJET SPRAY TIPS BASED ON 40" SPACING



Spraying Systems Co.®
 Spray Nozzles and Accessories
 P.O. Box 7900 - Wheaton, IL 60187-7901

REVISION NO.

REFERENCE: 10/1/2009

DS55253

SHEET: 1 OF 1

DWG SIZE: B