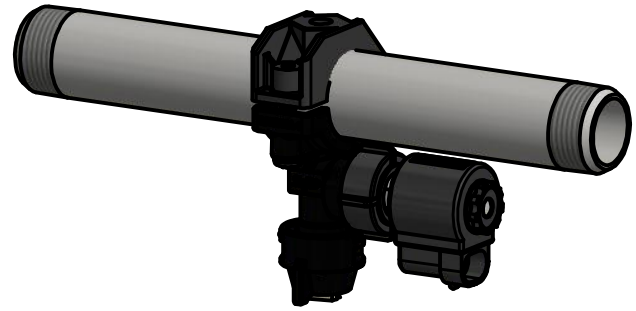
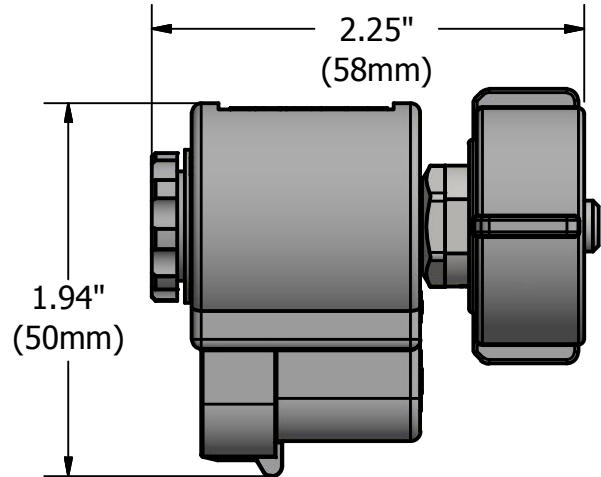


FEATURES:

- ELECTRIC SOLENOID SHUT-OFF VALVE
- VALVE IS NORMALLY CLOSED FOR SAFETY
- MAXIMUM 80 PSI (5.5 BAR) SPRAYING PRESSURE AT MINIMUM VOLTAGE (24V)
- 0.6 GPM (2.27 LPM) AT 5 PSI (0.34 BAR) PRESSURE DROP
- 0.9 GPM (3.41 LPM) AT 10 PSI (0.69 BAR) PRESSURE DROP
- ALL WETTABLE PARTS ARE STAINLESS STEEL OR VITON® EQUIVALENT
- CURRENT DRAW OF 0.7 AMPS (15 WATTS) AT 24 VOLTS
- ELECTRIC CHARGE ENERGIZES THE SOLENOID COIL TO OPEN THE VALVE
- REMOVAL OF THE CHARGE ALLOWS A SPRING TO CLOSE THE VALVE
- REQUIRES 98552 CABLE w/ 2-PIN FEMALE METRI-PACK CONNECTOR



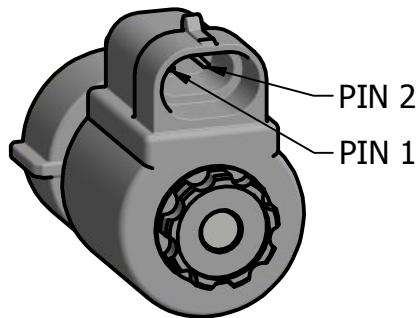
TYPICAL BOOM SET UP



WIRING CHART

PIN TERMINAL	WIRING
1	(+) POSITIVE
2	(-) NEGATIVE

NOTE: (+) & (-) TERMINALS CAN BE INTERCHANGED.



APPLICATION CHART

TEEJET® NOZZLE BODY	e-CHEMSAVER® P/N
QJ8360, QJT8360, 8360	55295-1-24
QJ17560A	55295-1-24
QJP19011	55295-1-24
QJ200 SERIES	55295-1-24
QJ300 SERIES	55295-1-24
QJ360E	55295-1-24
QJ39685	55295-1-24
13431	55295-1-24
24216A, 24230A, 24231A	55295-1-24
PUSH-TO-CONNECT SERIES	55295-1-24
QJ360C, QJ360F	55295-2-24
QJ370	55295-2-24
QJ22187	55295-2-24
QJ8355, 8355	55295-2-24
QJS SERIES	55295-4-24

HOW TO ORDER: 55295-__-24-__

TYPE (SEE APPLICATION CHART)

VOLTAGE

CABLE LENGTH CODE

BLANK = NO CABLE

05 = 0.5 METER (20")

15 = 1.5 METER (60")

30 = 3.0 METER (120")

60 = 6.0 METER (240")

200 = 20.0 METER (800")

98552-__-__: CABLE (SEE DATA SHEET DS98552)

VITON® IS A TRADEMARK OF DUPONT DOW ELASTOMERS

DESCRIPTION:

55295-1-24, 55295-2-24, 55295-4-24
e-CHEMSAVER®
SOLENOID OPERATED
ELECTRIC SHUT-OFF VALVE

TeeJet
TECHNOLOGIES

REVISION NO.

3

REFERENCE:

06/29/2017

DATA SHEET

DS55295-24

SHEET:

DWG SIZE:

A