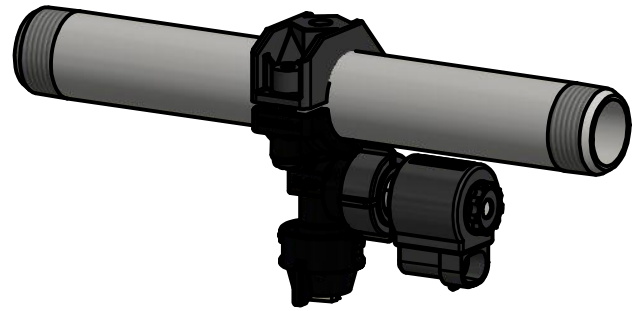
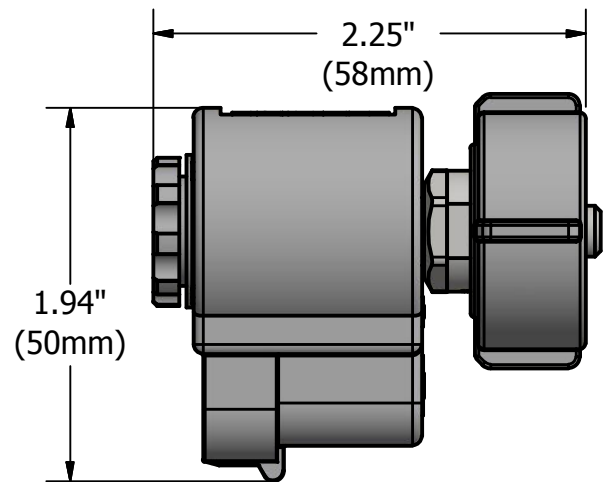


## FEATURES:

- ELECTRIC SOLENOID SHUT-OFF VALVE
- VALVE IS NORMALLY CLOSED FOR SAFETY
- MAXIMUM 80 PSI (5.5 BAR) SPRAYING PRESSURE AT MINIMUM VOLTAGE (13.8V)
- 0.6 GPM (2.27 LPM) AT 5 PSI (0.34 BAR) PRESSURE DROP
- 0.9 GPM (3.41 LPM) AT 10 PSI (0.69 BAR) PRESSURE DROP
- ALL WETTABLE PARTS ARE STAINLESS STEEL OR VITON® EQUIVALENT
- CURRENT DRAW OF 0.9 AMPS (10 WATTS) AT 12 VOLTS
- ELECTRIC CHARGE ENERGIZES THE SOLENOID COIL TO OPEN THE VALVE
- REMOVAL OF THE CHARGE ALLOWS A SPRING TO CLOSE THE VALVE
- REQUIRES 98552 CABLE w/ 2-PIN FEMALE METRI-PACK CONNECTOR



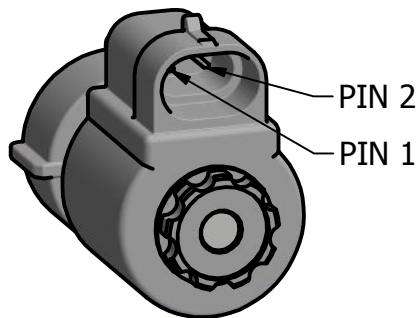
TYPICAL BOOM SET UP



## WIRING CHART

PIN TERMINAL	WIRING
1	(+) POSITIVE
2	(-) NEGATIVE

NOTE: (+) & (-) TERMINALS CAN BE INTERCHANGED.



## APPLICATION CHART

TEEJET® NOZZLE BODY	e-CHEMSAVER® P/N
QJ8360, QJT8360, 8360	55295-1-12
QJ17560A	55295-1-12
QJP19011	55295-1-12
QJ200 SERIES	55295-1-12
QJ300 SERIES	55295-1-12
QJ360E	55295-1-12
QJ39685	55295-1-12
13431	55295-1-12
24216A, 24230A, 24231A	55295-1-12
PUSH-TO-CONNECT SERIES	55295-1-12
QJ360C, QJ360F	55295-2-12
QJ370	55295-2-12
QJ22187	55295-2-12
QJ8355, 8355	55295-2-12
QJS SERIES	55295-4-12

## HOW TO ORDER: 55295-\_\_-12-\_\_

TYPE (SEE APPLICATION CHART) →

VOLTAGE →

CABLE LENGTH CODE →

BLANK = NO CABLE

05 = 0.5 METER (20")

15 = 1.5 METER (60")

30 = 3.0 METER (120")

60 = 6.0 METER (240")

200 = 20.0 METER (800")

98552-\_\_-\_\_: CABLE (SEE DATA SHEET DS98552)

VITON® IS A TRADEMARK OF DUPONT DOW ELASTOMERS

## DESCRIPTION:

55295-1-12, 55295-2-12, 55295-4-12  
e-CHEMSAVER®  
SOLENOID OPERATED  
ELECTRIC SHUT-OFF VALVE

**TeeJet**  
TECHNOLOGIES

REVISION NO.

3

REFERENCE:

06/29/2017

DATA SHEET

DS55295-12

SHEET:

DWG SIZE:

A