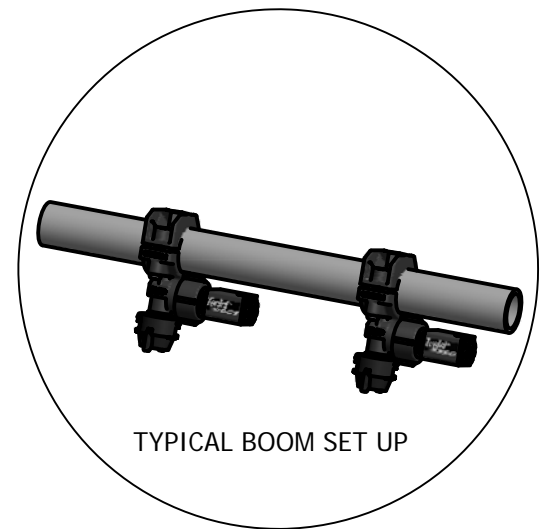
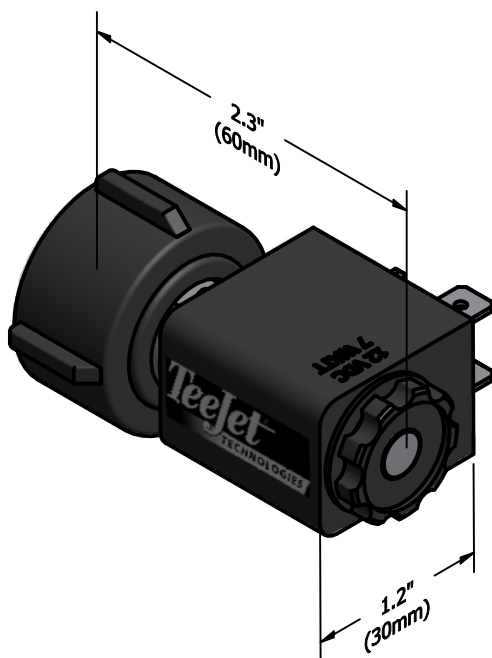


FEATURES:

- ELECTRIC SOLENOID SHUT-OFF VALVE
- VALVE IS NORMALLY CLOSED FOR SAFETY
- MAXIMUM 100 PSI (6.8 BAR) SPRAYING PRESSURE AT MINIMUM VOLTAGE (12V)
- 0.6 GPM (2.27 LPM) AT 5 PSI (0.34 BAR) PRESSURE DROP
- 0.8 GPM (3.03 LPM) AT 10 PSI (0.69 BAR) PRESSURE DROP
- ALL WETTABLE PARTS ARE STAINLESS STEEL OR VITON® EQUIVALENT
- COIL IS RATED AT 12 VOLTS, 7 WATTS
- MAXIMUM CURRENT DRAW OF 0.75 AMPS
- 1/4 SECOND RESPONSE TIME
- ELECTRIC CHARGE ENERGIZES THE SOLENOID COIL TO OPEN THE VALVE
- REMOVAL OF THE CHARGE ALLOWS A SPRING TO CLOSE THE VALVE
- REQUIRES 58480 MINI-DIN CABLE (SEE DS58480)

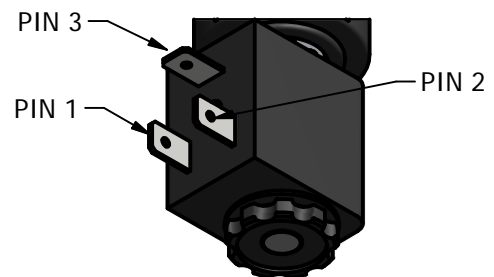


TYPICAL BOOM SET UP

WIRING CHART

PIN TERMINAL	WIRING
1	(+) POSITIVE
2	(-) NEGATIVE
3	CHASIS GROUND

NOTE: (+) & (-) TERMINALS CAN BE INTERCHANGED. CHASIS GROUND CONNECTION IS NOT NECESSARY FOR VALVE OPERATION



APPLICATION CHART

QUICK TEEJET NOZZLE BODY	e-CHEMSAVER NUMBER
8360, QJ8360, QJT8360	55280-1-12
13431	55280-1-12
QJ17560A	55280-1-12
QJ200 SERIES	55280-1-12
QJ300 SERIES	55280-1-12
24216A, 24230A, 24231A	55280-1-12
QJ39685	55280-1-12
QJ360E	55280-1-12
PUSH TO CONNECT SERIES	55280-1-12
QJ360C	55280-2-12
QJ22187	55280-2-12
QJ8355, 8355	55280-2-12
QJS SERIES	55280-4-12

HOW TO ORDER:

55280-1-12: e-CHEMSAVER (SEE APPLICATION CHART)

55280-2-12: e-CHEMSAVER (SEE APPLICATION CHART)

55280-4-12: e-CHEMSAVER (SEE APPLICATION CHART)

58480__-__-__: MINI-DIN CABLE (SEE DS58480)

VITON® IS A TRADEMARK OF DUPONT DOW ELASTOMERS

DESCRIPTION:

55280-1-12, 55280-2-12, 55280-4-12
e-CHEMSAVER®
SOLENOID OPERATED
ELECTRIC SHUT-OFF VALVE



Spraying Systems Co.®
Spray Nozzles and Accessories
P.O. Box 7900 - Wheaton, IL 60189-7900

REVISION NO.

1

REFERENCE:

3-1-2013

Data Sheet No.

DS55280-12

SHEET:

1 OF 1

DWG SIZE:

A