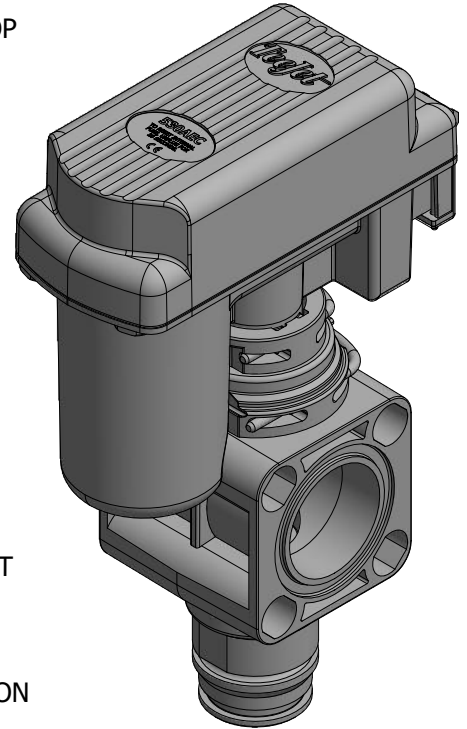


**SPECIFICATIONS:**

- MAXIMUM PRESSURE RATING: 290 PSI (20 BAR) FOR LARGE QUICK CONNECT, THREADED AND 50-SERIES FLANGED CONNECTIONS; 215 PSI (15 BAR) FOR 75-SERIES FLANGED CONNECTIONS
- FLOW RATE: 10 GPM @ 5 PSI (37.9 L/MIN @ 0.34 BAR) PRESSURE DROP
- FLOW RATE: 14 GPM @ 10 PSI (53.0 L/MIN @ 0.68 BAR) PRESSURE DROP
- CURRENT DRAW: 0.5 A
- RESPONSE TIME: 0.7 SEC
- WETTED MATERIALS: POLYPROPYLENE, NYLON, STAINLESS STEEL, FKM
- LENGTH: 5.1" (129 MM); WIDTH: 2.3" (59 MM); HEIGHT: 7.6" (192 MM)

**FEATURES INCLUDE:**

- SOLID STATE CIRCUIT BOARD WITH OPTICAL SWITCHING
- MOTOR HEAD SEALED TO IP67
- CHOICE OF MINI-DIN OR METRI-PACK CONNECTOR
- QUICK RELEASE MOTOR HEAD ALLOWS FOR FIELD INSPECTION
- RESETTABLE INTERNAL FUSE (DISCONNECT POWER FOR 20 SECONDS TO RESET)
- "EC" STYLE MOTOR COMPATIBLE WITH TEEJET® AUTOMATIC BOOM SECTION CONTROLS
- "EC" STYLE MOTOR USES A SINGLE POLE, SINGLE THROW SWITCH
- "E" STYLE MOTOR USES A DOUBLE POLE, DOUBLE THROW SWITCH
- OUTLET CONNECTIONS AVAILABLE IN STRAIGHT OR 90 QUICK CONNECT HOSE BARBS; REFER TO PL45529
- STAINLESS STEEL STEM PROVIDES EXCELLENT DURABILITY AND CHEMICAL RESISTANCE
- STAINLESS STEEL MOUNTING BRACKETS ALLOW FOR EASY INSTALLATION

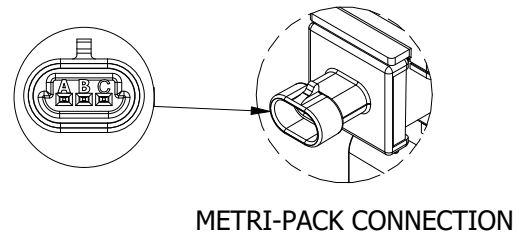
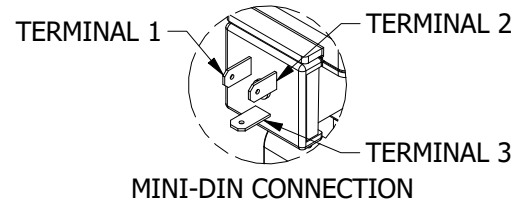
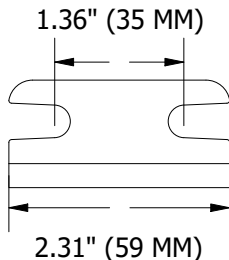


**ORDERING INFORMATION:**

531AEC-2-D: 1 VALVE MANIFOLD, MINI-DIN CONNECTION, SINGLE POLE SINGLE THROW, LQC INLETS  
 533AE-2F50-P: 3 VALVE MANIFOLD, METRI-PACK CONNECTION DOUBLE POLE DOUBLE THROW, 50 SERIES FLANGED INLETS  
 REPLACEMENT 2-WAY VALVE: 118531-EC-\*

58480 \_ \_ \_ : MINI-DIN CABLE (SEE DS58480)  
 98546 \_ \_ \_ : METRI-PACK CABLE (SEE DS98546)

**MOUNTING BRACKET (BOTTOM VIEW)**



WIRING CHART FOR EC & E MOTORS				
MINI-DIN	METRI-PACK	WIRE COLOR	EC MOTOR	E MOTOR*
1	A	RED	CONSTANT +12VDC	+12VDC TO OPEN
3	B	WHITE	SWITCHED +12VDC	NOT USED
2	C	BLACK	GROUND	-12VDC TO OPEN

\*FOR E MOTORS REVERSE POLARITY TO CLOSE. REQUIRES DPDT SWITCH.

**DESCRIPTION:**

530AEC AND 530AE  
 2-WAY DIRECTOVALVE®  
 ELECTRIC SHUT-OFF  
 PLUNGER VALVE MANIFOLD



REVISION NO.	1	Data Sheet No.	
REFERENCE:	09/01/21	DS530AEC-2	
SHEET:	1 OF 1	DWG SIZE:	A