

SPECIFICATIONS:

- MAXIMUM PRESSURE RATING: 150 PSI (10 BAR)
- FLOW RATE: 100 GPM (379 L/MIN) @ 5 PSI (.34 BAR) PRESSURE DROP
- RESPONSE TIME: 0.6 SEC. (25-RPM) FROM CLOSED TO OPEN
- CURRENT DRAW: 2.2 AMPS NOMINAL @ 13.8 VDC
- MATERIALS: POLYPROPYLENE, 316 STAINLESS STEEL, CARBON FILLED TEFLON®, RYTON™, AND VITON®

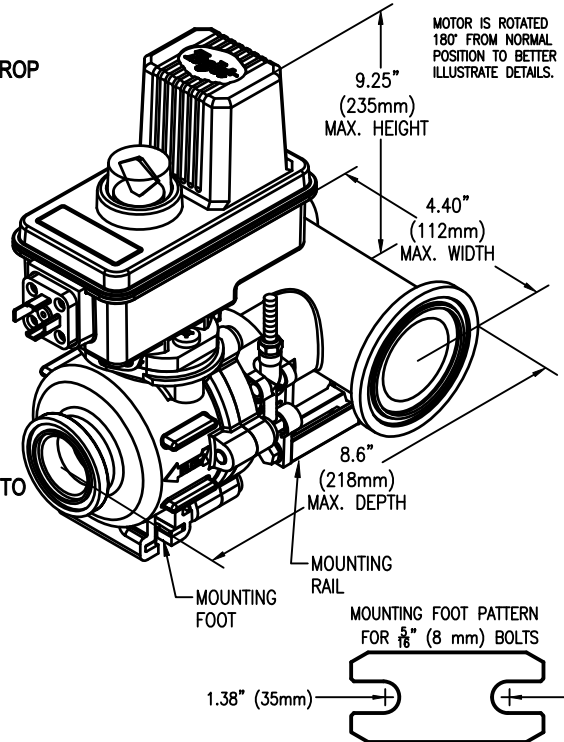
FEATURES INCLUDE:

- STAINLESS STEEL REINFORCED MOUNTING FOOT ON VALVE BODY
- INTEGRAL ALUMINUM MOUNTING RAIL ON BOTTOM OF TEE-BODY; 1.75" (44mm) LONG RAIL ACCEPTS 15/16" OR M8 HEX HEAD BOLTS
- BUILT-IN DIN CONNECTOR (43650-A) WITH DOUBLE SEAL
- CABLE VERSION FEATURES ROUND POLYURETHANE JACKET WITH OVERMOLDED END AND DRY BREAK CONVERTOR TO PREVENT WICKING
- MOTOR HEAD IS SEALED AND WELDED TO IP67
- QUICK RELEASE MOTOR HEAD ALLOWS MANUAL VALVE OPERATION
- GEARBOX USES DOUBLE WALL CONSTRUCTION TO ADD STRENGTH AND ENSURE PERMANENT LUBRICATION
- ALL METAL GEARS FOR STRENGTH AND DURABILITY
- AUTOMATIC RESETTABLE FUSE (DISCONNECT POWER FOR 20 SECONDS TO RESET)
- AVAILABLE FOR NEGATIVE OR POSITIVE SWITCHED SPRAYER CONTROLS
- BEC STYLE MOTOR USES A SINGLE POLE, SINGLE THROW SWITCH; BE STYLE MOTOR USES A DOUBLE POLE, DOUBLE THROW SWITCH
- OUTLET USES TEEJET® 50-SERIES FLANGES
- 75-SERIES FLANGE INLETS CAN BE FITTED WITH ANY STANDARD FLANGE FITTING INCLUDING MALE AND FEMALE THREADS (NPT OR BSPT), HOSE BARBS, GAUGE PORTS, REDUCERS AND ADAPTERS.
- 316 STAINLESS STEM AND POLISHED BALL PROVIDE EXCELLENT FERTILIZER & CHEMICAL RESISTANCE
- TRUNNION BALL AND CARBON/TEFLON SEAL FOR LONGER LIFE
- EASIER TO SERVICE THAN BOLTED BALL VALVES
- DIRECT COUPLED YELLOW VISUAL INDICATOR TO VERIFY POSITION/OPERATION

ORDERING INFORMATION:

491BEC-C - 0.5-METER CABLE CONNECTION, POSITIVELY SWITCHED, SINGLE MANIFOLD VALVE
 493BEC-D - DIN CONNECTION, POSITIVELY SWITCHED, 3-BANK MANIFOLD
 SEE DATA SHEETS DS56604 & DS50515 FOR COMPLETE ORDERING INFORMATION
 NOTE: INLETS, OUTLETS, CLAMPS, HARDWARE, AND DIN CABLES TO BE ORDERED SEPARATELY.

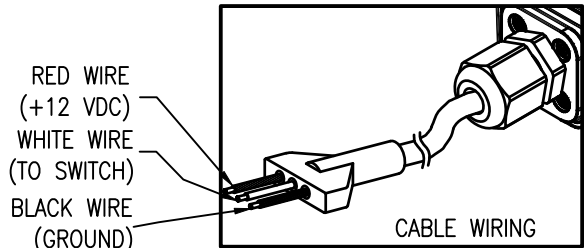
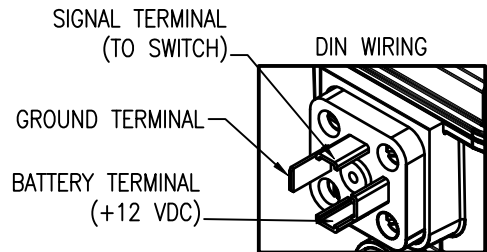
TEFLON® IS A TRADEMARK OF DUPONT COMPANY
 VITON® IS A TRADEMARK OF DUPONT DOW ELASTOMERS
 RYTON™ IS A TRADEMARK OF CHEVRON PHILLIPS CHEMICAL CO.



WIRING CHART FOR BE & BEC MOTORS

DIN TERMINAL	WIRE COLOR	BEC MOTOR	BE MOTOR*
1	RED	CONSTANT +12VDC	+12VDC TO OPEN
2	WHITE	SWITCHED +12VDC	NOT USED
3	-	NOT USED	NOT USED
FLAT	BLACK	GROUND	-12VDC TO OPEN

*NOTE: FOR BE MOTORS REVERSE POLARITY TO CLOSE. REQUIRES DPDT SWITCH.



DESCRIPTION:

490BEC
 DIRECTOVALVE®
 ELECTRIC SHUT-OFF
 TRUNNION VALVE MANIFOLD



Spraying Systems Co.®
 Spray Nozzles and Accessories
 P.O. Box 7900 - Wheaton, IL 60189-7900

Rev. No. 2

Ref.

DATA SHEET
 DS490BEC
 SHEET OF