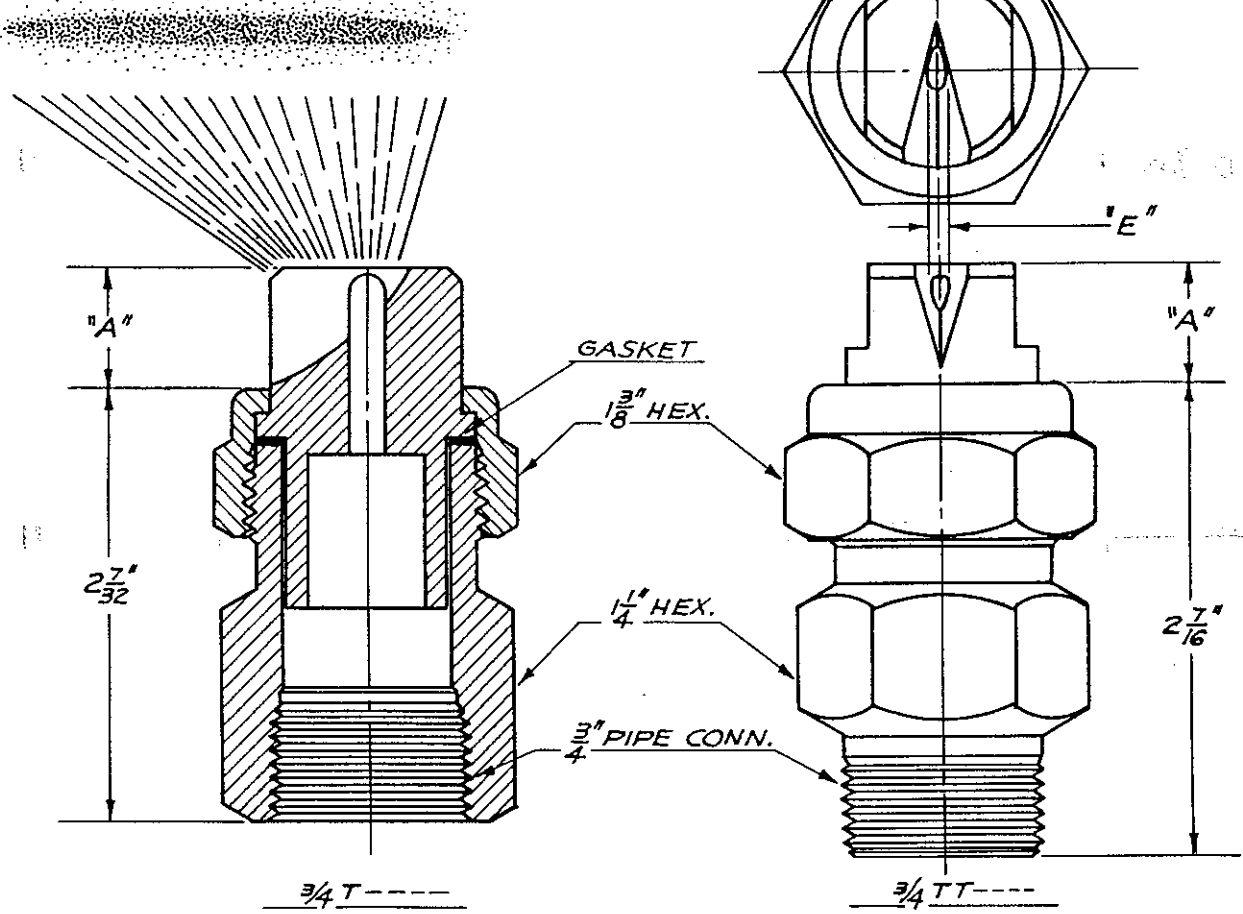


FLAT SPRAY PATTERN



NOZZLE NO.		"A"	Approx. Equiv. Orifice Dia.	"E" Approx	CAPACITY G.P.M. (Gallons Per Minute) AT p.s.i. (Lbs. per square inch)													
TYPE T FEMALE CONN.	TYPE TT MALE CONN.				7	10	15	20	30	40	60	80	100	150	200	300	400	
3/4 T OC 10	3/4 TT OC 10	5/8"	5/64"	.042	.42	.50	.61	.71	.87	1.0	1.2	1.4	1.6	1.9	2.3	2.8	3.7	
3/4 T OC 20	3/4 TT OC 20	5/8"	7/64"	.060	.84	1.0	1.2	1.4	1.7	2.0	2.4	2.8	3.1	3.9	4.5	5.5	6.3	
3/4 T OC 40	3/4 TT OC 40	5/8"	5/32"	.080	1.7	2.0	2.5	2.8	3.5	4.0	4.9	5.7	6.3	7.7	9.0	11.0	12.7	
3/4 T OC 80	3/4 TT OC 80	5/8"	7/32"	.122	3.4	4.0	5.0	5.6	7.0	8.0	9.8	11.4	12.6	15.4	18.0	22.0	25.4	
3/4 T OC 150	3/4 TT OC 150	5/8"	19/64"	.163	6.3	7.5	9.2	10.6	13.0	15.0	18.4	21.2	23.7	29.0	33.6	41.1	47.4	
3/4 T OC 300	3/4 TT OC 300	5/8"	27/64"	.225	12.5	15.0	18.4	21.2	26.0	30.0	36.7	42.5	47.5	58.2	67.1	82.3	95.0	

ABOVE TABULATION IS BASED ON WATER AT TEMPERATURE OF 70°F.

DESCRIPTION

TABULATION OF CAPACITIES FOR 3/4 TOC-- AND 3/4 TT OC-- UNIJET NOZZLES

**SPRAYING SYSTEMS CO.**  
Engineers and Manufacturers

North Avenue and Schmale Road, Wheaton, Illinois 60187

DATE

2-26-87

DWG. NO.

4787-1