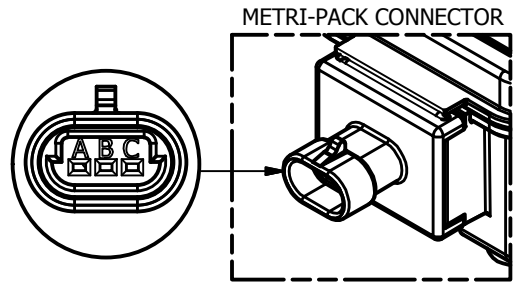
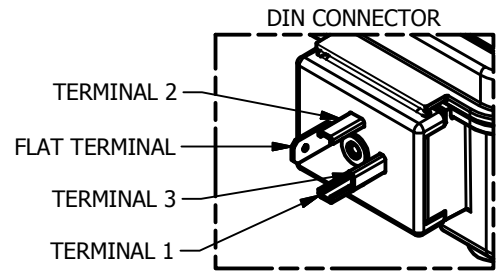
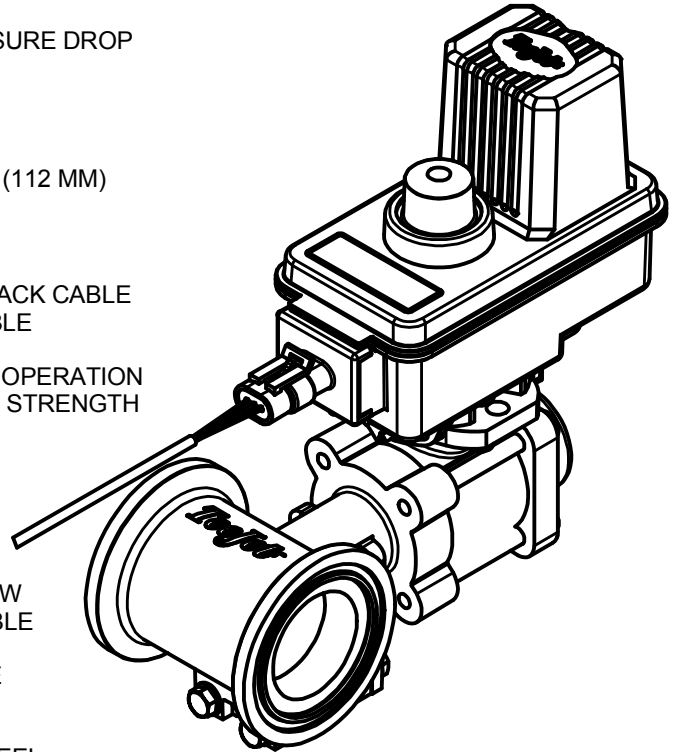


**SPECIFICATIONS:**

- MAXIMUM PRESSURE RATING: 200 PSI (14 BAR)
- FLOW RATE: 32 GPM (121 L/MIN) @ 5 PSI (.34 BAR) PRESSURE DROP
- RESPONSE TIME: 0.7 SEC. FROM CLOSED TO OPEN
- CURRENT DRAW: 1.1 AMPS NOMINAL @ 13.8 VDC
- MATERIALS: POLYPROPYLENE, NYLON, STAINLESS STEEL, TEFLON®, AND VITON®
- HEIGHT: 9.1" (231 MM); DEPTH: 8.7" (221 MM); WIDTH: 4.4" (112 MM)

**FEATURES INCLUDE:**

- BUILT-IN DIN CONNECTOR (43650-A) WITH DOUBLE SEAL
- CABLE VERSION STANDARD WITH REMOVABLE METRI-PACK CABLE (SEE DS98546); MOTOR CAN BE ORDERED WITHOUT CABLE
- MOTOR HEAD IS SEALED AND WELDED TO IP67
- QUICK RELEASE MOTOR HEAD ALLOWS MANUAL VALVE OPERATION
- GEARBOX USES DOUBLE WALL CONSTRUCTION TO ADD STRENGTH AND ENSURE PERMANENT LUBRICATION
- ALL METAL GEARS FOR STRENGTH AND DURABILITY
- AUTOMATIC RESETTABLE FUSE (DISCONNECT POWER FOR 20 SECONDS TO RESET)
- AVAILABLE FOR NEGATIVE OR POSITIVE SWITCHED SPRAYER CONTROLS
- BEC STYLE MOTOR USES A SINGLE POLE, SINGLE THROW SWITCH; BE STYLE MOTOR USES A DOUBLE POLE, DOUBLE THROW SWITCH
- OUTLET CONNECTIONS AVAILABLE IN 3/4" OR 1" FEMALE THREADS (NPT OR BSPT), 50-SERIES FLANGE OR QUICK CONNECT
- STAINLESS STEEL STEM AND CHOICE OF STAINLESS STEEL OR POLYPROPYLENE BALL PROVIDE EXCELLENT CHEMICAL RESISTANCE
- DIRECT COUPLED YELLOW VISUAL INDICATOR TO VERIFY POSITION/OPERATION
- 75-SERIES FLANGE INLETS CAN BE FITTED WITH ANY STANDARD FLANGE FITTING INCLUDING MALE AND FEMALE THREADS (NPT OR BSPT), HOSE BARBS, GAUGE PORTS, BLANKS, REDUCERS AND ADAPTERS
- INTEGRAL ALUMINUM MOUNTING RAIL ON BOTTOM OF EACH VALVE TEE-BODY ALLOWS FOR EASY INSTALLATION; 1.75" (44 MM) LONG RAIL ACCEPTS 5/16" OR M8 HEX HEAD BOLTS



**ORDERING INFORMATION:**

451BEC-23S-C - 0.5-METER METRI-PACK CABLE CONNECTION, 3/4" NPT OUTLET, POSITIVELY SWITCHED, BEC MOTOR, SINGLE VALVE MANIFOLD  
 453BEC-2F-D - DIN CONNECTION, FLANGE OUTLET, POSITIVELY SWITCHED, BE MOTOR, THREE-BANK MANIFOLD  
 SEE DS56600 & DS50515 FOR COMPLETE ORDERING INFORMATION

NOTE: METRI-PACK & DIN CABLES ARE AVAILABLE AND MAY BE ORDERED SEPARATELY (SEE DS98546 & DS38082).

WIRING CHART FOR BEC & BE MOTORS				
DIN TERMINAL	METRI-PACK	WIRE COLOR	BEC MOTOR	BE MOTOR*
1	A	RED	CONSTANT +12VDC	+12VDC TO OPEN
2	B	WHITE	SWITCHED +12VDC	NOT USED
3	-	-	NOT USED	NOT USED
FLAT	C	BLACK	GROUND	-12VDC TO OPEN

TEFLON® IS A TRADEMARK OF DUPONT COMPANY  
 VITON® IS A TRADEMARK OF DUPONT DOW ELASTOMERS

\*NOTE: FOR BE MOTORS REVERSE POLARITY TO CLOSE. REQUIRES DPDT SWITCH.

**DESCRIPTION:**

450BE AND 450BEC  
 DIRECTOVALVE®  
 ELECTRIC SHUT-OFF  
 BALL VALVE MANIFOLD



**Spraying Systems Co.®**  
 Spray Nozzles and Accessories  
 P.O. Box 7900 - Wheaton, IL 60189-7900

REVISION NO. 2	DATA SHEET DS450BEC
REFERENCE: 11/11/2015	SHEET: DWG SIZE: A