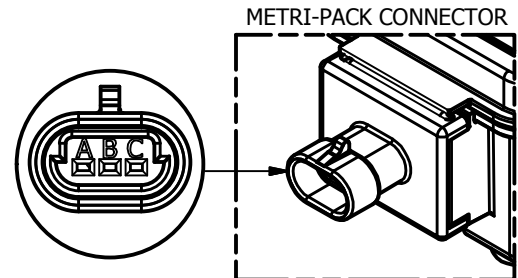
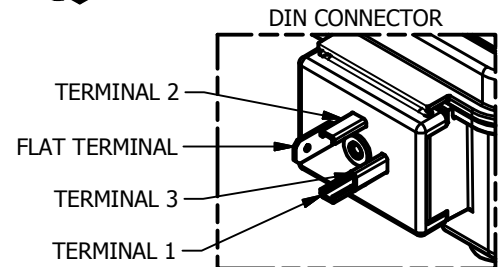
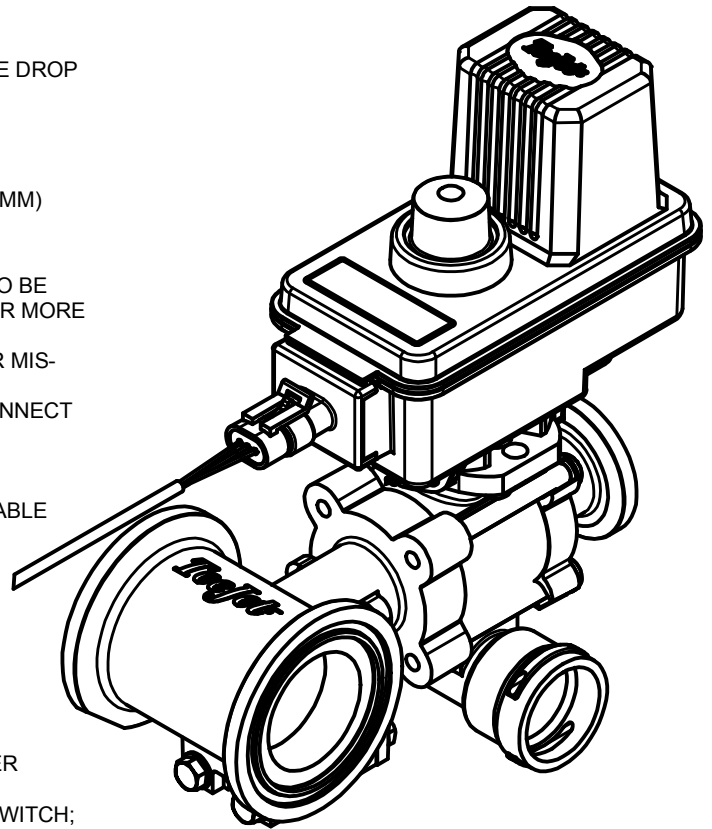


SPECIFICATIONS:

- MAXIMUM PRESSURE RATING: 200 PSI (14 BAR)
- FLOW RATE: 32 GPM (121 L/MIN) @ 5 PSI (.34 BAR) PRESSURE DROP
- RESPONSE TIME: 0.7 SEC. FROM CLOSED TO OPEN
- CURRENT DRAW: 1.1 AMPS NOMINAL @ 13.8 VDC
- MATERIALS: POLYPROPYLENE, NYLON, STAINLESS STEEL, TEFLON®, AND VITON®
- HEIGHT: 9.3" (236 MM); DEPTH: 8.7" (221 MM); WIDTH: 3.2" (81 MM)

FEATURES INCLUDE:

- UNIQUE FLOW BACK FEATURE ALLOWS BOOM PRESSURE TO BE RELIEVED WHEN VALVE IS IN "OFF" POSITION, ALLOWING FOR MORE RAPID BOOM SHUT-OFF
- FASTER BOOM SHUT-OFF REDUCES CHANCES OF OVER- OR MIS-APPLICATION
- FLOW BACK PORT CAN BE FITTED WITH VARIOUS QUICK CONNECT FITTINGS ALLOWING LIQUID FLOW TO BE DIRECTED BACK UNRESTRICTED TO TOP OF TANK
- BULTI-IN DIN CONNECTOR (43650-A) WITH DOUBLE SEAL
- CABLE VERSION STANDARD W/ REMOVABLE METRI-PACK CABLE (SEE DS98546); MOTOR CAN BE ORDERED W/O CABLE
- MOTOR HEAD IS SEALED AND WELDED TO IP67
- QUICK RELEASE MOTOR HEAD ALLOWS MANUAL VALVE OPERATION
- GEARBOX USES DOUBLE WALL CONSTRUCTION TO ADD STRENGTH AND ENSURE PERMANENT LUBRICATION
- ALL METAL GEARS FOR STRENGTH AND DURABILITY
- AUTOMATIC RESETTABLE FUSE (DISCONNECT POWER FOR 20 SECONDS TO RESET)
- AVAILABLE FOR NEGATIVE OR POSITIVE SWITCHED SPRAYER CONTROLS
- BEC STYLE MOTOR USES A SINGLE POLE, SINGLE THROW SWITCH; BE STYLE MOTOR USES A DOUBLE POLE, DOUBLE THROW SWITCH
- OUTLET CONNECTIONS AVAILABLE IN 3/4" OR 1" FEMALE THREADS (NPT OR BSPT), 50-SERIES FLANGE OR QUICK CONNECT
- STAINLESS STEEL STEM AND CHOICE OF STAINLESS STEEL OR POLYPROPYLENE BALL PROVIDE EXCELLENT CHEMICAL RESISTANCE
- DIRECT COUPLED YELLOW VISUAL INDICATOR TO VERIFY POSITION/OPERATION
- 75-SERIES FLANGE INLETS CAN BE FITTED WITH ANY STANDARD FLANGE FITTING INCLUDING MALE AND FEMALE THREADS (NPT OR BSPT), HOSE BARBS, GAUGE PORTS, BLANKS, REDUCERS AND ADAPTERS
- INTEGRAL ALUMINUM MOUNTING RAIL ON BOTTOM OF EACH VALVE TEE-BODY ALLOWS FOR EASY INSTALLATION; 1.75" (44 MM) LONG RAIL ACCEPTS 5/16" OR M8 HEX HEAD BOLTS



ORDERING INFORMATION:

451BEC-3FB3-C - 0.5-METER METRI-PACK CABLE CONNECTION, 3/4" NPT OUTLET, POSITIVELY SWITCHED, BEC MOTOR, SINGLE VALVE MANIFOLD
 453BEC-3FBFS-D - DIN CONNECTION, STAINLESS STEEL BALL, FLANGED OUTLET, POSITIVELY SWITCHED, BE MOTOR, THREE-BANK MANIFOLD
 SEE DS56600 & DS50515 FOR COMPLETE ORDERING INFORMATION

NOTE: METRI-PACK & DIN CABLES ARE AVAILABLE AND MAY BE ORDERED SEPARATELY (SEE DS98546 & DS38082).

| WIRING CHART FOR BEC & BE MOTORS | | | | |
|----------------------------------|------------|------------|-----------------|----------------|
| DIN TERMINAL | METRI-PACK | WIRE COLOR | BEC MOTOR | BE MOTOR* |
| 1 | A | RED | CONSTANT +12VDC | +12VDC TO OPEN |
| 2 | B | WHITE | SWITCHED +12VDC | NOT USED |
| 3 | - | - | NOT USED | NOT USED |
| FLAT | C | BLACK | GROUND | -12VDC TO OPEN |

TEFLON® IS A TRADEMARK OF DUPONT COMPANY
 VITON® IS A TRADEMARK OF DUPONT DOW ELASTOMERS

*NOTE: FOR BE MOTORS REVERSE POLARITY TO CLOSE. REQUIRES DPDT SWITCH.

DESCRIPTION:

450BE-3FB AND 450BEC-3FB
 FLOW BACK DIRECTOVALVE®
 ELECTRIC SHUT-OFF BALL VALVE
 MANIFOLD

PRODUCT COVERED BY US
 PATENT #6189807



Spraying Systems Co.®
 Spray Nozzles and Accessories
 P.O. Box 7900 - Wheaton, IL 60189-7900

| | | | |
|--------------|------------|-------------|---|
| REVISION NO. | 2 | DATA SHEET | |
| REFERENCE: | 11/19/2015 | DS450BEC-FB | |
| SHEET: | | DWG SIZE: | A |