

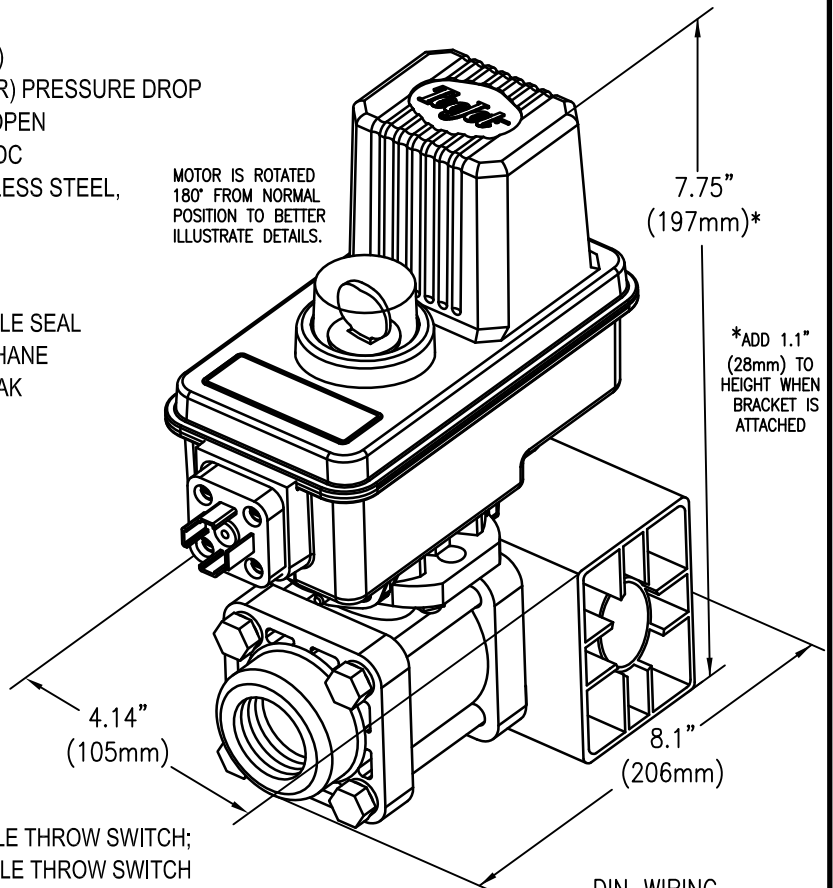
SPECIFICATIONS:

- MAXIMUM PRESSURE RATING: 300 PSI (20 BAR)
- FLOW RATE: 26 GPM (98 L/MIN) @ 5 PSI (.34 BAR) PRESSURE DROP
- RESPONSE TIME: 0.7 SEC. FROM CLOSED TO OPEN
- CURRENT DRAW: 1.1 AMPS NOMINAL @ 13.8 VDC
- MATERIALS: POLYPROPYLENE, NYLON, STAINLESS STEEL, TEFLON®, AND VITON®

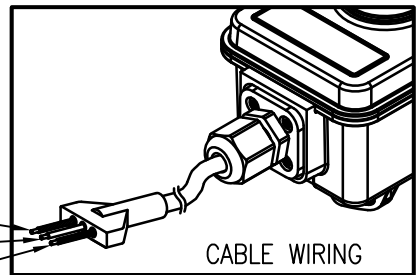
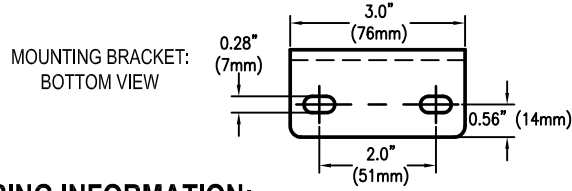
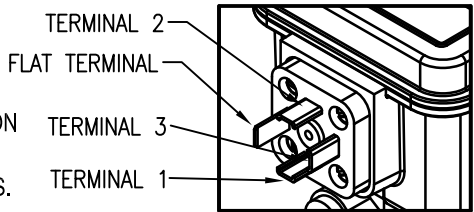
FEATURES INCLUDE:

- BUILT-IN DIN CONNECTOR (43650-A) WITH DOUBLE SEAL
- CABLE VERSION FEATURES ROUND POLYURETHANE JACKET WITH OVERMOLDED END AND DRY BREAK CONNECTOR TO PREVENT WICKING
- MOTOR HEAD IS SEALED AND WELDED TO IP67
- QUICK RELEASE MOTOR HEAD ALLOWS MANUAL VALVE OPERATION
- GEARBOX USES DOUBLE WALL CONSTRUCTION TO ADD STRENGTH AND ENSURE PERMANENT LUBRICATION
- ALL METAL GEARS FOR STRENGTH AND DURABILITY
- AUTOMATIC RESETTABLE FUSE (DISCONNECT POWER FOR 20 SECONDS TO RESET)
- AVAILABLE FOR NEGATIVE OR POSITIVE SWITCHED SPRAYER CONTROLS
- BEC STYLE MOTOR USES A SINGLE POLE, SINGLE THROW SWITCH; BE STYLE MOTOR USES A DOUBLE POLE, DOUBLE THROW SWITCH
- OUTLET CONNECTIONS AVAILABLE IN 3/4" OR 1" FEMALE THREADS (NPT OR BSPT), 50-SERIES FLANGE OR QUICK CONNECT
- STAINLESS STEEL STEM AND CHOICE OF STAINLESS STEEL OR POLYPROPYLENE BALL PROVIDE EXCELLENT CHEMICAL RESISTANCE
- DIRECT COUPLED YELLOW VISUAL INDICATOR TO VERIFY POSITION/OPERATION
- AVAILABLE INLET CONNECTIONS INCLUDE 1" FEMALE THREADS (NPT OR BSPT), 1" & 1-1/4" HOSE BARBS, 1/4" GAUGE PORTS (NPT OR BSPT) AND BLANKS.
- STEEL MOUNTING BRACKETS ON EACH END ALLOW FOR EASY INSTALLATION.

MOTOR IS ROTATED 180° FROM NORMAL POSITION TO BETTER ILLUSTRATE DETAILS.



DIN WIRING



ORDERING INFORMATION:

440BEC-4-C - 0.5-METER CABLE CONNECTION, 1" NPT OUTLET, POSITIVELY SWITCHED, SINGLE MANIFOLD VALVE, BEC MOTOR
 443BE-F-D - DIN CONNECTION, FLANGE OUTLET, POSITIVELY SWITCHED, 3-BANK MANIFOLD, BE MOTOR
 SEE DATA SHEETS DS56606 & DS50515 FOR COMPLETE ORDERING INFORMATION

NOTE: DIN CABLES ARE AVAILABLE AND MAY BE ORDERED SEPARATELY.
 TEFLON® IS A TRADEMARK OF DUPONT COMPANY
 VITON® IS A TRADEMARK OF DUPONT DOW ELASTOMERS

DIN TERMINAL	WIRE COLOR	BEC MOTOR	BE MOTOR*
1	RED	CONSTANT +12VDC	+12VDC TO OPEN
2	WHITE	SWITCHED +12VDC	NOT USED
3	-	NOT USED	NOT USED
FLAT	BLACK	GROUND	-12VDC TO OPEN

*NOTE: FOR BE MOTORS REVERSE POLARITY TO CLOSE. REQUIRES DPDT SWITCH.

DESCRIPTION:

**440BE AND 440BEC
 DIRECTOVALVE®
 ELECTRIC SHUT-OFF
 BALL VALVE MANIFOLD**



Spraying Systems Co.®
 Spray Nozzles and Accessories
 P.O. Box 7900 - Wheaton, Il. 60189-7900

Rev. No. 1
 Ref.

DATA SHEET
DS440BEC
 SHEET OF