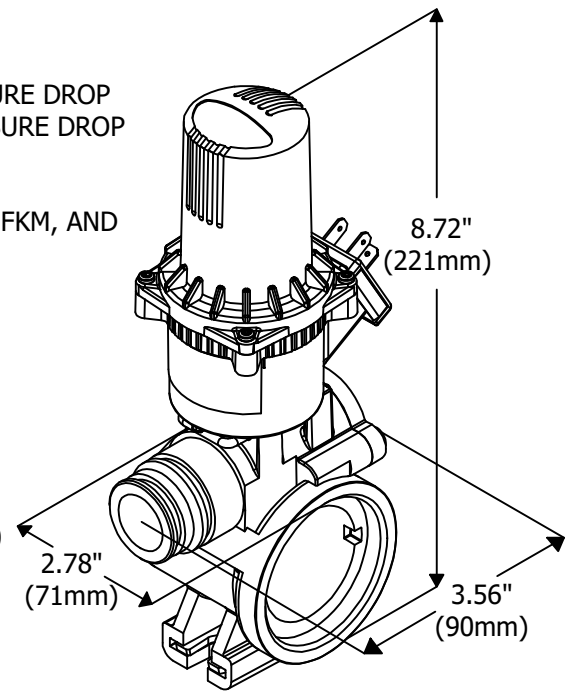


SPECIFICATIONS:

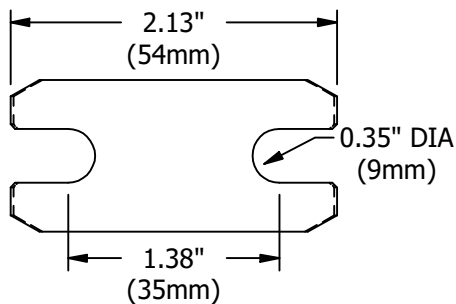
- MAXIMUM PRESSURE RATING: 215 PSI (15 BAR)
- FLOW RATE: 11.7 GPM (44 I/min) @ 5 PSI (.34 BAR) PRESSURE DROP
- FLOW RATE: 16.5 GPM (63 I/min) @ 10 PSI (.69 BAR) PRESSURE DROP
- CURRENT DRAW: LESS THAN 0.5 AMP AT 12 VDC
- RESPONSE TIME: 0.6 SECONDS
- WETTED MATERIALS: POLYPROPYLENE, STAINLESS STEEL, FKM, AND TEFLON®

FEATURES INCLUDE:

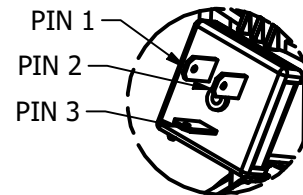
- BUILT IN MINI-DIN CONNECTOR
- "EC" STYLE MOTOR COMPATIBLE WITH AUTOMATIC BOOM SECTION CONTROLS
- MOTOR HEAD IS SEALED TO IP69K
- QUICK RELEASE MOTOR HEAD ALLOWS FOR FIELD INSPECTION AND MANUAL VALVE ACTUATION
- ALL METAL GEARS FOR STRENGTH AND DURABILITY
- RESETTABLE INTERNAL FUSE (DISCONNECT POWER FOR 20 SECONDS TO RESET)
- "EC" STYLE MOTOR USES A SINGLE POLE, SINGLE THROW SWITCH
- "E" STYLE MOTOR USES A DOUBLE POLE, DOUBLE THROW SWITCH
- OUTLET CONNECTIONS AVAILABLE IN 90° OR STRAIGHT QUICK CONNECT HOSE BARBS, REFER TO PL45529
- STAINLESS STEEL STEM AND BALL PROVIDE EXCELLENT DURABILITY AND CHEMICAL RESISTANCE



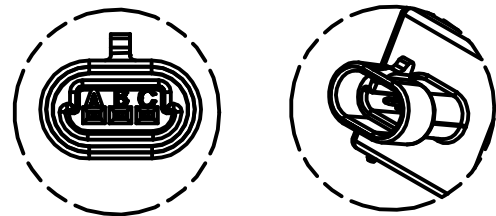
MOUNTING BRACKET SPECS:



MINI-DIN CONNECTOR



METRI-PACK CONNECTOR



ORDERING INFORMATION:

433EC-2-D: 3 VALVE MANIFOLD, 2-WAY VALVES, MINI-DIN CABLE CONNECTION, SINGLE POLE SINGLE THROW
 434E-2-D: 4 VALVE MANIFOLD, 2-WAY VALVES, MINI-DIN CABLE CONNECTION, DOUBLE POLE DOUBLE THROW
 58480 _ _ _ : MINI-DIN CABLE (SEE DS58480)

NOTE: FOR COMPLETE ORDERING INFORMATION REFER TO BULLETIN LIT J-126. FOR INLET CONNECTIONS REFER TO PL58456. FOR OUTLET CONNECTIONS REFER TO PL45529. FOR A PARTS LIST 8c A COMPLETE LIST OF REPLACEMENT KITS REFER TO PL430EC-2.

WIRING CHART

PIN TERMINAL	WIRING "EC"	WIRING "E"
1	(+) POS.	(+) POS.
2	(-) NEG.	(-) NEG.
3	SWITCHING	GROUND

DESCRIPTION:

**430EC AND 430E
 2-WAY DIRECTOVALVE®
 ELECTRIC SHUT-OFF
 BALL VALVE MANIFOLD**



REVISION NO.	2	Data Sheet No.	
REFERENCE:	4/15/26	DS430EC-2	
SHEET:	1 OF 1	DWG SIZE:	A