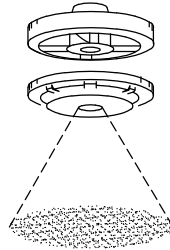


DISC TYPE TeeJet®

POLYMER FULL CONE SPRAY TIPS

WITH **VistiFlo** COLOR CODING



FEATURES:

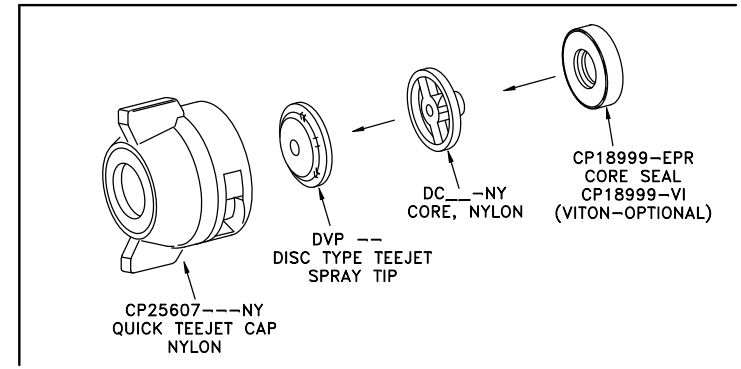
- GOOD TO EXCELLENT WEAR LIFE
- PRODUCE SMALLER DROPLETS FOR THOROUGH COVERAGE WITH CONTACT PESTICIDES AND FOLIAR APPLICATIONS
- MAXIMUM SPRAY PRESSURE 300 PSI
- ALSO AVAILABLE IN STANDARD AND HARDENED STAINLESS STEEL, AND CERAMIC FOR INCREASED WEAR LIFE
- ORIFICE DISCS AND CORES ARE INTERCHANGEABLE

TYPICAL APPLICATIONS:

- AIR BLAST SPRAYING IN ORCHARDS AND VINEYARDS
- POSTEMERGENCE CONTACT APPLICATIONS

Disc		Core		Orifice Dia.	Capacity GPM @ PSI											
Color	No.	Color	No.		10 psi	15 psi	20 psi	25 psi	30 psi	40 psi	60 psi	80 psi	100 psi	150 psi	200 psi	300 psi
Orange	2	White	31	.041"	.12	.14	.16	.18	.19	.22	.26	.30	.33	.40	.45	.55
Green	3	White	31	.047"	.13	.15	.18	.20	.21	.24	.29	.33	.37	.44	.50	.60
Orange	2	Green	33	.041"	.13	.15	.17	.19	.21	.24	.29	.33	.37	.45	.52	.63
Green	3	Green	33	.047"	.15	.18	.21	.23	.25	.29	.36	.41	.45	.55	.63	.76
Yellow	4	Green	33	.063"	.20	.24	.28	.31	.34	.39	.47	.54	.60	.73	.83	1.02
Orange	2	Brown	35	.041"	.14	.16	.18	.20	.24	.25	.30	.34	.37	.45	.51	.60
Green	3	Brown	35	.047"	.16	.18	.22	.24	.26	.30	.36	.41	.45	.55	.62	.74
Yellow	4	Brown	35	.063"	.27	.32	.37	.41	.44	.50	.60	.70	.79	.93	1.10	1.30
Blue	5	Brown	35	.078"	.34	.42	.48	.53	.58	.66	.80	.92	1.00	1.20	1.40	1.70
Orange	2	Black	56	.041"	—	—	—	—	.21	.25	.30	.35	.39	.47	.55	.67
Green	3	Black	56	.047"	—	—	—	.27	.29	.34	.41	.48	.53	.65	.75	.92
Yellow	4	Black	56	.063"	—	.34	.39	.44	.48	.55	.67	.78	.87	1.06	1.23	1.51
Blue	5	Black	56	.078"	.38	.46	.54	.60	.66	.76	.93	1.08	1.20	1.47	1.69	2.08
Red	6	Black	56	.094"	.58	.71	.81	.92	1.00	1.16	1.35	1.64	1.83	2.25	2.59	3.18
Brown	7	Black	56	.109"	.76	.93	1.07	1.20	1.32	1.52	1.86	2.15	2.40	2.94	3.40	4.16
Gray	8	Black	56	.125"	1.35	1.65	1.91	2.13	2.34	2.70	3.31	3.82	4.26	5.22	6.03	7.39

TABULATION BASED ON SPRAYING WATER AT 70° F.



DESCRIPTION:
CAPACITY TABULATION OF
FULL CONE POLYMER
DISC TYPE TEEJET •
TIPS



Spraying Systems Co.®

Spray Nozzles and Accessories
P.O. Box 7900 - Wheaton, IL 60187-7901

Rev. No.

Data Sheet No.

Ref.

39410

SHEET OF