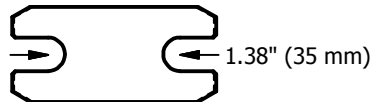
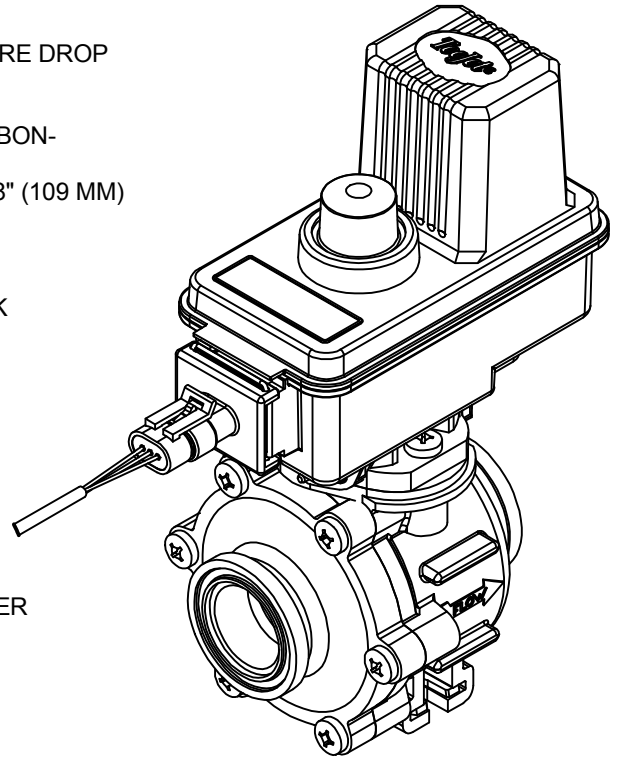


SPECIFICATIONS:

- MAXIMUM PRESSURE RATING: 150 PSI (10 BAR)
- FLOW RATE: 100 GPM (379 L/MIN) @ 5 PSI (.34 BAR) PRESSURE DROP
- RESPONSE TIME: 0.6 SEC. FROM CLOSED TO OPEN
- CURRENT DRAW: 2.2 AMPS NOMINAL @ 13.8 VDC
- MATERIALS: POLYPROPYLENE, 316 STAINLESS STEEL, CARBON-FILLED TEFLON®, RYTON® AND VITON®.
- HEIGHT: 9.25" (235 MM); LENGTH: 6.50" (165 MM); WIDTH: 4.28" (109 MM)

FEATURES INCLUDE:

- BUILT-IN DIN CONNECTOR (43650-A) WITH DOUBLE SEAL
- CABLE VERSION STANDARD WITH REMOVABLE METRI-PACK CABLE (SEE DS98546); MOTOR CAN BE ORDERED WITHOUT CABLE
- MOTOR HEAD IS SEALED AND WELDED TO IP67
- QUICK RELEASE MOTOR HEAD ALLOWS MANUAL VALVE OPERATION
- GEARBOX USES DOUBLE WALL CONSTRUCTION TO ADD STRENGTH AND ENSURE PERMANENT LUBRICATION
- ALL METAL GEARS FOR STRENGTH AND DURABILITY
- AUTOMATIC RESETTABLE FUSE (DISCONNECT POWER FOR 20 SECONDS TO RESET)
- AVAILABLE FOR NEGATIVE OR POSITIVE SWITCHED SPRAYER CONTROLS
- BEC STYLE MOTOR USES A SINGLE POLE, SINGLE THROW SWITCH; BE STYLE MOTOR USES A DOUBLE POLE, DOUBLE THROW SWITCH
- INLET AND OUTLET CONNECTIONS USE 50-SERIES FLANGE
- 316 STAINLESS STEEL STEM AND POLISHED BALL PROVIDE EXCELLENT FERTILIZER & CHEMICAL RESISTANCE
- DIRECT COUPLED YELLOW VISUAL INDICATOR TO VERIFY POSITION/OPERATION
- TRUNNION BALL AND CARBON/TEFLON SEAL FOR LONGER LIFE
- STAINLESS STEEL REINFORCED MOUNTING FOOT
- EASIER TO SERVICE THAN BOLTED BALL VALVES

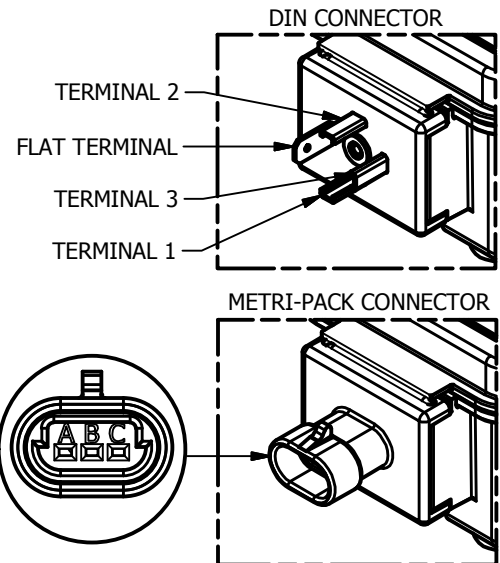


MOUNTING FOOT PATTERN FOR 5/18" (8 mm) BOLTS

ORDERING INFORMATION:

356BEC-C - 0.5-METER METRI-PACK CABLE CONNECTION, POSITIVELY SWITCHED
 346BEC-D - DIN CONNECTION, POSITIVELY SWITCHED
 SEE DS56604 & DS50515 FOR COMPLETE ORDERING INFO

NOTE: INLETS, OUTLETS, CLAMPS HARDWARE, METRI-PACK & DIN CABLES ARE AVAILABLE AND MAY BE ORDERED SEPARATELY (SEE DS98546 & DS38082).



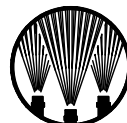
WIRING CHART FOR BEC & BE MOTORS				
DIN TERMINAL	METRI-PACK	WIRE COLOR	BEC MOTOR	BE MOTOR*
1	A	RED	CONSTANT +12VDC	+12VDC TO OPEN
2	B	WHITE	SWITCHED +12VDC	NOT USED
3	-	-	NOT USED	NOT USED
FLAT	C	BLACK	GROUND	-12VDC TO OPEN

TEFLON® IS A TRADEMARK OF DUPONT COMPANY
 VITON® IS A TRADEMARK OF DUPONT DOW ELASTOMERS
 RYTON® IS A TRADEMARK OF CHEVRON PHILLIPS CHEMICAL CO.

*NOTE: FOR BE MOTORS REVERSE POLARITY TO CLOSE. REQUIRES DPDT SWITCH.

DESCRIPTION:

356BE & 356BEC
 DIRECTOVALVE®
 ELECTRIC SHUT-OFF
 TRUNNION VALVES



Spraying Systems Co.®
 Spray Nozzles and Accessories
 P.O. Box 7900 - Wheaton, IL 60189-7900

REVISION NO.	8	DATA SHEET	
REFERENCE:	5/29/2015	DS356BEC	
SHEET:		DWG SIZE:	A