

SPECIFICATIONS:

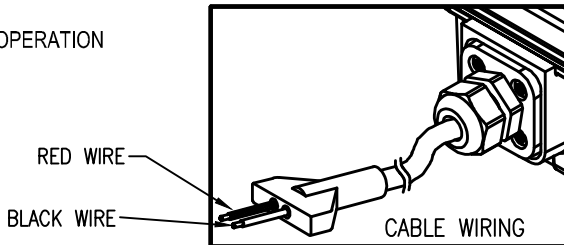
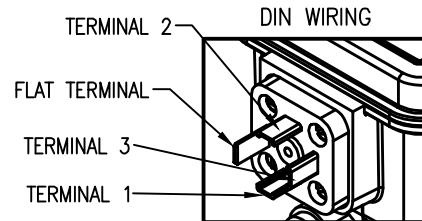
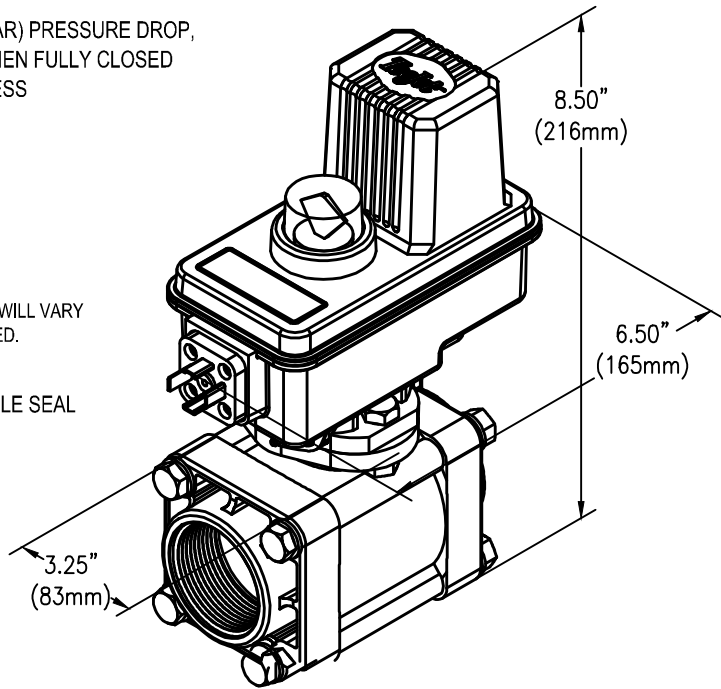
- MAXIMUM PRESSURE RATING: 150 PSI (10 BAR)
- FLOW RATE: 85 GPM (322 L/MIN) @ 5 PSI (0.34 BAR) PRESSURE DROP, 3 GPM (11 L/MIN) BYPASS @ 10 PSI (0.69 BAR) WHEN FULLY CLOSED
- MATERIALS: POLYPROPYLENE, NYLON, STAINLESS STEEL, TEFLON®, AND VITON®

MOTOR SPEED (RPM)	CURRENT DRAW (AMPS)*	R CYCLE TIME (SEC)
01	0.12	18
03	0.20	6
06	0.50	3

* CURRENT DRAW IS A NOMINAL RATING @13.8VDC AND WILL VARY DEPENDENT UPON VALVE USAGE AND CHEMICALS USED.

FEATURES INCLUDE:

- BUILT-IN DIN CONNECTOR (43650-A) WITH DOUBLE SEAL
- CABLE VERSION FEATURES ROUND POLYURETHANE JACKET AND OVERMOLDED END TO PREVENT WICKING
- MOTOR HEAD IS SEALED AND WELDED TO IP67
- QUICK RELEASE MOTOR HEAD ALLOWS MANUAL VALVE OPERATION
- GEARBOX USES DOUBLE WALL CONSTRUCTION TO ADD STRENGTH AND ENSURE PERMANENT LUBRICATION
- ALL METAL GEARS FOR STRENGTH AND DURABILITY
- AUTOMATIC RESETTABLE FUSE (DISCONNECT POWER FOR 20 SECONDS TO RESET)
- TWO-WIRE CABLE OR DIN CONNECTION
- USES A DOUBLE POLE, DOUBLE THROW (DPDT) SWITCH
- INLET AND OUTLET CONNECTIONS AVAILABLE IN 1-1/4" OR 1-1/2" FEMALE THREADS (NPT OR BSPT) OR 50-SERIES FLANGE
- STAINLESS STEEL STEM AND POLYPROPYLENE BUTTERFLY PROVIDE EXCELLENT CHEMICAL RESISTANCE
- DIRECT COUPLED VISUAL INDICATOR TO VERIFY POSITION/OPERATION
- AVAILABLE IN 2-WAY CONFIGURATION ONLY



ORDERING INFORMATION:

346BRB-2F-01C - 0.5-METER CABLE CONNECTION, FLANGE OUTLETS, 1-RPM MOTOR
 346BRB-25-03D - DIN CONNECTION, 1-1/4" NPT OUTLETS, 3-RPM MOTOR
 SEE DATA SHEETS 56602 & 50515 FOR COMPLETE ORDERING INFORMATION


NOTE: DIN CABLES ARE AVAILABLE AND MAY BE ORDERED SEPARATELY.

TEFLON® IS A TRADEMARK OF DUPONT COMPANY
 VITON® IS A TRADEMARK OF DUPONT DOW ELASTOMERS

DIN TERMINAL	WIRE COLOR	CONNECTION*
1	RED	+12VDC TO OPEN
2	-	NOT USED
3	-	NOT USED
FLAT	BLACK	-12VDC TO OPEN

*NOTE: REVERSE POLARITY TO CLOSE. REQUIRES DPDT SWITCH.

DESCRIPTION:
**346BRB
 DIRECTOVALVE®
 ELECTRIC BUTTERFLY
 REGULATING VALVE**



Spraying Systems Co.®
 Spray Nozzles and Accessories
 P.O. Box 7900 - Wheaton, Il. 60187-7901

Rev. No.	DATA SHEET
Ref.	346BRB
	SHEET OF