

SPECIFICATIONS:

- MAXIMUM PRESSURE RATING: 150 PSI (10 BAR)
- FLOW RATE: 100 GPM (379 L/MIN) @ 5 PSI (.34 BAR) PRESSURE DROP FOR 2-WAY VALVE; 64 GPM (242 L/MIN) @ 5 PSI (.34 BAR) PRESSURE DROP FOR 3-WAY VALVE
- MATERIALS: POLYPROPYLENE, NYLON, STAINLESS STEEL, TEFLON®, AND VITON®
- HEIGHT: 8.50" (216 MM); LENGTH: 6.50" (165 MM)

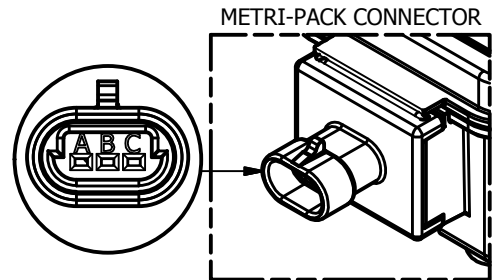
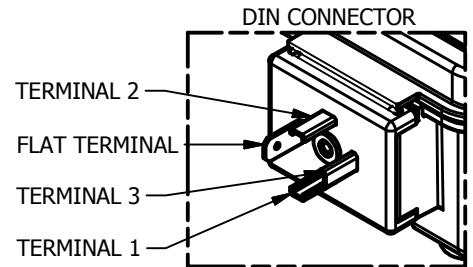
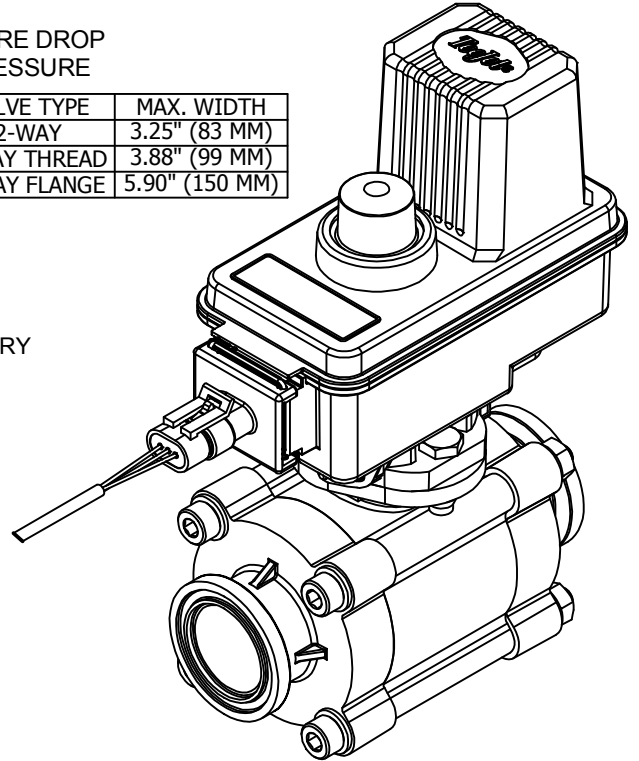
VALVE TYPE	MAX. WIDTH
2-WAY	3.25" (83 MM)
3-WAY THREAD	3.88" (99 MM)
3-WAY FLANGE	5.90" (150 MM)

MOTOR SPEED	CURRENT DRAW*	R, RL CYCLE TIME
01 RPM	0.10 AMPS	18 SEC
03 RPM	0.20 AMPS	6 SEC
06 RPM	0.50 AMPS	3 SEC

*CURRENT DRAW IS A NOMINAL RATING @13.8VDC AND WILL VARY DEPENDENT UPON VALVE USAGE AND CHEMICALS USED.

FEATURES INCLUDE:

- BUILT-IN DIN CONNECTOR (43650-A) WITH DOUBLE SEAL
- CABLE VERSION STANDARD WITH REMOVABLE 2-WIRE METRI-PACK CABLE (SEE DS98546); MOTOR CAN BE ORDERED WITHOUT CABLE
- MOTOR HEAD IS SEALED AND WELDED TO IP67
- QUICK RELEASE MOTOR HEAD ALLOWS MANUAL VALVE OPERATION
- GEARBOX USES DOUBLE WALL CONSTRUCTION TO ADD STRENGTH AND ENSURE PERMANENT LUBRICATION
- ALL METAL GEARS FOR STRENGTH AND DURABILITY
- AUTOMATIC RESETTABLE FUSE (DISCONNECT POWER FOR 20 SECONDS TO RESET)
- USES A DOUBLE POLE, DOUBLE THROW (DPDT) SWITCH
- INLET AND OUTLET CONNECTIONS AVAILABLE IN 1-1/4" OR 1-1/2" FEMALE THREADS (NPT OR BSPT), 50-SERIES FLANGE OR 75-SERIES FLANGE
- STAINLESS STEEL STEM AND CHOICE OF STAINLESS STEEL OR POLYPROPYLENE BALL PROVIDE EXCELLENT CHEMICAL RESISTANCE (3-WAY BALL ONLY AVAILABLE IN POLY)
- DIRECT COUPLED VISUAL INDICATOR TO VERIFY POSITION/OPERATION
- AVAILABLE IN 2-WAY OR 3-WAY CONFIGURATION
- ON 3-WAY BR VALVES INLET IS SIDE PORT, OUTLET IN "OPEN" POSITION IS LEFT-HAND PORT, OUTLET IN "CLOSED" POSITION IS RIGHT-HAND PORT (WHEN VIEWED WITH INLET FACING OPERATOR)



ORDERING INFORMATION:

346BR-25-01C - 0.5-METER METRI-PACK CABLE CONNECTION, 1-RPM (18-SEC), 1-1/4" NPT OUTLET, 2-WAY VALVE
 346BR-3F75-03D - DIN CONNECTION, 3-RPM (6-SEC), 75-SERIES FLANGE OUTLET, 3-WAY VALVE
 SEE DS56600 & DS50515 FOR COMPLETE ORDERING INFORMATION

NOTE: METRI-PACK & DIN CABLES ARE AVAILABLE AND MAY BE ORDERED SEPARATELY (SEE DS98546 & DS38082).

WIRING CHART FOR REGULATING MOTORS			
DIN TERMINA	METRI-PACK	WIRE COLOR	CONNECTION*
1	A	RED	+12VDC TO OPEN
2	B	-	NOT USED
3	-	-	NOT USED
FLAT	C	BLACK	-12VDC TO OPEN

TEFLON® IS A TRADEMARK OF DUPONT COMPANY
 VITON® IS A TRADEMARK OF DUPONT DOW ELASTOMERS

*NOTE: REVERSE POLARITY TO CLOSE. REQUIRES DPDT SWITCH.

DESCRIPTION:

346BR
 DIRECTOVALVE®
 ELECTRIC REGULATING
 BALL VALVES



Spraying Systems Co.®
 Spray Nozzles and Accessories
 P.O. Box 7900 - Wheaton, IL 60189-7900

REVISION NO.	2	DATA SHEET	
REFERENCE:	5/27/2015	DS346BR	
SHEET:		DWG SIZE:	A