

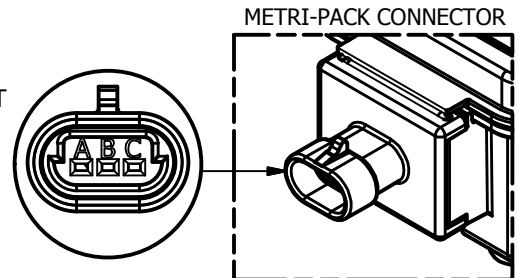
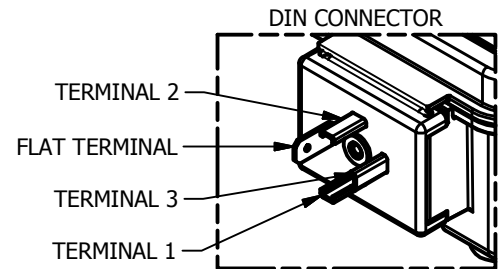
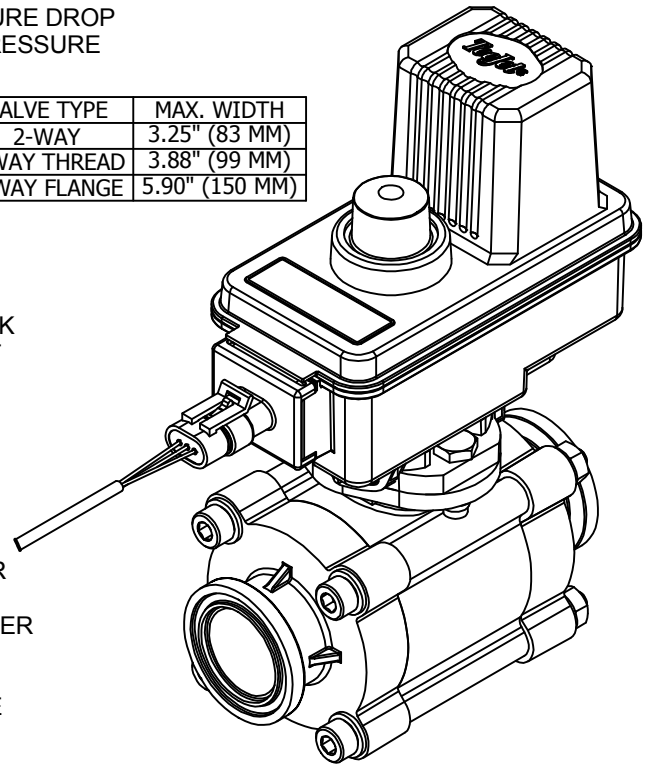
SPECIFICATIONS:

- MAXIMUM PRESSURE RATING: 150 PSI (10 BAR)
- FLOW RATE: 100 GPM (379 L/MIN) @ 5 PSI (.34 BAR) PRESSURE DROP FOR 2-WAY VALVE; 64 GPM (242 L/MIN) @ 5 PSI (.34 BAR) PRESSURE DROP FOR 3-WAY VALVE
- RESPONSE TIME: 0.6 SEC. FROM CLOSED TO OPEN
- CURRENT DRAW: 1.75 AMPS NOMINAL @ 13.8 VDC
- MATERIALS: POLYPROPYLENE, NYLON, STAINLESS STEEL, TEFLON®, AND VITON®
- HEIGHT: 8.50" (216 MM); LENGTH: 6.50" (165 MM)

VALVE TYPE	MAX. WIDTH
2-WAY	3.25" (83 MM)
3-WAY THREAD	3.88" (99 MM)
3-WAY FLANGE	5.90" (150 MM)

FEATURES INCLUDE:

- BUILT-IN DIN CONNECTOR (43650-A) WITH DOUBLE SEAL
- CABLE VERSION STANDARD WITH REMOVABLE METRI-PACK CABLE (SEE DS98546); MOTOR CAN BE ORDERED WITHOUT CABLE
- MOTOR HEAD IS SEALED AND WELDED TO IP67
- QUICK RELEASE MOTOR HEAD ALLOWS MANUAL VALVE OPERATION
- GEARBOX USES DOUBLE WALL CONSTRUCTION TO ADD STRENGTH AND ENSURE PERMANENT LUBRICATION
- ALL METAL GEARS FOR STRENGTH AND DURABILITY
- AUTOMATIC RESETTABLE FUSE (DISCONNECT POWER FOR 20 SECONDS TO RESET)
- AVAILABLE FOR NEGATIVE OR POSITIVE SWITCHED SPRAYER CONTROLS
- BEC STYLE MOTOR USES A SINGLE POLE, SINGLE THROW SWITCH; BE STYLE MOTOR USES A DOUBLE POLE, DOUBLE THROW SWITCH
- INLET AND OUTLET CONNECTIONS AVAILABLE IN 1-1/4" OR 1-1/2" FEMALE THREADS (NPT OR BSPT), 50-SERIES FLANGE OR 75-SERIES FLANGE
- STAINLESS STEEL STEM AND CHOICE OF STAINLESS STEEL OR POLYPROPYLENE BALL PROVIDE EXCELLENT CHEMICAL RESISTANCE (3-WAY BALL ONLY AVAILABLE IN POLY)
- DIRECT COUPLED YELLOW VISUAL INDICATOR TO VERIFY POSITION/OPERATION
- ON 3-WAY VALVES INLET IS SIDE PORT, OUTLET IN "OFF" POSITION IS RIGHT-HAND PORT, OUTLET IN "ON" POSITION IS LEFT-HAND PORT (WHEN VIEWED WITH INLET FACING OPERATOR)



ORDERING INFORMATION:

346BEC-26-C - 0.5-METER METRI-PACK CABLE CONNECTION, 1-1/2" NPT OUTLETS, POSITIVELY SWITCHED, 2-WAY VALVE
 346BEC-3F75-D - DIN CONNECTION, 75-SERIES OUTLETS, POSITIVELY SWITCHED, 3-WAY VALVE
 SEE DS56602 & DS50515 FOR COMPLETE ORDERING INFORMATION

NOTE: METRI-PACK & DIN CABLES ARE AVAILABLE AND MAY BE ORDERED SEPARATELY (SEE DS98546 & DS38082).

WIRING CHART FOR BEC & BE MOTORS				
DIN TERMINAL	METRI-PACK	WIRE COLOR	BEC MOTOR	BE MOTOR*
1	A	RED	CONSTANT +12VDC	+12VDC TO OPEN
2	B	WHITE	SWITCHED +12VDC	NOT USED
3	-	-	NOT USED	NOT USED
FLAT	C	BLACK	GROUND	-12VDC TO OPEN

TEFLON® IS A TRADEMARK OF DUPONT COMPANY
 VITON® IS A TRADEMARK OF DUPONT DOW ELASTOMERS

*NOTE: FOR BE MOTORS REVERSE POLARITY TO CLOSE. REQUIRES DPDT SWITCH.

DESCRIPTION:

346BE AND 346BEC
 DIRECTOVALVE®
 ELECTRIC SHUT-OFF
 BALL VALVES



Spraying Systems Co.®
 Spray Nozzles and Accessories
 P.O. Box 7900 - Wheaton, IL 60189-7900

REVISION NO.	2	DATA SHEET	
REFERENCE:	5/26/2015	DS346BEC	
SHEET:		DWG SIZE:	A