

SPECIFICATIONS:

- MAXIMUM PRESSURE RATING: 300 PSI (20 BAR)
- FLOW RATE: 32 GPM (121 L/MIN) @ 5 PSI (.34 BAR) PRESSURE DROP FOR R VALVE; 27 GPM (102 L/MIN) @ 5 PSI (.34 BAR) PRESSURE DROP FOR RL VALVE; 12 GPM (45 L/MIN) @ 5 PSI (.34 BAR) PRESSURE DROP FOR PR VALVE
- MATERIALS: POLYPROPYLENE, NYLON, STAINLESS STEEL, TEFLON®, AND VITON®
- HEIGHT: 7.75" (197 MM); LENGTH: 6.50" (165 MM)

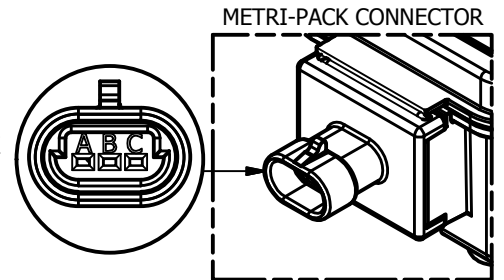
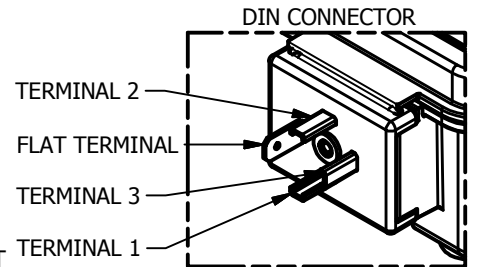
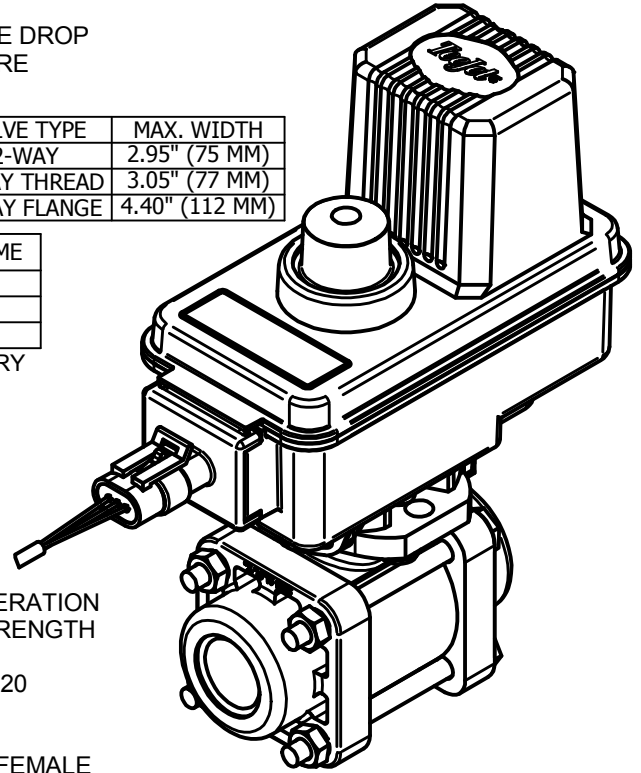
VALVE TYPE	MAX. WIDTH
2-WAY	2.95" (75 MM)
3-WAY THREAD	3.05" (77 MM)
3-WAY FLANGE	4.40" (112 MM)

MOTOR SPEED	CURRENT DRAW*	R, RL CYCLE TIME	PR CYCLE TIME
01 RPM	0.10 AMPS	18 SEC	36 SEC
03 RPM	0.15 AMPS	6 SEC	12 SEC
06 RPM	0.43 AMPS	3 SEC	6 SEC

*CURRENT DRAW IS A NOMINAL RATING @13.8VDC AND WILL VARY DEPENDENT UPON VALVE USAGE AND CHEMICALS USED.

FEATURES INCLUDE:

- BUILT-IN DIN CONNECTOR (43650-A) WITH DOUBLE SEAL
- CABLE VERSION STANDARD WITH REMOVABLE 2-WIRE METRI-PACK CABLE (SEE DS98546); MOTOR CAN BE ORDERED WITHOUT CABLE
- MOTOR HEAD IS SEALED AND WELDED TO IP67
- QUICK RELEASE MOTOR HEAD ALLOWS MANUAL VALVE OPERATION
- GEARBOX USES DOUBLE WALL CONSTRUCTION TO ADD STRENGTH AND ENSURE PERMANENT LUBRICATION
- AUTOMATIC RESETTABLE FUSE (DISCONNECT POWER FOR 20 SECONDS TO RESET)
- USES A DOUBLE POLE, DOUBLE THROW (DPDT) SWITCH
- INLET AND OUTLET CONNECTIONS AVAILABLE IN 3/4" OR 1" FEMALE THREADS (NPT OR BSPT), 50-SERIES FLANGE OR QUICK CONNECT
- STAINLESS STEEL STEM AND CHOICE OF STAINLESS STEEL OR POLYPROPYLENE BALL PROVIDE EXCELLENT CHEMICAL RESISTANCE (PR VALVE NOT AVAILABLE WITH STAINLESS BALL)
- DIRECT COUPLED VISUAL INDICATOR TO VERIFY POSITION/OPERATION
- ON 3-WAY BR VALVES INLET IS SIDE PORT, OUTLET IN "OPEN" POSITION IS LEFT-HAND PORT, OUTLET IN "CLOSED" POSITION IS RIGHT-HAND PORT (WHEN VIEWED WITH INLET FACING OPERATOR)
- ON 3-WAY BPR VALVES INLET IS SIDE PORT, OUTLET IN "OPEN" POSITION IS RIGHT-HAND PORT, OUTLET IN "CLOSED" POSITION IS LEFT-HAND PORT (WHEN VIEWED WITH INLET FACING OPERATOR)



ORDERING INFORMATION:

344BR-23-01C - 0.5-METER METRI-PACK CABLE CONNECTION, 1-RPM (18-SEC), 3/4" NPT OUTLET, 2- WAY R VALVE
 344BRL-2Q-03D - DIN CONNECTION, 3-RPM (6-SEC), QC OUTLET, RL VALVE
 344BPR-3F-06C15 - 1.5-METER METRI-PACK CABLE CONNECTION, 6-RPM (6-SEC), QUICK CONNECT OUTLET, 3-WAY PR VALVE
 SEE DS56600 & DS50515 FOR COMPLETE ORDERING INFORMATION

NOTE: METRI-PACK & DIN CABLES ARE AVAILABLE AND MAY BE ORDERED SEPARATELY (SEE DS98546 & DS38082).

WIRING CHART FOR REGULATING MOTORS			
DIN TERMINAL	METRI-PACK	WIRE COLOR	CONNECTION*
1	A	RED	+12VDC TO OPEN
2	B	-	NOT USED
3	-	-	NOT USED
FLAT	C	BLACK	-12VDC TO OPEN

TEFLON® IS A TRADEMARK OF DUPONT COMPANY
 VITON® IS A TRADEMARK OF DUPONT DOW ELASTOMERS

*NOTE: REVERSE POLARITY TO CLOSE. REQUIRES DPDT SWITCH.

DESCRIPTION:

344BR, 344BRL & 344 BPR
 DIRECTOVALVE®
 ELECTRIC REGULATING
 BALL VALVES



Spraying Systems Co.®
 Spray Nozzles and Accessories
 P.O. Box 7900 - Wheaton, IL 60189-7900

REVISION NO.	1	DATA SHEET DS344BR	SHEET:	DWG SIZE: A
REFERENCE:	3/17/2015			