

SPECIFICATIONS:

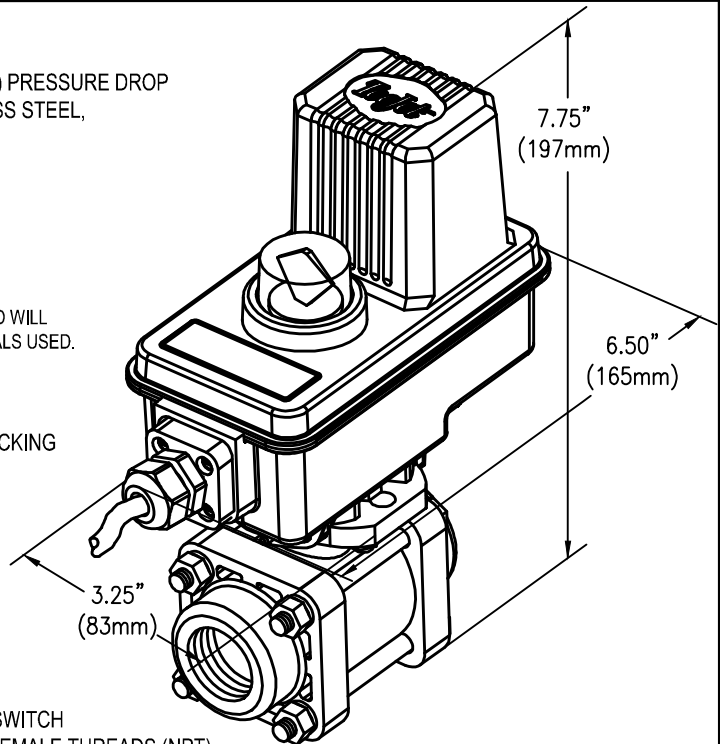
- MAXIMUM PRESSURE RATING: 300 PSI (20 BAR)
- FLOW RATE: 32 GPM (121 L/MIN) @ 5 PSI (.34 BAR) PRESSURE DROP
- MATERIALS: POLYPROPYLENE, NYLON, STAINLESS STEEL, TEFLON®, AND VITON®

MOTOR SPEED (RPM)	CURRENT DRAW (AMPS)*	CYCLE TIME (SEC)
01	0.10	18

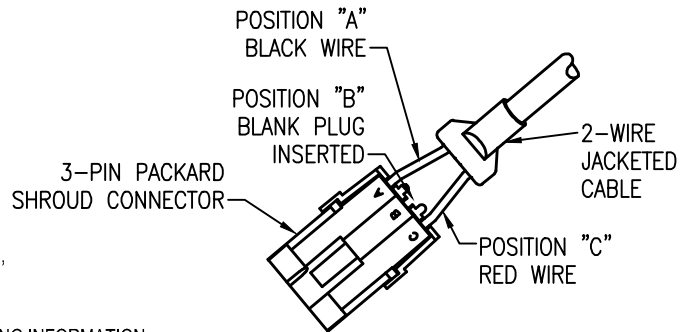
* CURRENT DRAW IS A NOMINAL RATING @13.8VDC AND WILL VARY DEPENDENT UPON VALVE USAGE AND CHEMICALS USED.

FEATURES INCLUDE:

- CABLE FEATURES ROUND POLYURETHANE JACKET AND OVERMOLDED END TO PREVENT WICKING
- MOTOR HEAD IS SEALED AND WELDED TO IP67
- QUICK RELEASE MOTOR HEAD ALLOWS MANUAL VALVE OPERATION
- GEARBOX USES DOUBLE WALL CONSTRUCTION TO ADD STRENGTH AND ENSURE PERMANENT LUBRICATION
- AUTOMATIC RESETTABLE FUSE (DISCONNECT POWER FOR 20 SECONDS TO RESET)
- TWO-WIRE CABLE CONNECTION
- USES A DOUBLE POLE, DOUBLE THROW (DPDT) SWITCH
- INLET AND OUTLET CONNECTIONS FEATURE 1" FEMALE THREADS (NPT)
- STAINLESS STEEL STEM AND POLYPROPYLENE BALL PROVIDE EXCELLENT CHEMICAL RESISTANCE
- DIRECT COUPLED VISUAL INDICATOR TO VERIFY POSITION/OPERATION
- 20-INCH (0.5-METER) LONG CABLE INCLUDES THREE-PIN PACKARD WEATHER PACK SHROUD CONNECTOR WITH PIN OUTS:
A=BLACK, B=NOT USED, C=RED



ELECTRICAL CONNECTOR AND PIN OUTS:



ORDERING INFORMATION:

344BR-24-01COU - 0.5-METER CABLE CONNECTION, 1-RPM, 1" NPT OUTLET, 2-WAY, R VALVE WITH 3-PIN CONNECTOR

SEE DATA SHEETS 56600 & 50515 FOR COMPLETE ORDERING INFORMATION

TEFLON® IS A TRADEMARK OF DUPONT COMPANY
VITON® IS A TRADEMARK OF DUPONT DOW ELASTOMERS

WIRE COLOR	CONNECTION*
RED	+12VDC TO OPEN
BLACK	-12VDC TO OPEN

*NOTE: REVERSE POLARITY TO CLOSE. REQUIRES DPDT SWITCH.

DESCRIPTION:

**344BR-24-01COU
DIRECTOVALVE®
ELECTRIC REGULATING
BALL VALVE**



Spraying Systems Co.®

Spray Nozzles and Accessories
P.O. Box 7900 - Wheaton, IL 60187-7901

Rev. No.

Ref.

DATA SHEET
344BR-24-COU
SHEET OF