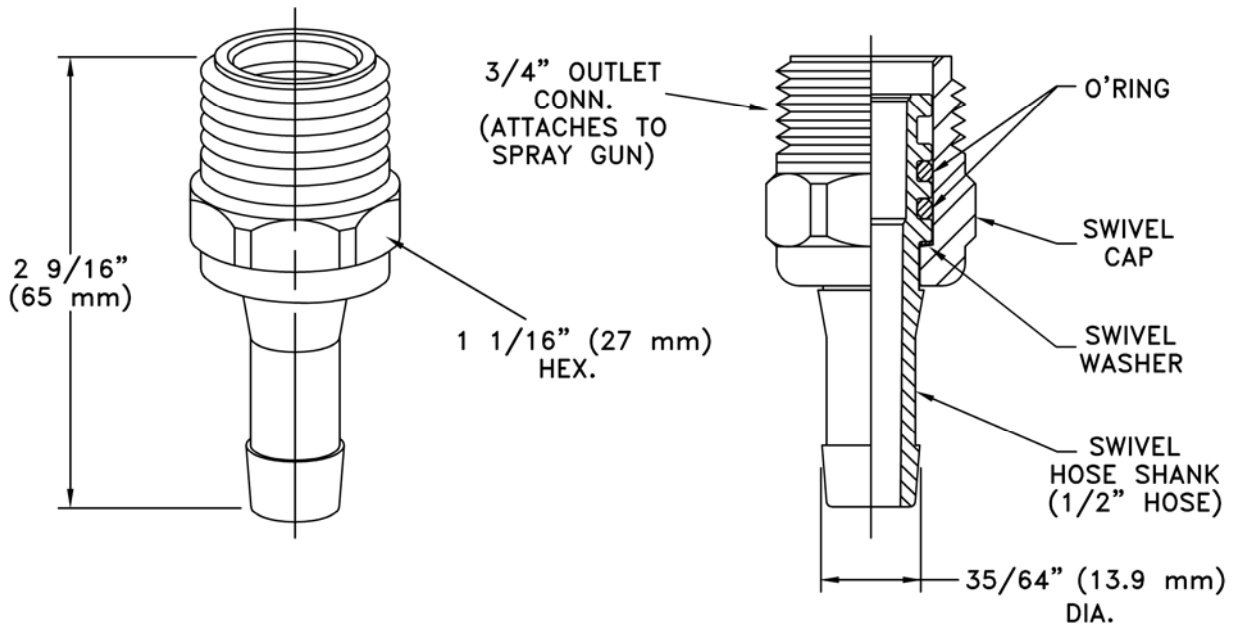


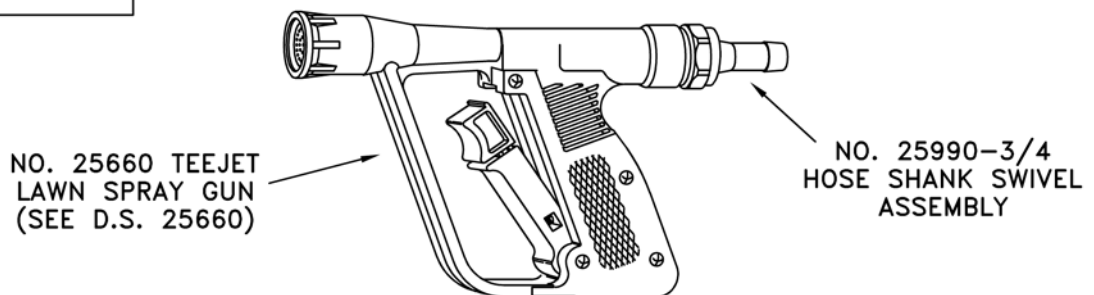
THE NO. 25990-- SWIVEL IS RECOMMENDED FOR USE ON THE INLET CONNECTION OF NO. 25660-- TEEJET LAWN SPRAY GUN OR OTHER SPRAY GUNS TO OFFER FREE SWIVELING ACTION AT THE HOSE CONNECTION.



SWIVEL NO.	OUTLET CONN.	HOSE SHANK SIZE
25990-3/4	3/4" NPT (M)	1/2"
B25990-3/4	3/4" BSPT (M)	1/2"
25990-GGH	3/4" GARDEN HOSE THD.	1/2"

- MATERIAL - NYLON (BLACK) WITH TEFLON COATED VITON O'RINGS AND DELRIN WASHER
- MAXIMUM RECOMMENDED PRESSURE - 150 PSI (10 bar)

### TYPICAL USE



### DESCRIPTION:

NO. 25990--  
HOSE SHANK SWIVEL  
ASSEMBLY



**Spraying Systems Co.®**

Spray Nozzles and Accessories  
P.O. Box 7900 - Wheaton, IL 60189-7900

Rev. No.

Data Sheet No.

25990

Ref.

SHEET OF