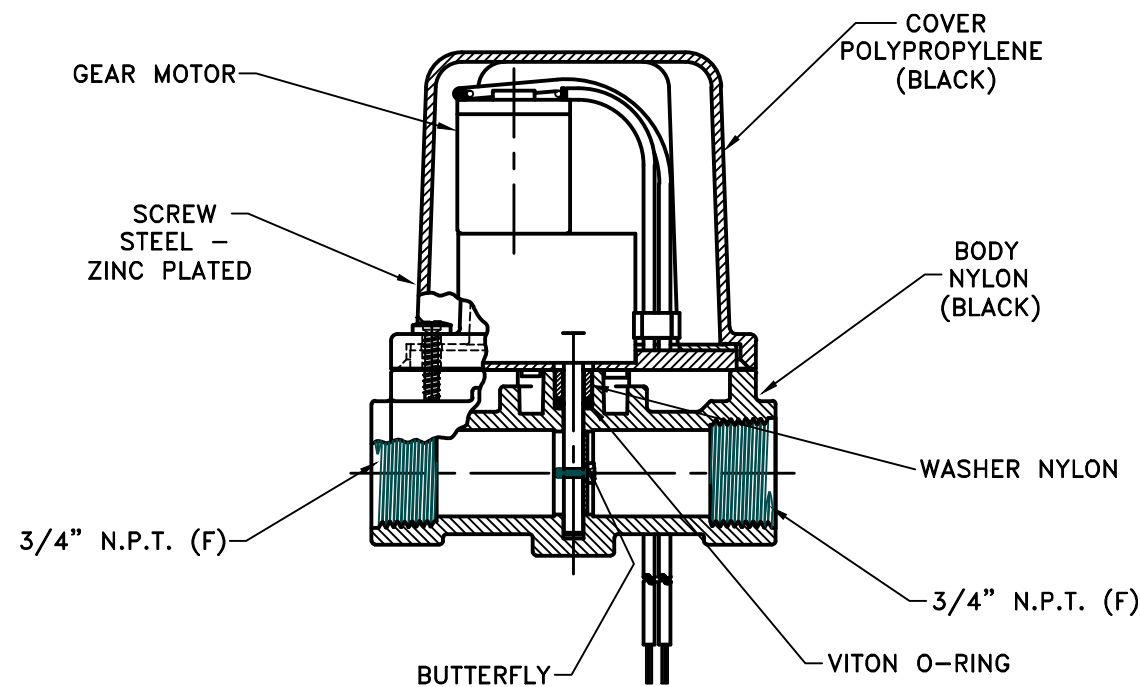
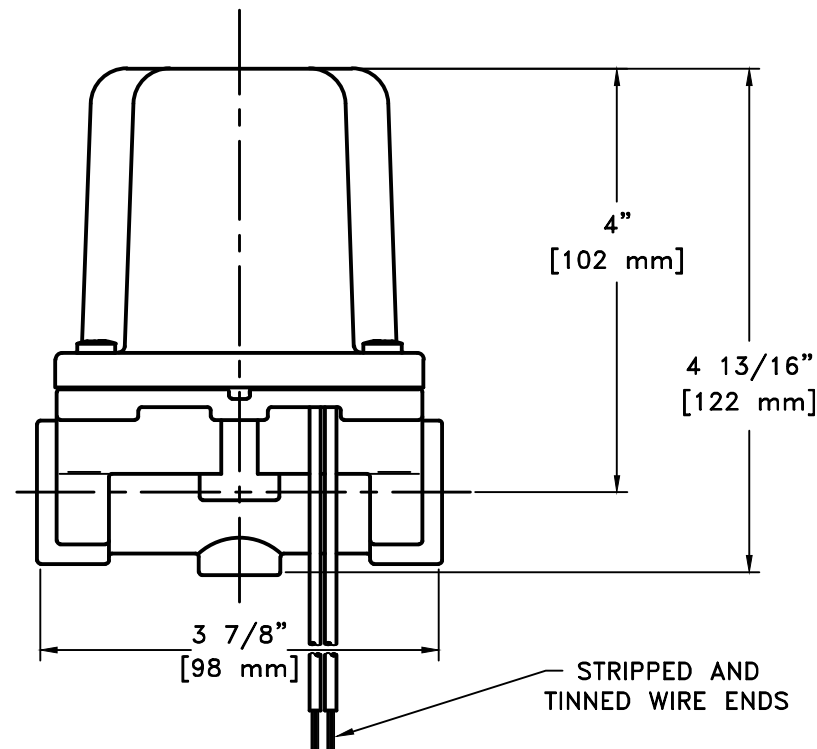


THE NO. 244C REMOTE CONTROL ELECTRIC REGULATING VALVE HAS BEEN SPECIFICALLY DEVELOPED TO PROVIDE REMOTE PRESSURE CONTROL IN AGRICULTURAL SPRAYING APPLICATIONS. IT CAN BE USED WITH THE NO. 144A AND NO. 145 DIRECTVALVES FOR PRESSURE CONTROL ALONG WITH ON-OFF CONTROL FROM WITHIN THE TRACTOR CAB.

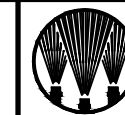


FEATURES

- EASILY INSTALLED IN SYSTEM (FLOWS EITHER DIRECTION).
- MATERIALS OF CONSTRUCTION OFFER GOOD CORROSION RESISTANCE. WETTED METAL PARTS - STAINLESS STEEL.
- COVER AND GASKET PROVIDE INCREASED PROTECTION FOR GEAR MOTOR.
- UNRESTRICTED FLOW WHEN WIDE OPEN (5 PSI [0.34 bar] PRESSURE LOSS FOR 28.4 GPM [107 L/min] FLOW).
- VALVE OPERATES IN ANY 12 VDC SYSTEM AND MAY BE CONTROLLED BY A DOUBLE-POLE DOUBLE-THROW SPRING CENTERED SWITCH.
- LOW CURRENT DRAW (NORMALLY LESS THAN 0.1 AMPS)
- MAXIMUM OPERATING PRESSURE - 100 PSI [7 bar]
- 2 GPM [7.5 L/min] BY-PASS AT 10 PSI [0.7 bar] WHEN IN FULLY CLOSED POSITION.

**NOTE:** PLEASE BE SURE THE 244C PRESSURE REGULATING VALVE IS MOUNTED WITH THE COVER UP.

DESCRIPTION:  
No. 35-50049 REMOTE CONTROL  
ELECTRIC REGULATING VALVE



**Spraying Systems Co.®**

Spray Nozzles and Accessories  
P.O. Box 7900 - Wheaton, Il. 60187-7901

Rev. No. 1

Ref.

Data Sheet No.

**244C-3/4**

SHEET OF