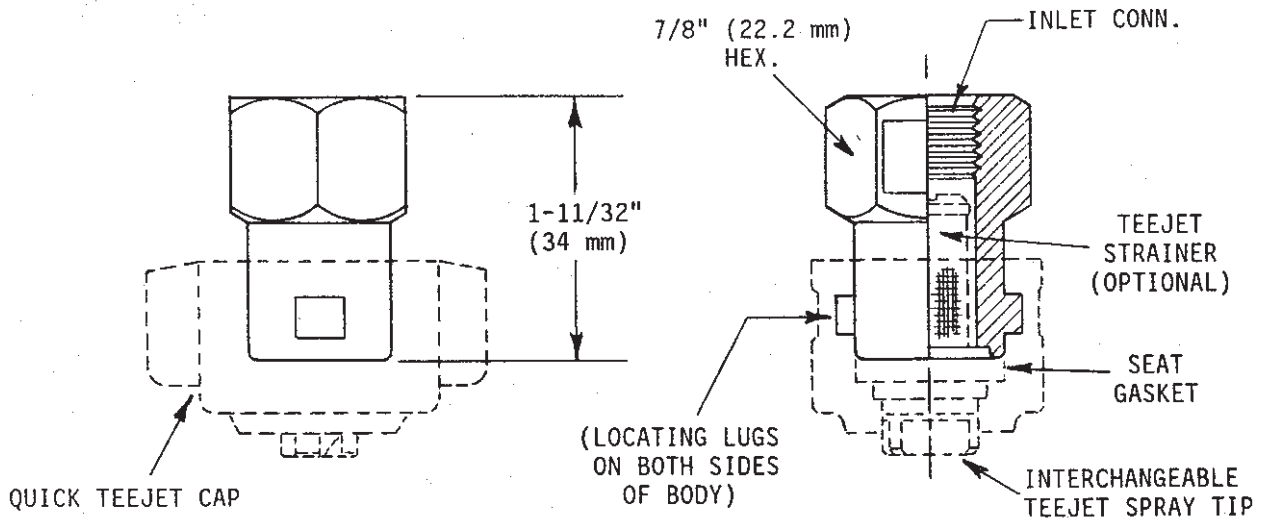


THE QJ1/4T-NYB QUICK TEEJET NOZZLE BODY PERMITS USE OF QUICK TEEJET CAPS AND TEEJET TIPS...TO PROVIDE A QUICK-CHANGE FEATURE TOGETHER WITH SPRAY TIP SELF ALIGNMENT.

U.S. PATENT NOS. 4527745, D280125,  
OTHER U.S. AND FOREIGN PATENTS  
GRANTED OR PENDING.



MATERIAL: MOLDED NYLON (BLACK)

QUICK TEEJET NOZZLE BODY NO.	INLET CONNECTION
QJ1/4T - NYB	1/4" N.P.T. (F)
BQJ1/4T - NYB	1/4" B.S.P.T. (F)

**DESCRIPTION**

QJ1/4T-NYB & BQJ1/4T-NYB  
QUICK TEEJET NOZZLE BODIES

**Spraying Systems Co.**

Spray Nozzles and Accessories

North Avenue and Schmale Road, Wheaton, Illinois 60188

Ref :

Data Sheet No.

Revision No.

**QJ1/4T-NYB**