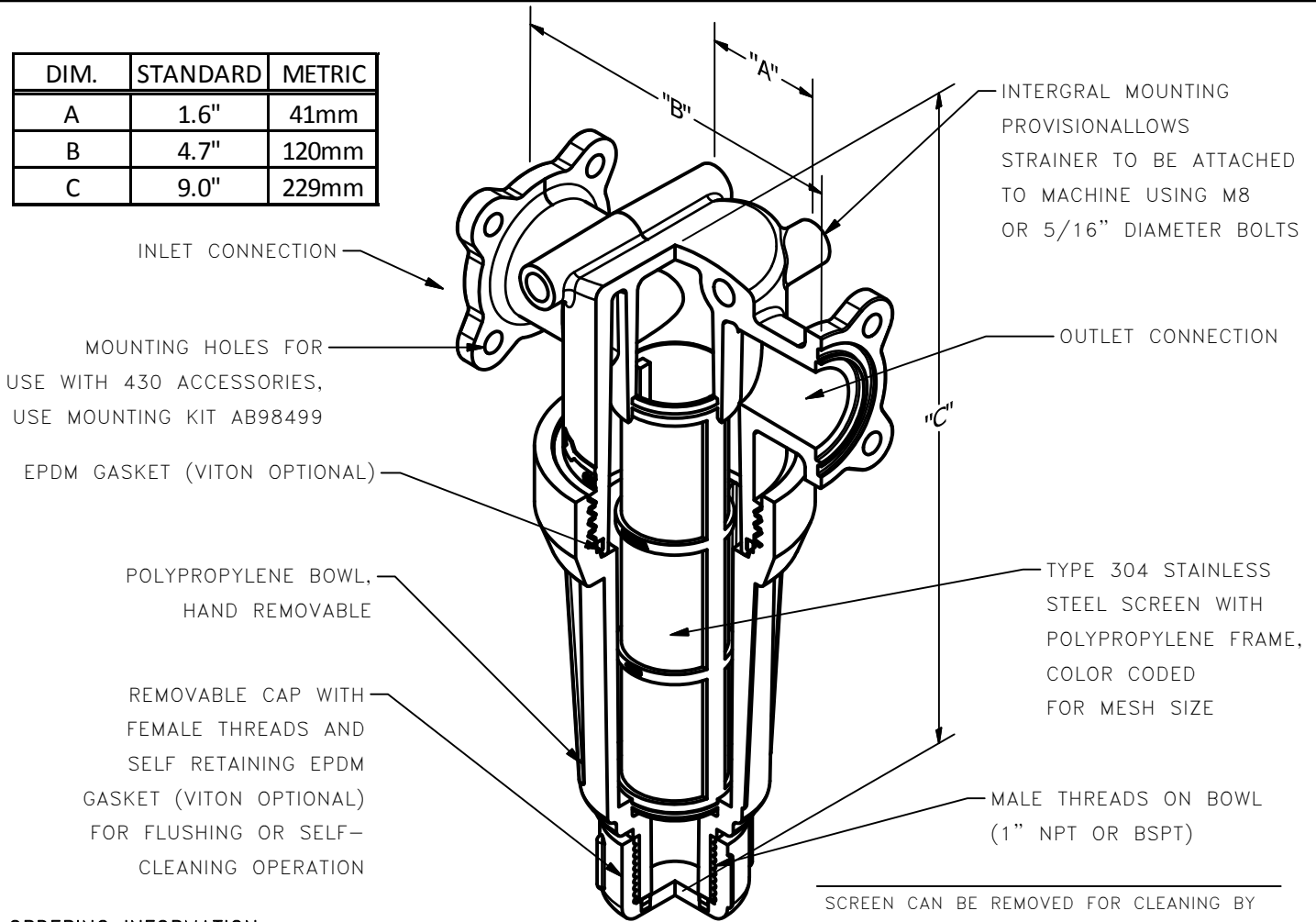


DIM.	STANDARD	METRIC
A	1.6"	41mm
B	4.7"	120mm
C	9.0"	229mm



SCREEN CAN BE REMOVED FOR CLEANING BY UNSCREWING BOWL FROM HEAD. WHEN RE-ATTACHING STRAINER AND BOWL, FIRST PLACE STRAINER IN HEAD, THEN ATTACH BOWL

ORDERING INFORMATION:

NOTE: FOR 430 MANIFOLD WITH ACCESSORIES ORDERING PLEASE REFER TO BULLETIN LITJ-129 & PL430M

MAX RECOMMENDED PRESSURE: 215 PSI (15 bar) AT TEMP. 70°F (20°C):

STRAINER PART NO.*	STRAINER HEAD / BOWL MATERIAL	CP16903-*--SSPP SCREENS			
		MESH SIZE	OPENING	COLOR CODE	FULL AREA
AA(B)126ML-M50-__(-VI)	POLYPROPYLENE	16	.045" (1.1mm)	GREY	17 SQ. IN. (109 cm ²)
		30	.021" (0.53mm)	YELLOW	
		50	.011" (0.28mm)	RED	
		80	.007" (0.18mm)	BLUE	
		100	.006" (0.15mm)	GREEN	
		200	.003" (0.08mm)	ORANGE	

* SPECIFY -VI IN PART NUMBER FOR VITON GASKETS

DESCRIPTION:

AA126ML-M50-__(-VI)
430 MANIFOLD ACCESSORY
LINE STRAINER



Spraying Systems Co.[®]

Spray Nozzles and Accessories
P.O. Box 7900 - Wheaton, IL 60187-7901

REVISION NO.

REFERENCE:

3/28/2010

DATA SHEET

DS126ML-M50

SHEET:

1 OF 1

DWG SIZE:

A