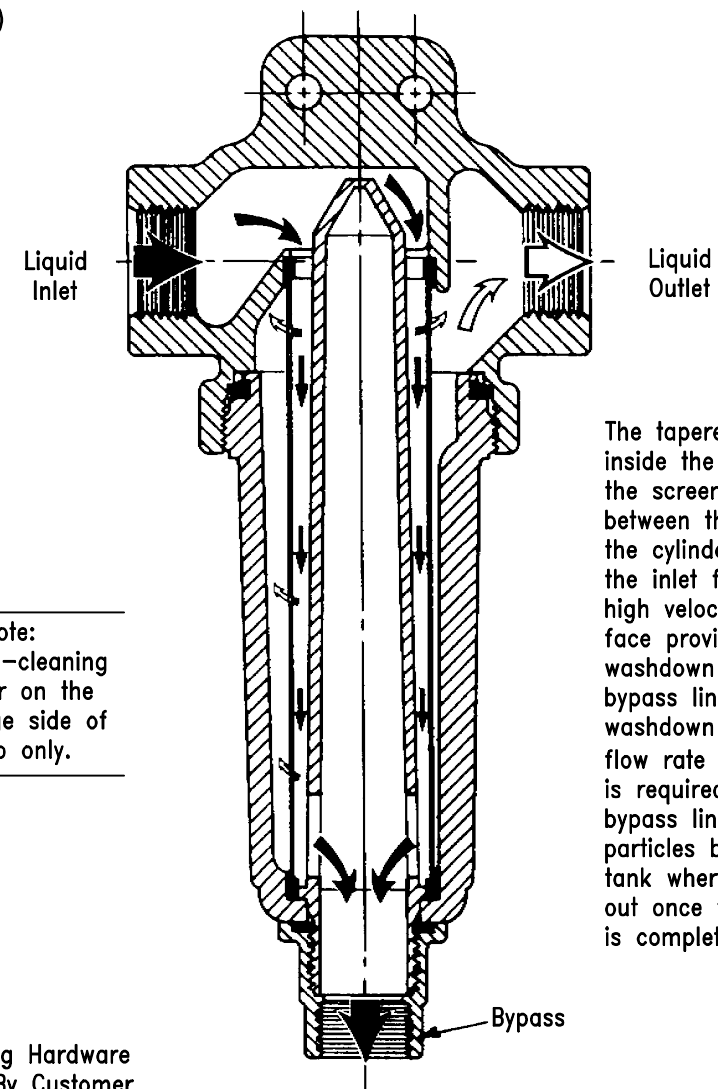


LIQUID FLOW DIAGRAM



The tapered inner cylinder inside the entire length of the screen provides a gap between the screen face and the cylinder. This gap causes the inlet fluid to flow at a high velocity past the screen face providing for a continuous washdown of particles to the bypass line. In order for the washdown to occur, a minimum flow rate of 6 GPM (23 l/min) is required through the bypass. The bypass line returns the particles back to the source tank where they can be cleaned out once the spraying operation is complete.

Note:
Use self-cleaning strainer on the discharge side of pump only.

* Mounting Hardware Supplied By Customer

Maximum Recommended Pressure - 150 PSI (10 bar)

STRAINER No.	PIPE CONN. (FEMALE)	BYPASS CONN. (FEMALE)	SCREENS				NET WEIGHT
			MESH SIZE	OPENING	MESH SIZE	FULL AREA	
AA124ML-3/4SC-AL	AA124ML-3/4SC-AL	1/2" NPT	16	.045" (1.1 mm)	None	17 Sq. In. (109 cm ²)	20 oz. (0.56 kg)
AA124ML-1SC-AL	AA124ML-1SC-AL		30	.021" (0.53 mm)	Brown Red		
AAB124ML-3/4SC-AL	AAB124ML-3/4SC-AL	1/2" BSPT	50	.011" (0.28 mm)	Gentian Blue		
AAB124ML-1SC-AL	AAB124ML-1SC-AL		80	.007" (0.18 mm)	Zinc Yellow		

Description:
AA_124ML-3/4SC-AL &
AA_124ML-1SC-AL
Self-Cleaning Liquid Strainers



Spraying Systems Co.[®]
Spray Nozzles and Accessories
P.O. Box 7900 - Wheaton, IL 60187-7901

Rev. No. 1
Ref.

Data Sheet No.
124ML-3/4-SC
Sheet Of