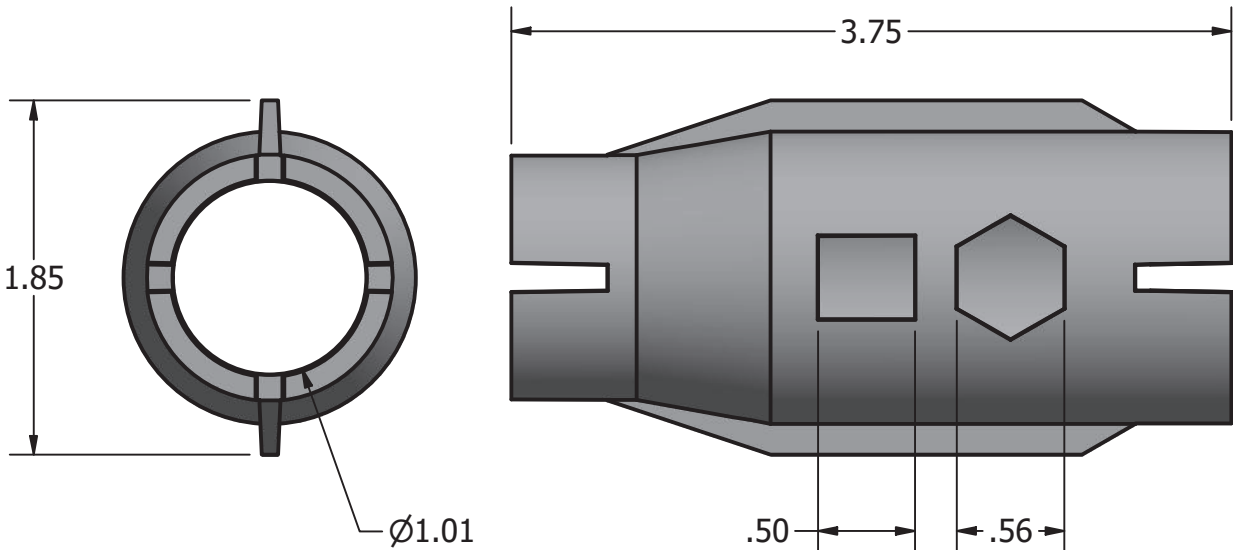
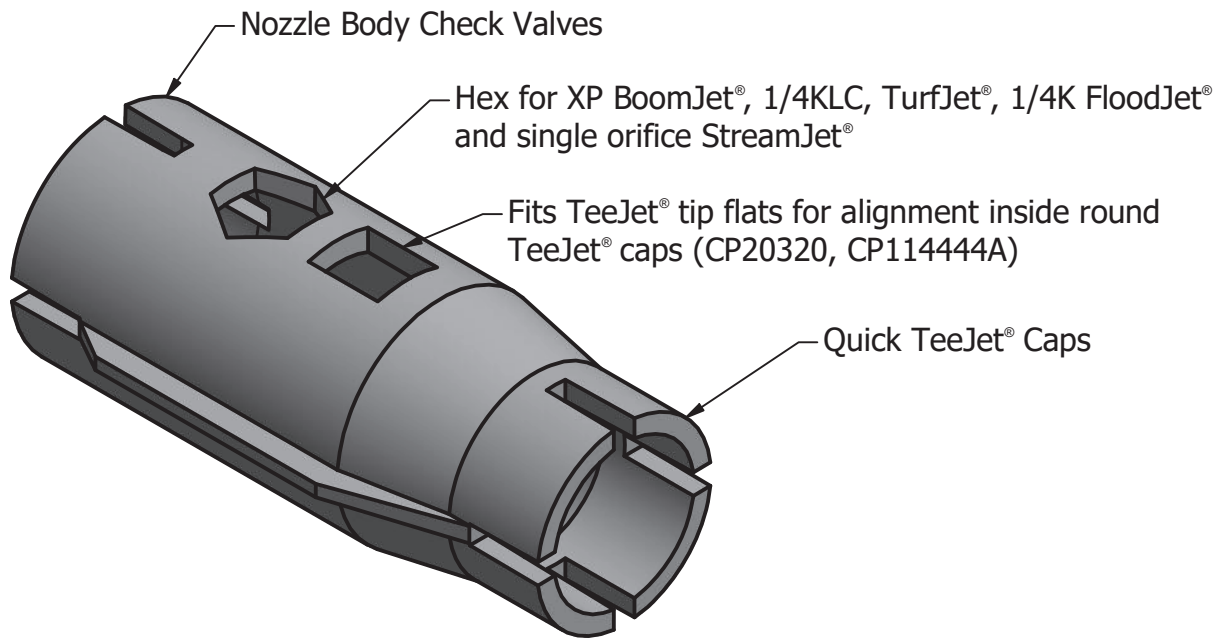


Quick TeeJet® Cap Installation and Removal Tool



FEATURES:

- NYLON CONSTRUCTION FOR EXCELLENT CHEMICAL COMPATIBILITY AND DURABILITY

HOW TO ORDER:

- CP116232-NY

DESCRIPTION:

QUICK TEEJET® CAP
INSTALLATION AND REMOVAL TOOL

TeeJet®
TECHNOLOGIES

REVISION NO.

1

REFERENCE:

3/12/2020

Data Sheet No.

DS116232

SHEET:

1 OF 1

DWG SIZE:

A