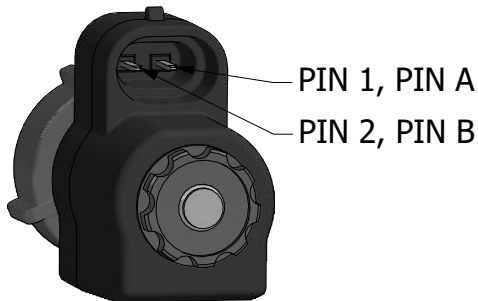


FEATURES:

- ELECTRIC SOLENOID SHUT-OFF VALVE
- VALVE IS NORMALLY CLOSED FOR SAFETY
- MAXIMUM 100 PSI (7 BAR) SPRAYING PRESSURE AT MINIMUM VOLTAGE (24V)
- 0.6 GPM (2.27 LPM) AT 5 PSI (0.34 BAR) PRESSURE DROP
- 0.8 GPM (3.41 LPM) AT 10 PSI (0.69 BAR) PRESSURE DROP
- ALL WETTABLE PARTS ARE STAINLESS STEEL OR VITON® EQUIVALENT
- CURRENT DRAW OF 0.45 AMPS (10 WATTS) AT 24 VOLTS
- ELECTRIC CHARGE ENERGIZES THE SOLENOID COIL TO OPEN THE VALVE
- REMOVAL OF THE CHARGE ALLOWS A SPRING TO CLOSE THE VALVE
- REQUIRES 98552 CABLE w/ 2-PIN FEMALE SUPERSEAL 1.5 CONNECTOR

WIRING CHART

PIN TERMINAL	WIRING
1	(+) POSITIVE
2	(-) NEGATIVE
NOTE: (+) & (-) TERMINALS CAN BE INTERCHANGED.	



HOW TO ORDER: 115880-__-24-__

TYPE (SEE APPLICATION CHART) →

VOLTAGE →

CABLE LENGTH CODE →

BLANK = NO CABLE

05 = 0.5 METER (20")

15 = 1.5 METER (60")

30 = 3.0 METER (120")

60 = 6.0 METER (240")

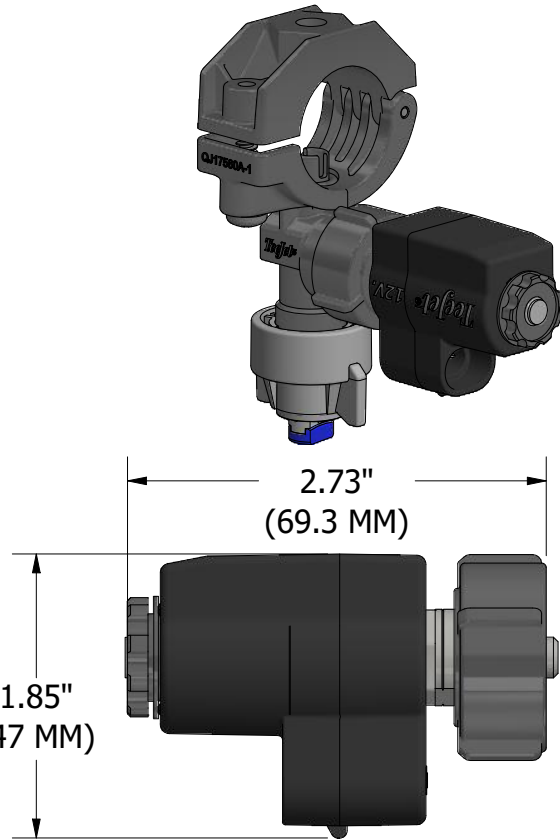
200 = 20.0 METER (800")

98552-2-__: CABLE (SEE DATA SHEET DS98552)

VITON® IS A TRADEMARK OF THE CHEMOURS COMPANY

DESCRIPTION:

115880-24 e-CHEMSAVER® SOLENOID OPERATED ELECTRIC SHUT-OFF VALVE



NOTE: IT IS RECOMMENDED TO INCLUDE A LINE STRAINER OF 80 MESH OR FINER WITH ALL e-CHEMSAVER® APPLICATIONS

APPLICATION CHART

TEEJET NOZZLE BODY	e-CHEMSAVER P/N
QJ8360, QJT8360, 8360	115880-1-24
QJ17560A	115880-1-24
QJP19011	115880-1-24
QJ200 SERIES	115880-1-24
QJ300 SERIES	115880-1-24
QJ360E	115880-1-24
QJ39685	115880-1-24
13431	115880-1-24
24216A, 24230A, 24231A	115880-1-24
PUSH-TO-CONNECT SERIES	115880-1-24
QJ360C, QJ360F	115880-2-24
QJ370	115880-2-24
QJ22187	115880-2-24
QJ8355, 8355	115880-2-24
QJS SERIES	115880-4-24



REVISION NO.	Data Sheet No.		
REFERENCE:	DS115880-24		
06/13/18	SHEET: 1 OF 1	DWG SIZE:	A