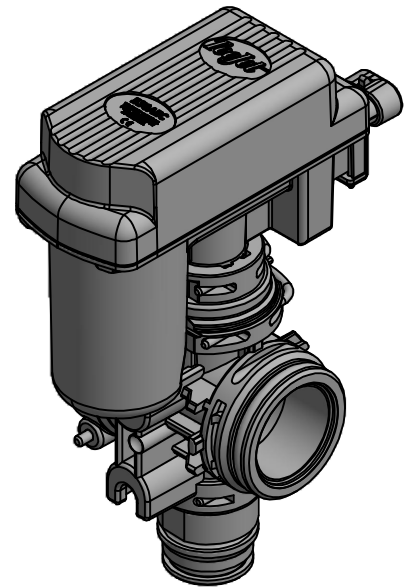


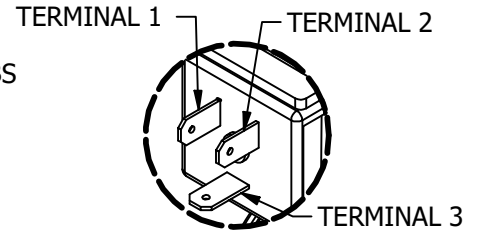
**SPECIFICATIONS:**

- MAXIMUM PRESSURE RATING: 290 PSI (20 BAR)
- FLOW RATE: 10 GPM @ 5 PSI (37.9 L/MIN @ 0.34 BAR) PRESSURE DROP
- FLOW RATE: 14 GPM @ 10 PSI (53.0 L/MIN @ 0.68 BAR) PRESSURE DROP
- CURRENT DRAW: 0.5 A
- RESPONSE TIME: 0.7 SEC
- WETTED MATERIALS: POLYPROPYLENE, NYLON, STAINLESS STEEL, FKM
- LENGTH: 5.1" (129 MM); HEIGHT: 7.8" (198 MM); WIDTH 2.9" (73 MM)

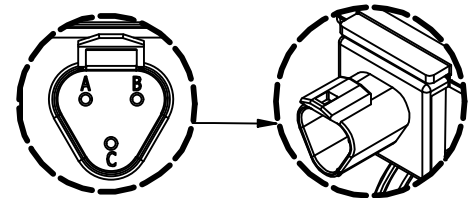


**FEATURES INCLUDE:**

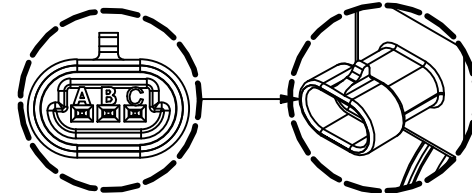
- MODULAR CLIPPED BODY ALLOWS FOR TOOL FREE ASSEMBLY OF VARIOUS ACCESSORIES AND MANIFOLD COMPONENTS
- SOLID STATE CIRCUIT BOARD WITH OPTICAL SWITCHING
- MOTOR HEAD SEALED TO IP69K
- CHOICE OF MINI-DIN, DEUTSCH OR METRI-PACK CONNECTOR
- QUICK RELEASE MOTOR HEAD ALLOWS FOR EASY FIELD INSPECTION
- RESETTABLE INTERNAL FUSE (DISCONNECT POWER FOR 20 SECONDS TO RESET)
- "EC" STYLE MOTOR REQUIRES A SINGLE POLE, SINGLE THROW SWITCH
- "E" STYLE MOTOR REQUIRES A DOUBLE POLE, DOUBLE THROW SWITCH
- OUTLET CONNECTIONS AVAILABLE IN STRAIGHT DIRECT HOSE BARBS AND QUICK CONNECT STRAIGHT OR 90° HOSE BARBS; REFER TO PL45529
- FOR INLET CONNECTIONS, REFER TO PL191016
- STAINLESS STEEL STEM PROVIDES EXCELLENT DURABILITY AND CHEMICAL RESISTANCE
- "EC" STYLE MOTOR COMPATIBLE WITH TEEJET® AUTOMATIC BOOM SECTION CONTROLS
- MOUNTING FEATURE REQUIRES M8 BOLT



MINI-DIN CONNECTION



DEUTSCH CONNECTION



METRI-PACK CONNECTION

**ORDERING INFORMATION:**

- C530AEC-2-D: CLIPPED 1 VALVE MANIFOLD, 2-WAY VALVE, MINI-DIN CABLE CONNECTION, SINGLE POLE SINGLE THROW
- C533AE-2-Q: CLIPPED 3 VALVE MANIFOLD 2-WAY VALVE, DEUTSCH CONNECTION, DOUBLE POLE DOUBLE THROW
- C535AEC-2-P: CLIPPED 5 VALVE MANIFOLD, 2-WAY VALVE, METRI-PACK CONNECTION, SINGLE POLE SINGLE THROW

WIRING CHART FOR EC & E MOTORS					
MINI-DIN	METRI-PACK	DEUTSCH	WIRE COLOR	EC MOTOR	E MOTOR*
1	A	A	RED	CONSTANT +12VDC	+12VDC TO OPEN
3	B	B	WHITE	SWITCHED +12VDC	NOT USED
2	C	C	BLACK	GROUND	-12VDC TO OPEN

\*FOR E MOTORS REVERSE POLARITY TO CLOSE; REQUIRES DPDT SWITCH

**DESCRIPTION:**

**C530AEC AND C530AE  
2-WAY CLIPPED DIRECTOVALVE®  
ELECTRIC SHUT-OFF  
PLUNGER VALVE MANIFOLD**



REVISION NO. 2	Data Sheet No. <b>DSC530AEC-2</b>	
REFERENCE: 2/21/25	SHEET: 1 OF 1	DWG SIZE: A