

HOW TO ORDER: C530A MANIFOLD

(B) C530A

OUTLET THREADS	
BLANK	ALL THREADS TO BE N.P.T.
B	ALL THREADS TO BE B.S.P.T.

MOTOR SPECIFICATIONS	
E	E SHUT-OFF
EC	EC SHUT-OFF
M	MANUAL HANDLE

VALVE TYPE	
2	2-WAY VALVE
3	3-WAY VALVE
FB	FLOW BACK*

*NOTE: FLOW BACK IS NOT AVAILABLE W/MANUAL VALVE

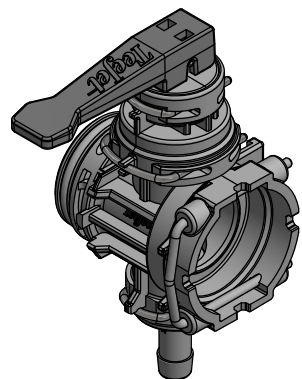
OUTLET FITTINGS	
BLANK	QUICK CONNECT**
3/8H	3/8" HOSE BARB
1/2H	1/2" HOSE BARB
1/2T	1/2" THREAD*
5/8H	5/8" HOSE BARB
3/4H	3/4" HOSE BARB
3/4T	3/4" THREAD*

*NOTE: THREAD TYPE (N.P.T. OR B.S.P.T.) SPECIFIED IN "OUTLET THREADS" BOX

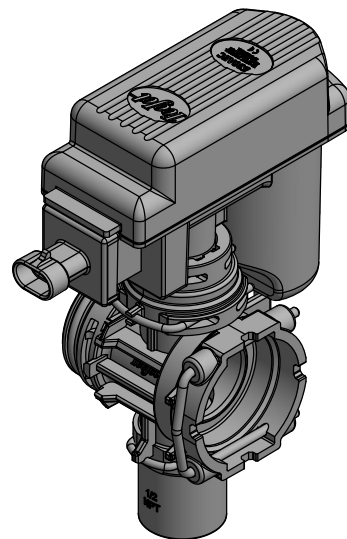
**FOR QC OUTLETS, SEE PL45529

MOTOR TYPE	
BLANK	MANUAL VALVE
P	POSITIVELY SWITCHED WITH METRI-PACK CONNECTOR
PN	NEGATIVELY SWITCHED WITH METRI-PACK CONNECTOR
D	POSITIVELY SWITCHED WITH DIN CONNECTOR
DN	NEGATIVELY SWITCHED WITH DIN CONNECTOR
Q	POSITIVELY SWITCHED WITH DEUTSCH CONNECTOR
QN	NEGATIVELY SWITCHED WITH DEUTSCH CONNECTOR

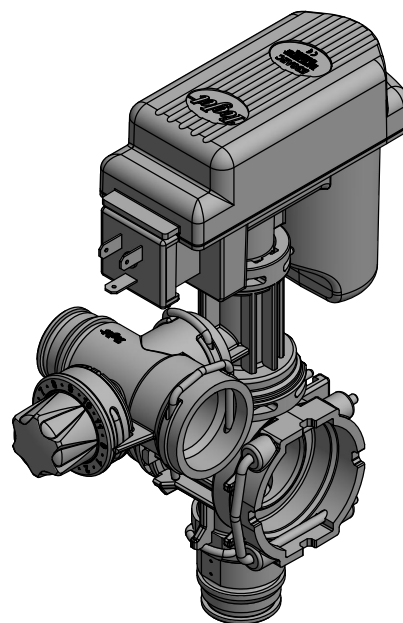
*NOTE: FOR CABLE OPTIONS, SEE DSC530AEC-2



PART NUMBER: C530AM-2-1/2H



PART NUMBER: C530AEC-2-1/2H-P



PART NUMBER: C530AEC-3-D

DESCRIPTION:
HOW TO ORDER FOR
C530AEC AND C530AM
ELECTRIC/MANUAL SHUT-OFF
PLUNGER MANIFOLD

TeeJet
TECHNOLOGIES

REVISION NO.	1	Data Sheet No.	
REFERENCE:	04/28/26	DS191000	
SHEET:	1 OF 1	DWG SIZE:	B