

A

B

C

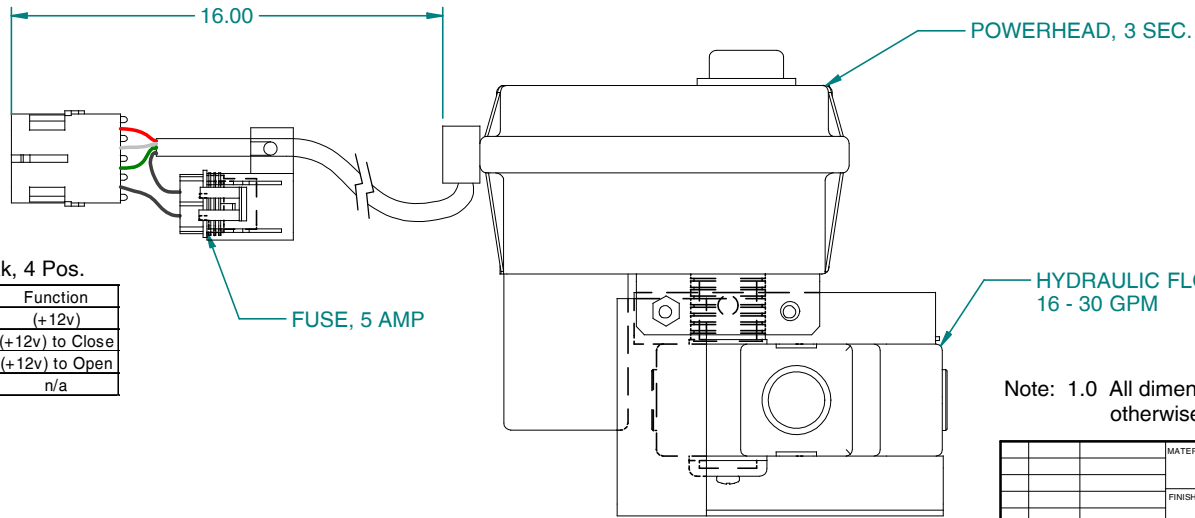
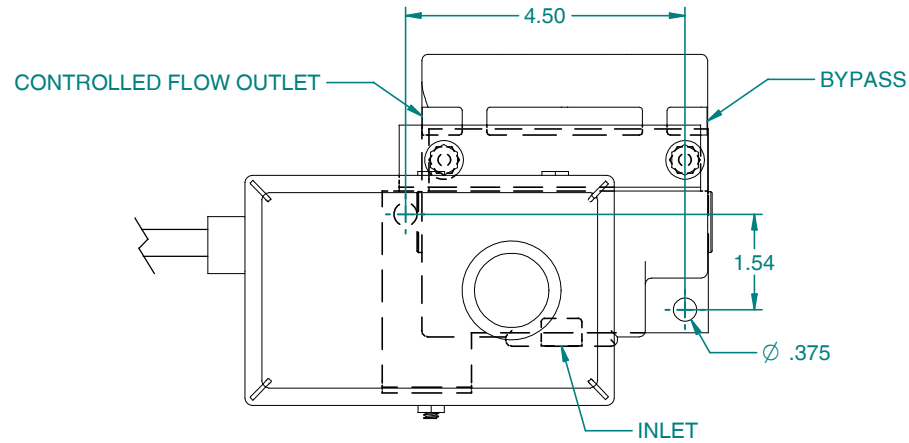
D

1

2

3



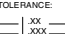
4



WeatherPak, 4 Pos.

Position	Color	Function
A	Black	(+12v)
B	Green	(+12v) to Close
C	White	(+12v) to Open
D	Red	n/a

Note: 1.0 All dimensions are displayed in "Inches" Unless otherwise specified.

MATERIAL:		N.A.			
FINISH:		N.A.			
PROJECTION:		SCALE:	UNITS:	DRAWN BY: <i>Rayon Reiser</i>	
		1/1	INCH	CHECKED BY: <i>Scott Kauder</i>	
UNLESS OTHERWISE SPECIFIED TOLERANCE:		10-60° ± .1°		APPROVED BY: <i>Scott Kauder</i>	
0-1" ± .1°		90-120° ± .2°		SHEET No: 1 of 1	
1-5" ± .25°		120° ± .3°		DWS No: C-879-2030	
5-10" ± .5°					
Midwest Technologies IL, LLC. Claims proprietary right in the material disclosed herein. This document is not to be used in any way detrimental to the interest of Midwest Technologies IL, LLC.					