

A

B

C

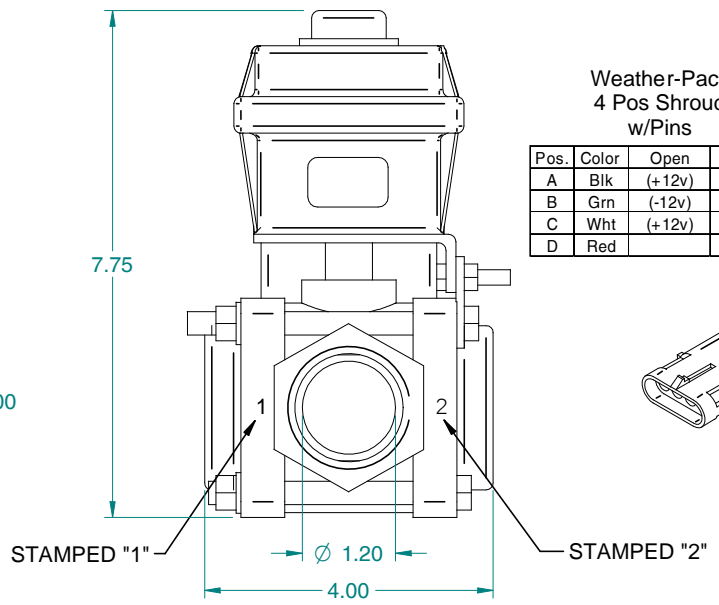
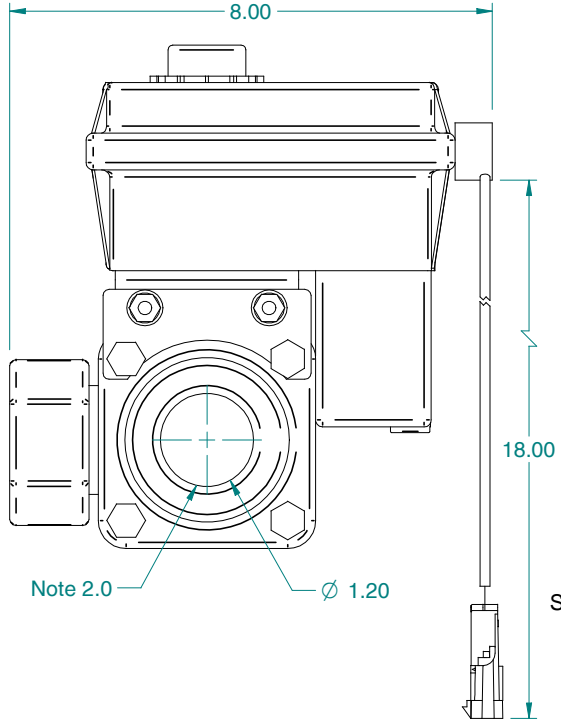
D

1

2

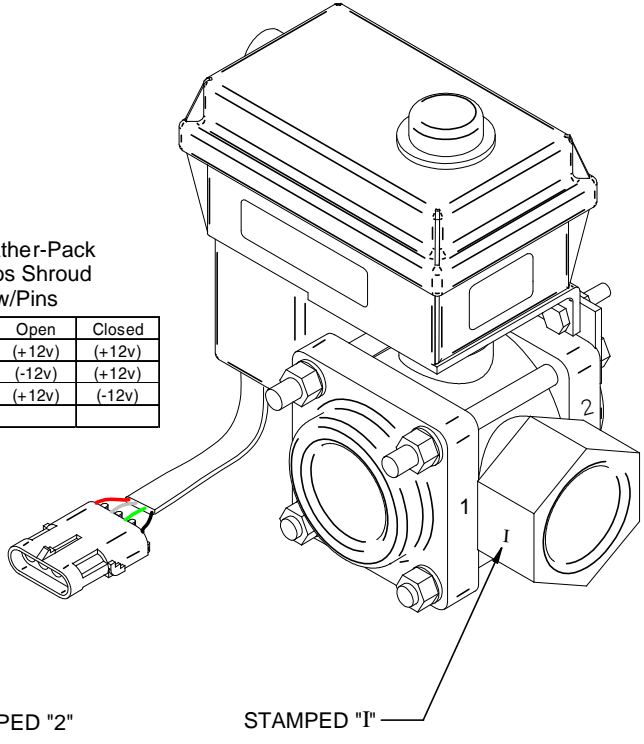
3

4



Weather-Pack
4 Pos Shroud
w/Pins

Pos.	Color	Open	Closed
A	Blk	(+12v)	(+12v)
B	Grn	(-12v)	(+12v)
C	Wht	(+12v)	(-12v)
D	Red		



Note: 1.0 Valve Body-Nylon
2.0 1" NPT

MATERIAL:		See Notes		MID-TECH MIDWEST TECHNOLOGIES IL, LLC	
FINISH:		See Notes		TITLE: VALVE, AUTORANGE 1" PP, #50 WIRING 3 SEC.	
R3	2/8/05	UpDated	PROJECTION:	SCALE: UNITS: X	DRAWN BY: J.D. Martin
R2	4/20/00	99364-2		1:2 INCH METRIC:	CHECKED BY: Amy Neukirch
R1	9/15/99	99083-4	UNLESS OTHERWISE SPECIFIED TOLERANCE:		
R0	1/17/97	First Issue	0-1" ± .1"	10-60" ± .1"	XX
REV.	DATE	DOC. No	1-5" ± .25"	60-120" ± .2"	XXX
			5-10" ± .5"	120" ± .3"	Z
			SHEET No: 1 of 1		DWG No: C-879-0071
Midwest Technologies IL, LLC. Claims Proprietary Right in the Material Disclosed Hereon. This Document is not to be used in any way Detrimental to the Interest of Midwest Technologies IL, LLC.					