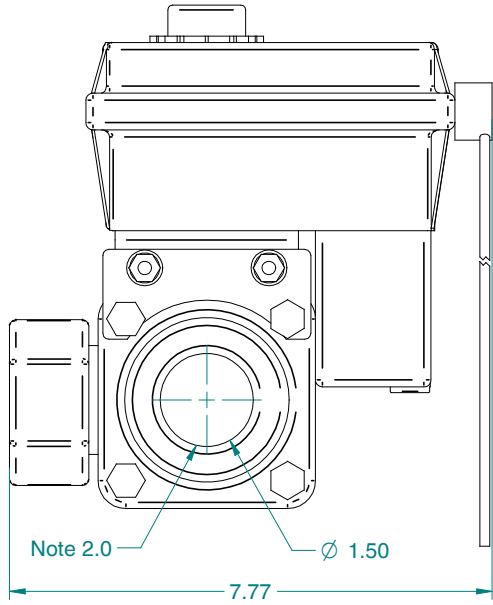
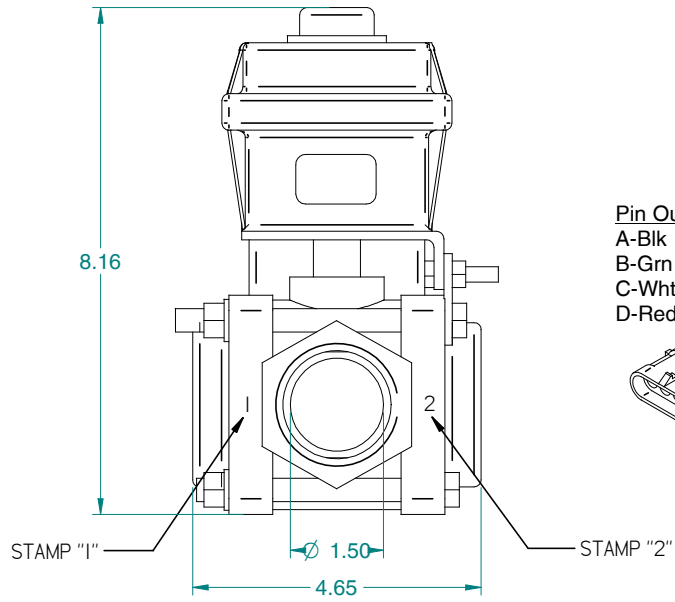


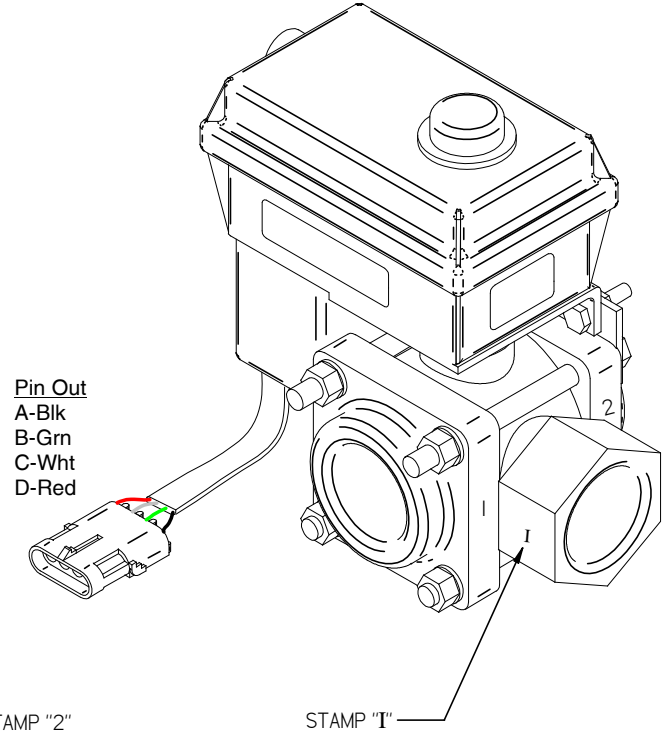
A



B





C



D

Note: 1.0 Valve Body-Nylon
2.0 1-1/2" NPT

| | | | | | |
|---|---------|---|--|---|--------------------|
| MATERIAL: | | See Notes | |  MIDWEST TECHNOLOGIES IL, LLC | |
| FINISH: | | See Notes | | TITLE: VALVE, AUTORANGE 1 1/2" SST, #50 WIRING 3 SEC. | |
| PROJECTION: | | SCALE: | UNITS: | DRAWN BY: <i>A.D. Martin</i> | |
|  | | 1:2 | X | CHECKED BY: <i>Andy Neuhans</i> | |
| UNLESS OTHERWISE SPECIFIED TOLERANCE: | | 0-1" +/- .1" 10-60" +/- .1" 3XX 1-5" +/- .25" 60-120" +/- .2" 2XX 5-10" +/- .5" 120" +/- .3" 1X | | APPROVED BY: <i>Daniel Stewart</i> | |
| RO | 8/21/01 | 99364-2 | SHEET No: 1 of 1 | | DWG No: C-879-0004 |
| REV. | DATE | DOC. No. | Midwest Technologies IL, LLC. Claims Proprietary Right in the Material Disclosed Hereon. This Document is not to be used in any way Detrimental to the Interest of Midwest Technologies IL, LLC. | | |